

# BALDOR ECP84404T-4 Servo motor manual

<http://www.manuallib.com/baldor/ecp84404t-4-servo-motor-manual.html>

Revision: D Status: PRD/A Change #: Proprietary: No  
Type: AC Prod. Type: A4072M Elec. Spec: A40WG1505 CD Diagram:  
Enclosure: TEFC Mfg Plant: Mech. Spec: Layout:  
Frame: 405T Mounting: F1 Poles: 06 Created Date: 05-23-2012  
Base: Rotation: R Insulation: F Eff. Date: 06-29-2012  
Leads: 3#2 Literature: Elec. Diagram: Replaced By:

ManualLib.com collects and classifies the global product instruction manuals to help users access anytime and anywhere, helping users make better use of products.

<http://www.manuallib.com>

# **BALDOR**® • *RELIANCE*

## Product Information Packet

# **ECP84404T-4**

**75HP, 1185RPM, 3PH, 60HZ, 405T, A4072M, TEFC, F**

Copyright © All product information within this document is subject to Baldor Electric Company copyright © protection, unless otherwise noted.

Part Detail							
Revision:	D	Status:	PRD/A	Change #:		Proprietary:	No
Type:	AC	Prod. Type:	A4072M	Elec. Spec:	A40WG1505	CD Diagram:	
Enclosure:	TEFC	Mfg Plant:		Mech. Spec:		Layout:	
Frame:	405T	Mounting:	F1	Poles:	06	Created Date:	05-23-2012
Base:		Rotation:	R	Insulation:	F	Eff. Date:	06-29-2012
Leads:	3#2	Literature:		Elec. Diagram:		Replaced By:	

**Nameplate 000613007ET**

CAT NO	ECP84404T-4	SPEC NO.	A40-1015-1505				
HP	75	AMPS	86.8	VOLTS	460	DESIGN	B
FRAME SIZE	405T	RPM	1185	HZ	60	AMB	40 SF 1.15
D.E. BRG.	80BC03J30X	PH	3	DUTY	CONT	INSUL.CLASS	F
O.D.E. BRG.	80BC03J30X	TYPE	P	ENCL	TEFC	CODE	G
D.E.BRG.DATA	6316	POWER FACTOR	86	NEMA-NOM-EFFICIENCY	94.5		
O.D.E.BRG.DATA	6316	MAX CORR KVAR	16.0	GUARANTEED EFFICIENCY	93.6		
3/4 LOAD EFF.	94.9	NEMA NOM/CSA QUOTED EFF					
SER.NO.		MOTOR WEIGHT					

Nameplate 000613007EX				
CAT NO	ECP84404T-4	SPEC NO.	A40-1015-1505	
NO. ROTOR BARS	71	GREASE TYPE	POLYREX EM	
NO. SLOTS	90	IEEE 85 NOISE LEVEL	90DBA	
5 YEAR WARRANTY		MFG. DATE		
NL AMPS AT RATED VOLTAGE	26.6	WINDING RES @25 C	0.087	OHMS
SER.NO				

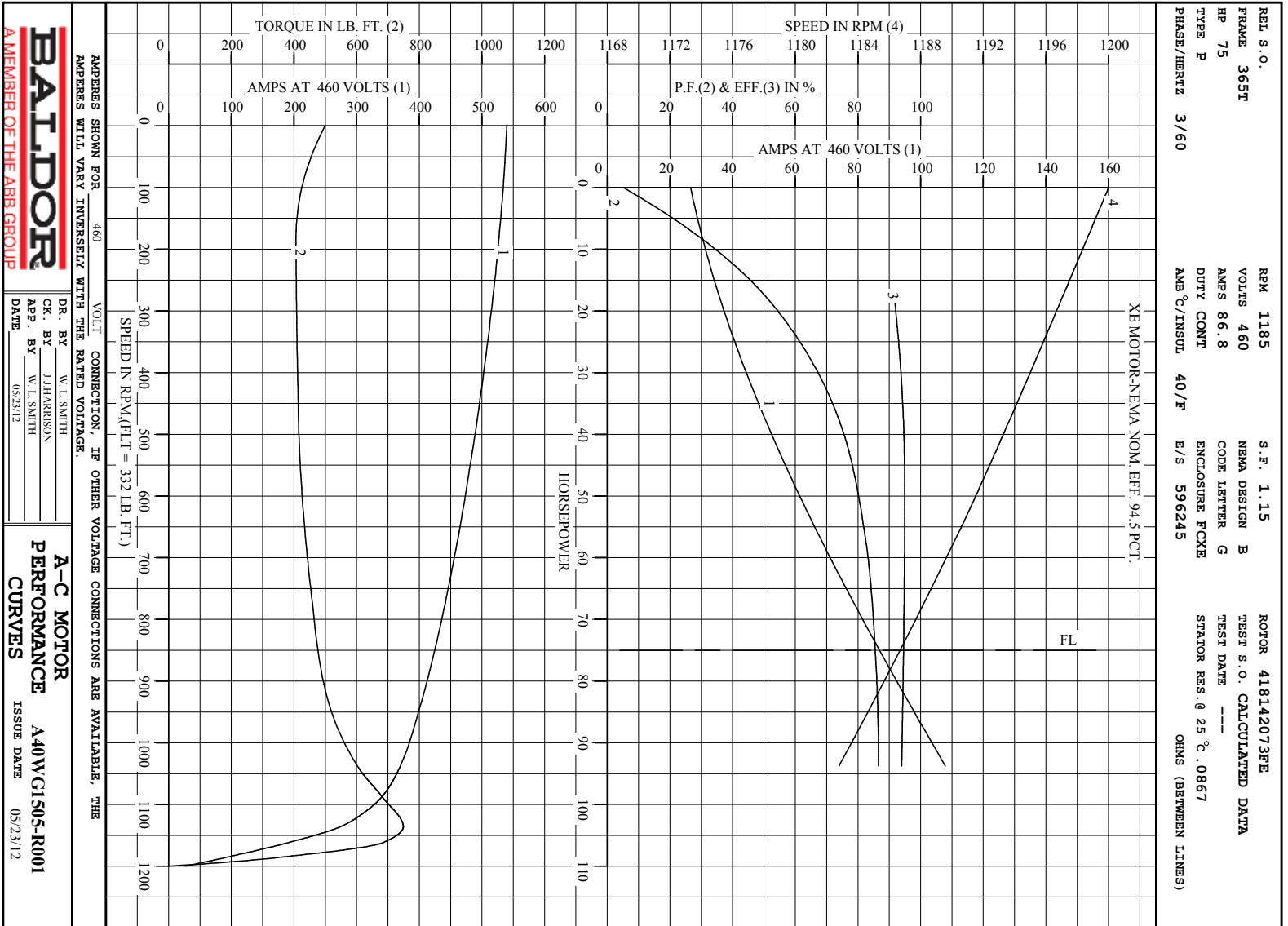
Nameplate 000692000UJ					
TCODE	T3C	TEMP	160	CL I DIV 2 GR	ABCD
CL.1,ZONE 2,GR	IIAIIIBC	CL II DIV 2 GR	X X X		
MOTOR I.D. NO.	A40-1015-1505				

Parts List		
Part Number	Description	Quantity
SA245506	SA A40-1015-1505	1.000 EA
RA232393	RA A40-1015-1505	1.000 EA
000613007ET	N/P BALDOR	1.000 EA
000613007EX	N/P BALDOR	1.000 EA
000692000JP	N/P (RELEASE QTY 1200)	1.000 EA
000692000UJ	N/P	1.000 EA
000692000VD	N/P (REL QTY 4000)	1.000 EA
000692000VH	N/P (RELEASE QTY 500)	1.000 EA
004824015A	GREASE POLYREX EM	0.884 LB
032018010CK	HHCS 3/8-16X1-1/4 PLTD.	4.000 EA
032018016EK	HHCS 5/8-11X2 PLATED	4.000 EA
032018030CK	HHCS 3/8-16X3-3/4 PLATED	3.000 EA
034000014AB	WSH ID.406 OD.812 TH.065	4.000 EA
034180008DA	KEY 1/4X1/4X1 L	1.000 EA
034530034BB	P/NIP 1/4X4-1/4 PLATED	1.000 EA
034530060AB	P/NIP 1/8X7-1/2 GALV.	1.000 EA
034600001AA	BUSH 1/4TO1/8 BLACK	1.000 EA
034630002AB	CPLG 1/4" PLATED	1.000 EA
035000001G	GITS GRS CUP,ODE	1.000 EA
078550001H	FAN KB 120/60 (60) 360	1.000 EA
083198046M	F/C A 083198036A	1.000 EA
089412061AP	BRKT 400 089412051WCD KB	1.000 EA
410700000DA	WAVY SPRING WASHER (400)	1.000 EA
412118006A	DRAIN	1.000 EA

Parts List (continued)		
Part Number	Description	Quantity
415028008G	INPRO SEAL - 400	1.000 EA
415072001B	CLAMP	1.000 EA
415096002A	CPLG 1/8 HEX TYPE	1.000 EA
423709011C	WASHER	3.000 EA
032018016EK	HHCS 5/8-11X2 PLATED	4.000 EA
032018030CK	HHCS 3/8-16X3-3/4 PLATED	3.000 EA
034530024AB	PNIPL 1/8X3L PLATED	1.000 EA
034530024BB	P/NIP 1/4X3	1.000 EA
034600001AA	BUSH 1/4TO1/8 BLACK	1.000 EA
034630002AB	CPLG 1/4" PLATED	1.000 EA
035000001G	GITS GRS CUP,ODE	1.000 EA
089412061AP	BRKT 400 089412051WCD KB	1.000 EA
412118006A	DRAIN	1.000 EA
415028008G	INPRO SEAL - 400	1.000 EA
415096002A	CPLG 1/8 HEX TYPE	1.000 EA
423709011C	WASHER	3.000 EA
032018010CK	HHCS 3/8-16X1-1/4 PLTD.	4.000 EA
033512004LB	HHTTS 1/4-20X1/2 PLTD.	1.000 EA
033512008LB	HHTTS 1/4-20X1 PLATED	4.000 EA
034000014AB	WSH ID.406 OD.812 TH.065	4.000 EA
035000001A	ALFTG 1/8" 1610-BL	1.000 EA
035000001A	ALFTG 1/8" 1610-BL	1.000 EA
067053000B	GASK 320-400	1.000 EA
076708000BB	C/B - 360	1.000 EA

Parts List (continued)		
Part Number	Description	Quantity
076709000A	C/B CVR - 360	1.000 EA
406099000A	PLUG - FAN COVER 320-440	1.000 EA
415000003D	T/LUG 897-777 KPA25/G16	1.000 EA
415039016A	TERBD, 360-400	1.000 EA
418150003A	GREASE FITTING CAP	1.000 EA
418150003A	GREASE FITTING CAP	1.000 EA
033775004EA	DRSCR #6-1/4 304 S.S.	4.000 EA
034180044JA	KEY 3/4X3/4X5-1/2 L	1.000 EA
004824003AJD	WILKO 778.50 BLUE GREEN - 55 GAL DRUMS	0.250 GA
004824003CBP	WILKO 060.06B - ACTIVATR - 5 GA.	0.063 GA
482403003BEF	RUST VETO 342	0.013 GA
482403004AZZ	ROTOR/STATOR PAINT	0.063 GA
421948051	LABEL, MYLAR	1.000 EA
PK5004A02	WOOD BASE 40X32 STACK 2X4 RUNNER	1.000 EA





**BALDOR**  
A MEMBER OF THE ABB GROUP

DR. BY W.L. SMITH  
 CR. BY J. HARRISON  
 APP. BY W.L. SMITH  
 DATE 05/23/12

**A-C MOTOR**  
**PERFORMANCE** A40W/G1505-R001  
**CURVES** ISSUE DATE 05/23/12

Printed on 5/23/12 15:05 @ ragsun

REL. S.O.	FRAME	HP	TYPE	PHASE/HERTZ	RPM	VOLTS
	365T	75	P	3/60	1185	460
AMPS	DUTY	AMB °C/ INSUL.	S.F.	NEMA DESIGN	CODE LETTER	ENCL.
86.8	CONT	40/F	1.15	B	G	FCXE
E/S	ROTOR	TEST S.O.	TEST DATE	STATOR RES. @25 °C (OHMS BETWEEN LINES)		
596245	418142073FE	---	---	.0867		

PERFORMANCE


LOAD	HP	AMPERES	RPM	POWER FACTOR %	EFFICIENCY %
NO LOAD	0	26.6	1200	5.13	0
1/4	18.8	36.5	1197	52.5	91.8
2/4	37.5	50.3	1194	73.9	94.5
3/4	56.2	67.5	1190	82.2	94.9
4/4	75.0	86.8	1187	85.5	94.6
5/4	93.8	108	1183	86.6	93.9

SPEED TORQUE

	RPM	TORQUE % FULL LOAD	TORQUE LB.-FT.	AMPERES
LOCKED ROTOR	0	150	499	540
PULL UP	180	123	407	527
BREAKDOWN	1136	226	749	274
FULL LOAD	1187	100	332	86.8

AMPERES SHOWN FOR 460. VOLT CONNECTION. IF OTHER VOLTAGE CONNECTIONS ARE AVAILABLE, THE AMPERES WILL VARY INVERSELY WITH THE RATED VOLTAGE

REMARKS: CALCULATED DATA  
XE MOTOR-NEMA NOM. EFF. 94.5 PCT.

 <p>A MEMBER OF THE ABB GROUP</p>	DR. BY <u>W. I. SMITH</u> CK. BY <u>J. J. HARRISON</u> APP. BY <u>W. I. SMITH</u> DATE <u>05/23/12</u>	A-C MOTOR PERFORMANCE DATA A40WG1505-R001 ISSUE DATE 05/23/12
--	---	--

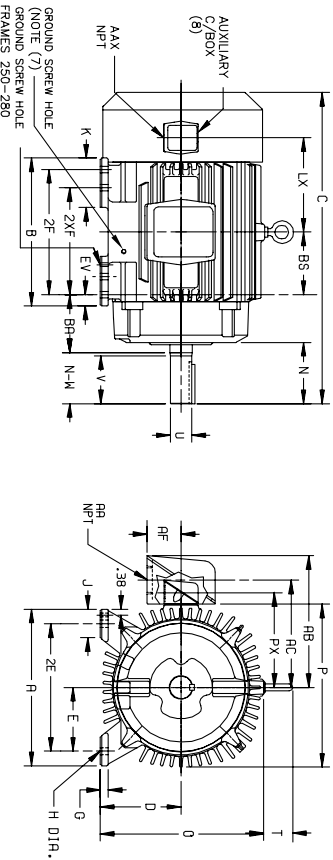
611760-570-SH1

# DUTY MASTER ALTERNATING CURRENT MOTORS

ENCLOSURE: TOTALLY ENCLOSED  
SQUIRREL-CAGE INDUCTION  
CAST IRON CONSTRUCTION

COOLING: FAN COOLED

MOUNTING: FOOT  
FRAMES 250T THRU 440TS  
841-XL WITH STANDARD OVERSIZED CONDUIT BOX



DIMENSIONS ARE IN INCHES; SEE SHEET 2 FOR DIMENSIONS IN MILLIMETERS.

FRAME	A	D/2	E	G	H	J	K	O	P	T	CAST IRON TERMINAL BOX						AUX C/BOX (8)		
											AA	AB	AC	AD	BA	EA	EA	EA	
254T-256T	12.50	6.25	5.00	.75	.56	2.50	---	13.25	13.25	2.44	1-1/4	10.81	8.81	2.50	4.25	1.00	3/4	7.06	9.31
284T-286TS	13.75	7.00	5.50	.75	.56	2.50	---	14.75	14.88	2.44	1-1/2	12.62	10.19	3.00	4.75	1.00	3/4	7.63	10.50
324T-326TS	15.50	8.00	6.25	.88	.69	2.75	4.50	16.69	17.00	2.44	2	15.44	11.69	3.62	5.25	1.38	3/4	8.75	10.50
364T-365TS	17.00	9.00	7.00	.88	.69	2.75	4.50	18.50	19.50	2.94	3	18.00	13.81	4.12	5.88	1.38	3/4	9.12	11.62
404T-405TS	19.00	10.00	8.00	1.12	.81	3.25	4.98	21.31	22.50	2.94	3	19.25	15.06	4.12	6.62	1.33	3/4	9.63	14.44
444T-445TS	21.00	11.00	9.00	1.12	.81	3.25	5.25	23.58	23.25	3.25	3	22.19	17.44	6.00	7.50	1.25	3/4	11.12	15.25

FRAME SIZE	C	BS	B	2F	(4) 2XF	N	(6) N-W	U(3)	V	SO.	LGTH.	WEIGHT LBS. (5)
254T	24.86	5.00	12.00	---	8.25	4.12	4.00	1.625	3.75	3.75	2.88	335
284T	27.44	5.50	13.00	---	9.50	4.12	4.00	1.625	3.75	3.75	2.88	345
324T	28.06	5.50	13.00	---	9.50	5.00	4.62	1.875	4.38	5.00	3.25	475
364T	27.44	5.50	13.00	---	9.50	3.82	3.25	1.625	3.00	3.75	1.88	475
404T	27.44	5.50	13.00	---	9.50	5.00	4.62	1.875	4.38	5.00	3.25	490
444T	30.44	6.00	14.75	---	10.50	3.82	3.25	1.625	3.00	3.75	1.88	490
324TS	28.94	6.00	14.75	---	10.50	4.12	3.75	1.875	3.50	5.00	2.00	590
326TS	30.44	6.00	14.75	---	12.00	5.82	5.25	2.125	5.00	5.00	3.88	630
326TS	28.94	6.00	14.75	---	12.00	4.12	3.75	1.875	3.50	5.00	2.00	630
364TS	31.31	6.12	15.00	---	11.25	6.25	5.88	2.375	5.62	6.25	4.25	865
365TS	31.31	6.12	15.00	---	11.25	4.12	3.75	1.875	3.50	5.00	2.00	859
365TS	33.44	6.12	15.00	---	12.25	6.25	5.88	2.375	5.62	6.25	4.25	894
404TS	38.31	6.88	16.00	---	12.25	4.12	3.75	1.875	3.50	5.00	2.00	1220
405TS	38.31	6.88	16.00	---	12.25	4.50	4.25	2.125	4.00	5.00	2.75	1260
405TS	38.31	6.88	16.00	---	12.25	7.50	7.25	2.875	7.00	7.50	5.62	1280
444TS	44.62	8.25	19.00	---	14.50	4.50	4.25	2.125	4.00	5.00	2.75	1251
444TS	40.88	8.25	19.00	---	14.50	8.94	8.50	3.375	4.50	6.25	3.00	1654
445TS	44.62	8.25	19.00	---	14.50	8.94	8.50	3.375	4.50	6.25	3.00	1650
445TS	40.88	8.25	19.00	---	14.50	4.75	4.75	2.375	4.25	6.25	3.00	1844

CUSTOMER IS RESPONSIBLE FOR DETERMINING THAT BALDOR'S PRODUCT WILL PERFORM SUITABLY IN THE INTENDED APPLICATION.

REV. DESC: FIX TITLE BLOCK DESCRIPTION	TDR: 000000505887
REV. LTR: C	BY: RAGEC
FILE: \RAG\00005\357	REVISED: 01:19:34 07/16/2009
MTL: 1	

**Baldor • Dodge • Reliance**

DIM SHT TEFC 250T-440TS STD BRKT 841-XL STD OS CBOX

SH 1 of 1

- (1) SPECIAL DIMENSIONS APPLYING TO THIS LINE. CONDUIT BOX LOCATED ON OPPOSITE SIDE WHEN F-2-W-1, W-4-W-5-W-7, OR C-1 MOUNTING IS SPECIFIED.
- (2) "U" VARIES ---.360T - 440T +.00, ---.06. IF MOUNTING CLEARANCE DETAILS ARE REQUIRED, CONSULT FACTORY.
- (3) "U" VARIES ---.625 AND LARGER +.000, ---.0005. MAXIMUM PERMISSIBLE SHAFT RUNOUT WHEN MEASURED AT END OF STD. SHAFT EXTENSION IS .001 T.I.R. UP TO .002 T.I.R. ROLLER BEARINGS FOR LARGER DIAMETERS.
- (4) ALL FRAMES HAVE EIGHT MOUNTING HOLES FOR DUAL MOUNTING.
- (5) MOTOR WEIGHTS MAY VARY BY 15% DEPENDING UPON RATING.
- (6) "N-W" VARIES +.00, ---.25.
- (7) GROUND SCREW HOLE 3/8-16 TAP 1 TO 200 HP ABOVE 200 HP 1/2-13
- (8) AUXILIARY CONDUIT BOX SUPPLIED ONLY WHEN REQUESTED

ORDER \_\_\_\_\_ ITEM \_\_\_\_\_ HP \_\_\_\_\_ RPM \_\_\_\_\_ PH \_\_\_\_\_ HZ \_\_\_\_\_ VOLTS \_\_\_\_\_  
 TYPE \_\_\_\_\_ CERTIFIED FOR \_\_\_\_\_  
 SALES ORDER \_\_\_\_\_ APPROVED BY \_\_\_\_\_ DATE \_\_\_\_\_

LHS-025-097L119

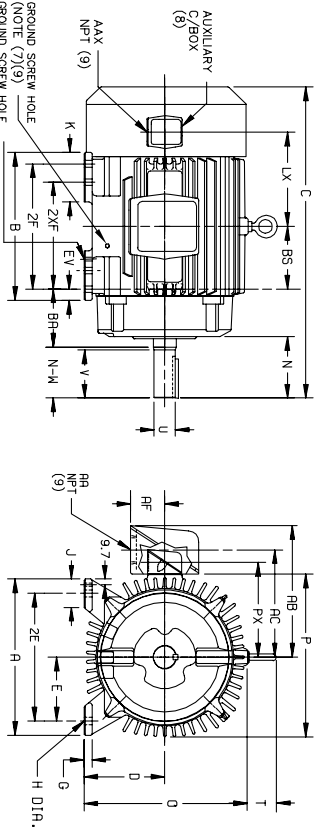
611760-570-SH2

# DUTY MASTER ALTERNATING CURRENT MOTORS

ENCLOSURE: TOTALLY ENCLOSED  
SQUIREL-CAGE INDUCTION  
CAST IRON CONSTRUCTION

COOLING: FAN COOLED

FRAMES 250T THRU 440TS  
841-XL WITH STANDARD OVERSIZED CONDUIT BOX



FRAMES 250-280  
DIMENSIONS ARE IN MILLIMETERS, SEE SHEET 1 FOR DIMENSIONS IN INCHES

FRAME	A	D(2)	E	C	H	J	K	O	P	T	KASTRON TERMINAL BOX	BA	EV	AUX C/BOX (8)					
254T-268T	317.5	156.8	127.0	19.1	14.2	63.5	---	356.6	356.6	62.0	1-1/2	42.6	223.8	65.5	106.0	25.4	3/4	170.3	228.6
264T-280TS	349.3	177.8	139.7	19.1	14.2	63.5	---	374.7	378.0	62.0	1-1/2	42.6	238.8	76.2	120.7	29.4	3/4	193.8	266.7
324T-326TS	393.7	203.2	158.8	22.4	17.3	69.9	114.3	423.9	431.8	62.0	1-1/2	42.6	261.2	91.9	133.4	35.1	3/4	222.3	286.7
364T-365TS	431.8	228.6	177.8	22.4	17.3	69.9	98.6	469.9	495.3	74.7	1-3/4	45.7	238.0	104.8	149.4	35.1	3/4	231.6	295.1
404T-405TS	482.6	254.0	203.2	28.4	20.6	82.6	117.3	541.3	571.5	74.7	1-3/4	48.9	261.2	104.8	168.1	28.7	3/4	244.3	306.8
444T-445TS	533.4	279.4	228.6	28.4	20.6	82.6	133.4	593.9	641.4	82.6	1-3/4	56.3	261.2	152.4	190.5	31.8	3/4	282.4	357.4

FRAME	C	BS	B	2F	(1)	N	N-(W)	U	SQ	LGTH	WEIGHT
254T	623.8	127.0	304.8	---	209.6	104.6	101.6	41.28	95.3	95.3	73.2
264T	623.8	130.9	330.9	254.0	209.6	104.6	101.6	41.28	95.3	95.3	73.2
284T	667.0	139.7	330.2	---	241.3	127.0	117.3	47.63	111.3	127.0	82.6
284TS	667.0	139.7	330.2	---	241.3	127.0	117.3	47.63	111.3	127.0	82.6
286TS	667.0	139.7	330.2	279.4	241.3	127.0	117.3	47.63	111.3	127.0	82.6
324T	773.2	152.4	374.7	---	266.7	142.7	133.4	53.98	127.0	127.0	98.6
324TS	773.2	152.4	374.7	---	266.7	142.7	133.4	53.98	127.0	127.0	98.6
326TS	773.2	152.4	374.7	304.8	266.7	142.7	133.4	53.98	127.0	127.0	98.6
364T	849.4	155.4	381.0	---	285.8	154.6	149.4	60.33	142.7	15.88	108.0
364TS	849.4	155.4	381.0	---	285.8	154.6	149.4	60.33	142.7	15.88	108.0
365TS	795.3	155.4	381.0	311.2	285.8	154.6	149.4	60.33	142.7	15.88	108.0
404T	973.3	174.8	406.4	---	311.2	190.5	184.2	73.03	177.8	19.05	142.7
404TS	973.3	174.8	406.4	---	311.2	190.5	184.2	73.03	177.8	19.05	142.7
405T	896.9	174.8	406.4	349.3	311.2	190.5	184.2	73.03	177.8	19.05	142.7
405TS	896.9	174.8	406.4	349.3	311.2	190.5	184.2	73.03	177.8	19.05	142.7
444T	1133.3	209.6	482.6	---	368.3	227.1	215.9	85.73	209.6	22.23	174.8
444TS	1133.3	209.6	482.6	---	368.3	227.1	215.9	85.73	209.6	22.23	174.8
445T	1133.3	209.6	482.6	419.1	368.3	227.1	215.9	85.73	209.6	22.23	174.8
445TS	1133.3	209.6	482.6	419.1	368.3	227.1	215.9	85.73	209.6	22.23	174.8

- (1) SPECIAL DIMENSIONS APPLYING TO THIS ORDER ON THIS LINE.
  - (2) "D" VARIES  $\begin{cases} 290T - 320T + 0, -8 \\ 360T - 440T + 0, -1.5 \end{cases}$
  - (3) "U" VARIES  $\begin{cases} HP TO 1.625 DIA + 0.00, -0.13 \\ 1.625 AND LARGER +.00, -.03 \end{cases}$
  - (4) ALL FRAMES HAVE EIGHT MOUNTING HOLES FOR DUAL MOUNTING.
  - (5) MOTOR WEIGHTS MAY VARY BY 1% DEPENDING UPON RATING.
  - (6) "N"-W VARIES +0, -6.4
  - (7) GROUND SCREW HOLE 3/8-16 TAP 1 TO 200 HP ABOVE 200 HP 1/2-13. SEE NOTE (9)
  - (8) AUXILIARY CONDUIT BOX SUPPLIED ONLY WHEN REQUESTED
  - (9) DIMENSIONS ARE IN INCHES
- FRAME \_\_\_\_\_ TYPE \_\_\_\_\_ CERTIFIED FOR \_\_\_\_\_  
 ORDER \_\_\_\_\_ ITEM \_\_\_\_\_ HP \_\_\_\_\_ RPM \_\_\_\_\_ PH \_\_\_\_\_ HZ \_\_\_\_\_ VOLTS \_\_\_\_\_  
 SALES ORDER \_\_\_\_\_ APPROVED BY \_\_\_\_\_ DATE \_\_\_\_\_

ZHS-705-091119

CUSTOMER IS RESPONSIBLE FOR DETERMINING THAT BALDOR'S PRODUCT WILL PERFORM SUITABLY IN THE INTENDED APPLICATION.

REV. LTR: C	VERSION: 03	TDR: 000000505887
FILE: \RAG\00005\369	REVISED: 01:20:29 07/16/2009	BY: RAGEC
MTL: I		

**Baldor • Dodge • Reliance**

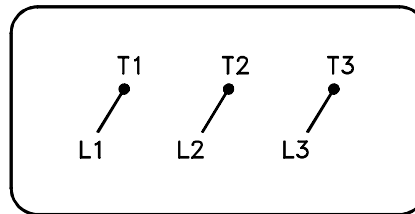
DIM SHT TEFC 250T-440TS STD BRKT 841-XL STD OS CBOX

SH 1 of 1



416820-036

A-C MOTOR  
 CONNECTION DIAGRAM  
 STANDARD 3 LEAD CONNECTED



(N.P. 1575-BA)

416820-036

REV. DESC: LOADED TO BUS, C/R 335225		
REV. LTR: -	VERSION: 00	TDR: 000000538207
FILE: \MGA\00000\682	REVISED: 11:54:06 04/30/2010	
MTL: -	BY: RAGRA	

**BALDOR**  
 CONN DIAG - STANDARD 3 LEAD  
 SH 1 of 1

**BALDOR • RELIANCE**

Integral Horsepower  
AC Induction Motors  
ODP, WPI Enclosures  
TENV, TEAO, TEFC Enclosure  
Explosion Proof

Installation & Operating Manual

3/09

MN408

Any trademarks used in this manual are the property of their respective owners.

**Table of Contents**

<b>Section 1</b>	
<b>General Information</b> .....	
Overview .....	1-1
Limited Warranty .....	1-1
Safety Notice .....	1-1
Receiving .....	1-2
Storage .....	1-2
Extended Storage .....	1-3
Greater than 6 months .....	1-3
Greater than 18 months .....	1-3
Unpacking .....	1-4
Handling .....	1-4
<b>Section 2</b>	
<b>Installation &amp; Operation</b> .....	
Overview .....	2-1
Location .....	2-1
Mounting .....	2-1
Frame Mounting Holes .....	2-2
Alignment .....	2-2
Doweling & Bolting .....	2-3
Guarding .....	2-3
Power Connection .....	2-3
Grounding .....	2-3
Conduit Box .....	2-3
AC Power .....	2-3
Rotation .....	2-4
Connection Diagrams .....	2-4
First Time Start Up .....	2-5
Initial Lubrication .....	2-7
Test for General Condition .....	2-8
Coupled Start Up .....	2-8
Jogging and Repeated Starts .....	2-8
Heating .....	2-8
Hazardous Locations .....	2-8
Selection .....	2-8
Protection Concepts .....	2-8
Repair of Motors used in Hazardous Locations .....	2-10
<b>Section 3</b>	
<b>Maintenance &amp; Troubleshooting</b> .....	
General Inspection .....	3-1
Relubrication & Bearings .....	3-1
Type of Grease .....	3-1
Relubrication Intervals .....	3-2
Relubrication Procedure .....	3-4
Troubleshooting Chart .....	3-5
Suggested bearing and winding RTD setting guidelines for Non-Hazardous Locations ONLY .....	3-6

MN408

Table of Contents i



ii Table of Contents

MN408

## Section 1 General Information

---

### Overview

This manual contains general procedures that apply to Baldor Motor products. Be sure to read and understand the Safety Notice statements in this manual. For your protection, do not install, operate or attempt to perform maintenance procedures until you understand the **Warning and Caution** statements. A **Warning** statement indicates a possible unsafe condition that can cause harm to personnel.

A **Caution** statement indicates a condition that can cause damage to equipment.

**Important:** This instruction manual is not intended to include a comprehensive listing of all details for all procedures required for installation, operation and maintenance. This manual describes general guidelines that apply to most of the motor products shipped by Baldor. If you have a question about a procedure or are uncertain about any detail, **Do Not Proceed. Please contact your Baldor distributor for more information or clarification.**

Before you install, operate or perform maintenance, become familiar with the following:

- NEMA Publication MG-2, Safety Standard for Construction and guide for Selection, Installation and Use of Electric Motors and Generators.
- IEC 34-1 Electrical and IEC72-1 Mechanical specifications
- ANSI C51.5, the National Electrical Code (NEC) and local codes and practices.

### Limited Warranty

[www.baldor.com/support/warranty\\_standard.asp](http://www.baldor.com/support/warranty_standard.asp)

### Safety Notice:

This equipment contains high voltage! Electrical shock can cause serious or fatal injury. Only qualified personnel should attempt installation, operation and maintenance of electrical equipment.

Be sure that you are completely familiar with NEMA publication MG-2, safety standards for construction and guide for selection, installation and use of electric motors and generators, the National Electrical Code and local codes and practices. Unsafe installation or use can cause conditions that lead to serious or fatal injury. Only qualified personnel should attempt the installation, operation and maintenance of this equipment.

**WARNING:** Do not touch electrical connections before you first ensure that power has been disconnected. Electrical shock can cause serious or fatal injury. Only qualified personnel should attempt the installation, operation and maintenance of this equipment.

**WARNING:** Disconnect all electrical power from the motor windings and accessory devices before disassembly of the motor. Electrical shock can cause serious or fatal injury.

**WARNING:** Be sure the system is properly grounded before applying power. Do not apply AC power before you ensure that all grounding instructions have been followed. Electrical shock can cause serious or fatal injury. National Electrical Code and Local codes must be carefully followed.

**WARNING:** Avoid extended exposure to machinery with high noise levels. Be sure to wear ear protective devices to reduce harmful effects to your hearing.

**WARNING:** Surface temperatures of motor enclosures may reach temperatures which can cause discomfort or injury to personnel accidentally coming into contact with hot surfaces. When installing, protection should be provided by the user to protect against accidental contact with hot surfaces. Failure to observe this precaution could result in bodily injury.

**WARNING:** This equipment may be connected to other machinery that has rotating parts or parts that are driven by this equipment. Improper use can cause serious or fatal injury. Only qualified personnel should attempt to install operate or maintain this equipment.

**WARNING:** Do not by-pass or disable protective devices or safety guards. Safety features are designed to prevent damage to personnel or equipment. These devices can only provide protection if they remain operative.

**WARNING:** Avoid the use of automatic reset devices if the automatic restarting of equipment can be hazardous to personnel or equipment.

**WARNING:** Be sure the load is properly coupled to the motor shaft before applying power. The shaft key must be fully captive by the load device. Improper coupling can cause harm to personnel or equipment if the load decouples from the shaft during operation.

**WARNING:** UL Listed motors must only be serviced by UL Approved Authorized Baldor Service Centers if these motors are to be returned to a hazardous and/or explosive atmosphere.

**WARNING:** Thermostat contacts automatically reset when the motor has slightly cooled down. To prevent injury or damage, the control circuit should be designed so that automatic starting of the motor is not possible when the thermostat resets.

MN408

General Information 1 -1

**Safety Notice** Continued

- WARNING:** Use proper care and procedures that are safe during handling, lifting, installing, operating and maintaining operations. Improper methods may cause muscle strain or other harm.
- WARNING:** Pacemaker danger – Magnetic and electromagnetic fields in the vicinity of current carrying carrying conductors and permanent magnet motors can result in a serious health hazard to persons with cardiac pacemakers, metal implants, and hearing aids. To avoid risk, stay away from the area surrounding a permanent magnet motor.
- WARNING:** Before performing any motor maintenance procedure, be sure that the equipment connected to the motor shaft cannot cause shaft rotation. If the load can cause shaft rotation, disconnect the load from the motor shaft before maintenance is performed. Unexpected mechanical rotation of the motor parts can cause injury or motor damage.
- WARNING:** Do not use non UL/CSA listed explosion proof motors in the presence of flammable or combustible vapors or dust. These motors are not designed for atmospheric conditions that require explosion proof operation.
- WARNING:** Motors that are to be used in flammable and/or explosive atmospheres must display the UL label on the nameplate along with CSA listed logo. Specific service conditions for these motors are defined in NFPA 70 (NEC) Article 500.
- WARNING:** Guards must be installed for rotating parts such as couplings, pulleys, external fans, and unused shaft extensions, should be permanently guarded to prevent accidental contact by personnel. Accidental contact with body parts or clothing can cause serious or fatal injury.
- Caution:** To prevent premature equipment failure or damage, only qualified maintenance personnel should perform maintenance.
- Caution:** Do not over-tension belts. Excess tension may damage the motor or driven equipment.
- Caution:** Do not over-lubricate motor as this may cause premature bearing failure.
- Caution:** Do not lift the motor and its driven load by the motor lifting hardware. The motor lifting hardware is adequate for lifting only the motor. Disconnect the load (gears, pumps, compressors, or other driven equipment) from the motor shaft before lifting the motor.
- Caution:** If eye bolts are used for lifting a motor, be sure they are securely tightened. The lifting direction should not exceed a 20° angle from the shank of the eye bolt or lifting lug. Excessive lifting angles can cause damage.
- Caution:** To prevent equipment damage, be sure that the electrical service is not capable of delivering more than the maximum motor rated amps listed on the rating plate.
- Caution:** If a HI POT test (High Potential Insulation test) must be performed, follow the precautions and procedure in NEMA MG1 and MG2 standards to avoid equipment damage.
- If you have any questions or are uncertain about any statement or procedure, or if you require additional information please contact your Baldor distributor or an Authorized Baldor Service Center. Each Baldor Electric Motor is thoroughly tested at the factory and carefully packaged for shipment. When you receive your motor, there are several things you should do immediately.
1. Observe the condition of the shipping container and report any damage immediately to the commercial carrier that delivered your motor.
  2. Verify that the part number of the motor you received is the same as the part number listed on your purchase order.
- Receiving**
- Handling**
- Caution:** The motor should be lifted using the lifting lugs or eye bolts provided.
- Caution:** Do not lift the motor and its driven load by the motor lifting hardware. The motor lifting hardware is adequate for lifting only the motor. Disconnect the load (gears, pumps, compressors, or other driven equipment) from the motor shaft before lifting the motor.
1. Use the lugs or eye bolts provided to lift the motor. Never attempt to lift the motor and additional equipment connected to the motor by this method. The lugs or eye bolts provided are designed to lift only the motor. Never lift the motor by the motor shaft or the hood of a WP11 motor.
  2. To avoid condensation inside the motor, do not unpack until the motor has reached room temperature. (Room temperature is the temperature of the room in which it will be installed). The packing provides insulation from temperature changes during transportation.
  3. When lifting a WP11 (Weather Proof Type 2) motor, do not lift the motor by inserting lifting lugs into holes on top of the cooling hood. These lugs are to be used for hood removal only. A spreader bar should be used to lift the motor by the cast lifting lugs located on the motor frame.

4. If the motor must be mounted to a plate with the driven equipment such as pump, compressor etc., it may not be possible to lift the motor alone. For this case, the assembly should be lifted by a sling around the mounting base. The entire assembly can be lifted as an assembly for installation.

Do not lift the assembly using the motor lugs or eye bolts provided. Lugs or eye bolts are designed to lift motor only. If the load is unbalanced (as with couplings or additional attachments) additional slings or other means must be used to prevent tipping. In any event, the load must be secure before lifting. If the load is unbalanced (as with couplings or additional attachments) additional slings or other means must be used to prevent tipping. In any event, the load must be secure before lifting.

Storage requirements for motors and generators that will not be placed in service for at least six months from date of shipment.

Improper motor storage will result in seriously reduced reliability and failure. An electric motor that does not experience regular usage while being exposed to normally humid atmospheric conditions is likely to develop rust in the bearings or rust particles from surrounding surfaces may contaminate the bearings. The electrical insulation may absorb an excessive amount of moisture leading to the motor winding failure.

A wooden crate "shell" should be constructed to secure the motor during storage. This is similar to an export box but the sides & top must be secured to the wooden base with lag bolts (not nailed as export boxes are) to allow opening and reclosing many times without damage to the "shell".

Minimum resistance of motor winding insulation is 5 Meg ohms or the calculated minimum, which ever is greater. Minimum resistance is calculated as follows:  $R_m = KV + 1$

where:  $R_m$  is minimum resistance to ground in Meg-Ohms and

KV is rated nameplate voltage defined as Kilo-Volts.)

Example: For a 480VAC rated motor  $R_m = 1.48 \text{ meg-ohms}$  (use 5 MΩ).

For a 4160VAC rated motor  $R_m = 5.16 \text{ meg-ohms}$ .

#### Preparation for Storage

1. Some motors have a shipping brace attached to the shaft to prevent damage during transportation. The shipping brace, if provided, must be removed and stored for future use. The brace must be reinstalled to hold the shaft firmly in place against the bearing before the motor is moved.
2. Store in a clean, dry, protected warehouse where control is maintained as follows:
  - a. Shock or vibration must not exceed 2 mils maximum at 60 hertz, to prevent the bearings from brinelling. If shock or vibration exceeds this limit vibration isolation pads must be used.
  - b. Storage temperatures of 10°C (50°F) to 49°C (120°F) must be maintained.
  - c. Relative humidity must not exceed 60%.
  - d. Motor space heaters (when present) are to be connected and energized whenever there is a possibility that the storage ambient conditions will reach the dew point. Space heaters are optional.
3. Remove motor from containers when heaters are energized, reprotect if necessary.
 

Note: Remove motor from containers when heaters are energized, reprotect if necessary.

Measure and record the resistance of the winding insulation (dielectric withstand) every 30 days of storage.

  - a. If motor insulation resistance decreases below the minimum resistance, contact your Baldor District office.
  - b. Place new desiccant inside the vapor bag and re-seal by taping it closed.
  - c. If a zipper-closing type bag is used instead of the heat-sealed type bag, zip the bag closed instead of taping it. Be sure to place new desiccant inside bag after each monthly inspection.
  - d. Place the shell over the motor and secure with lag bolts.

4. Where motors are mounted to machinery, the mounting must be such that the drains and breathers are fully operable and are at the lowest point of the motor. Vertical motors must be stored in the vertical position. Storage environment must be maintained as stated in step 2.

5. Motors with anti-friction bearings are to be greased at the time of going into extended storage with periodic service as follows:
  - a. Motors marked "Do Not Lubricate" on the nameplate do not need to be greased before or during storage.
  - b. Ball and roller bearing (anti-friction) motor shafts are to be rotated manually every 3 months and greased every 6 months in accordance with the Maintenance section of this manual.
  - c. Sleeve bearing (oil lube) motors are drained of oil prior to shipment. The oil reservoirs must be refilled to the indicated level with the specified lubricant, (see Maintenance). The shaft should be rotated monthly by hand at least 10 to 15 revolutions to distribute oil to bearing surfaces.
  - d. "Provisions for oil mist lubrication" – These motors are packed with grease. Storage procedures are the same as paragraph 5b.
  - e. "Oil Mist Lubricated" – These bearings are protected for temporary storage by a corrosion inhibitor. If stored for greater than 3 months or outdoor storage is anticipated, connected to the oil mist system while in storage. If this is not possible, add the amount of grease indicated under "Standard Condition" in Section 3, then rotate the shaft 15 times by hand.
6. All breather drains are to be fully operable while in storage (drain plugs removed). The motors must be stored so that the drain is at the lowest point. All breathers and automatic "T" drains must be operable to allow breathing and draining at points other than through the bearings around the shaft. Vertical motors should be stored in a safe stable vertical position.
7. Coat all external machined surfaces with a rust preventing material.
8. An acceptable product for this purpose is Exxon Rust Ban # 392.
8. Carbon brushes should be lifted and held in place in the holders, above the commutator, by the brush holder fingers. The commutator should be wrapped with a suitable material such as cardboard paper as a mechanical protection against damage.

**Non-Regreaseable Motors**

Non-regreaseable motors with "Do Not Lubricate" on the nameplate should have the motor shaft rotated 15 times to redistribute the grease within the bearing every 3 months or more often.

**All Other Motor Types**

Before storage, the following procedure must be performed.

1. Remove the grease drain plug, if supplied, (opposite the grease fitting) on the bottom of each bracket prior to lubricating the motor.
2. The motor with regreaseable bearing must be greased as instructed in Section 3 of this manual.
3. Replace the grease drain plug after greasing.
4. The motor shaft must be rotated a minimum of 15 times after greasing.
5. Motor Shafts are to be rotated at least 15 revolutions manually every 3 months and additional grease added every nine months (see Section 3) to each bearing.
6. Bearings are to be greased at the time of removal from storage.

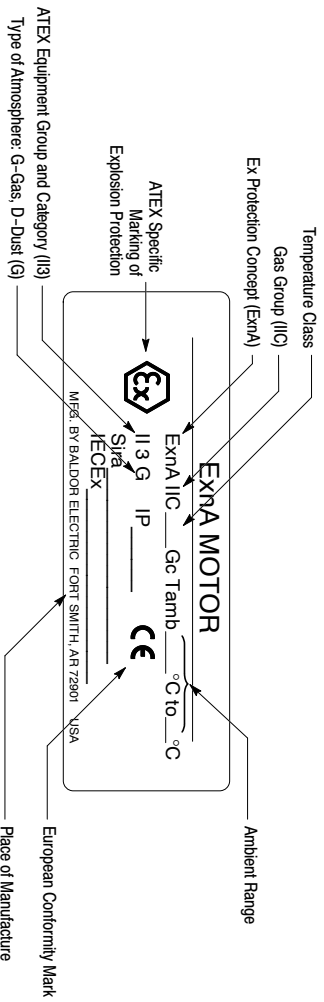
**Removal From Storage**

1. Remove all packing material.
2. Measure and record the electrical resistance of the winding insulation resistance meter at the time of removal from storage. The insulation resistance must not be less than 50% from the initial reading recorded when the motor was placed into storage. A decrease in resistance indicates moisture in the windings and necessitates electrical or mechanical drying before the motor can be placed into service. If resistance is low, contact your Baldor District office.
3. Regrease the bearings as instructed in Section 3 of this manual.
4. Reinstall the original shipping brace if motor is to be moved. This will hold the shaft firmly against the bearing and prevent damage during movement.

**Equipment Marking for IEC Certified Product**

IEC certified products have special markings that identify the protection concept and environment requirements. An example is shown in Figure 3-1.

**Figure 3-1 IEC Certified Product Markings**



**Specific Conditions of Use:**

If the motor certificate number is followed by the symbol "X", this indicates that the motor has specific conditions of use which are indicated on the certificate. It is necessary to review the product certification certificate in conjunction with this instruction manual.

**Operation On Frequency Converters:**

If the motor is evaluated for operation with an adjustable speed drive, the type of converter (for example PWM for Pulse Width Modulated) and safe speed ranges (for example 0–120Hz) will be specified in the certification documents or on motor nameplates. It is necessary to consult the adjustable speed drive manual for proper set up.

1-6 General Information

MN408

## Section 2 Installation & Operation

### Overview

Installation should conform to the National Electrical Code as well as local codes and practices. When other devices are coupled to the motor shaft, be sure to install protective devices to prevent future accidents. Some protective devices include, coupling, belt guard, chain guard, shaft covers etc. These protect against accidental contact with moving parts. Machinery that is accessible to personnel should provide further protection in the form of guard rails, screening, warning signs etc.

### Location

It is important that motors be installed in locations that are compatible with motor enclosure and ambient conditions. Improper selection of the motor enclosure and ambient conditions can lead to reduced operating life of the motor.

- Proper ventilation for the motor must be provided. Obstructed airflow can lead to reduction of motor life.
- Open Drip-Proof/WPI** motors are intended for use indoors where atmosphere is relatively clean, dry, well ventilated and non-corrosive.
  - Totally Enclosed and WPI** motors may be installed where dirt, moisture or dust are present and in outdoor locations.

**Severe Duty**, IEEE 841 and Washdown Duty enclosed motors are designed for installations with high corrosion or excessive moisture conditions. These motors should not be placed into an environment where there is the presence of flammable or combustible vapors, dust or any combustible material, unless specifically designed for this type of service.

**Hazardous Locations** are those where there is a risk of ignition or explosion due to the presence of combustible gases, vapors, dust, fibers, or flyings. Facilities requiring special equipment for hazardous locations are typically classified in accordance with local requirements. In the US market, guidance is provided by the National Electric Code.

### Mounting

The motor should be installed in a location compatible with the motor enclosure and specific ambient. To allow adequate air flow, the following clearances must be maintained between the motor and any obstruction:

**Table 2-1 Enclosure Clearance**

<b>TEFC / TENV (IC0141) Enclosures</b>	
Fan Cover Air Intake	180 - 210T Frame 1" (25mm)
Fan Cover Air Intake	250 - 449T Frame 4" (100mm)
	IEC 112 - 132 1" (25mm)
	IEC 160 - 280 4" (100mm)
Exhaust	Envelope equal to the P Dimension on the motor dimension sheet
<b>OPEN/Protected Enclosures</b>	
Bracket Intake	Same as TEFC
Frame Exhaust	Exhaust out the sides envelope A minimum of the P dimension plus 2" (50mm) Exhaust out the end same as Intake.

The motor must be securely installed to a rigid foundation or mounting surface to minimize vibration and maintain alignment between the motor and shaft load. Failure to provide a proper mounting surface may cause vibration, misalignment and bearing damage.

Foundation caps and sole plates are designed to act as spacers for the equipment they support. If these devices are used, be sure that they are evenly supported by the foundation or mounting surface.

When installation is complete and accurate alignment of the motor and load is accomplished, the base should be grouted to the foundation to maintain this alignment.

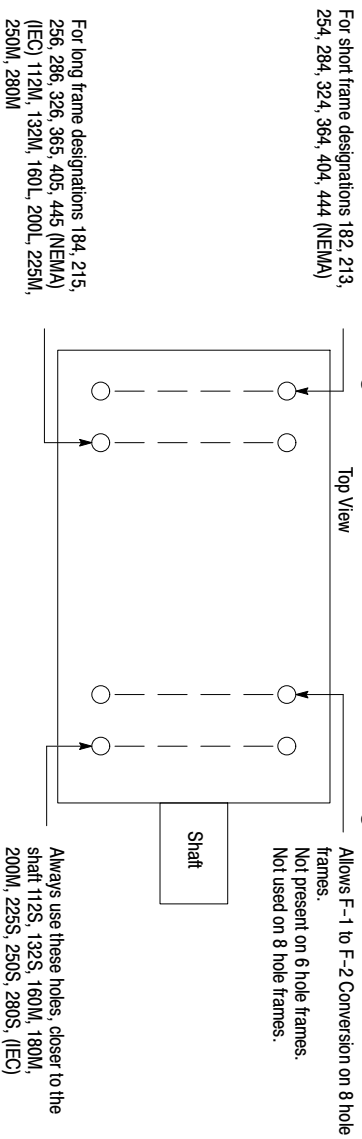
The standard motor base is designed for horizontal or vertical mounting. Adjustable or sliding rails are designed for horizontal mounting only. Consult your Baldor distributor or authorized Baldor Service Center for further information.



## Frame Mounting Holes

Some motors have standardized frames containing 6 or 8 mounting holes. 6 hole frames are not suitable for field reversal of mounting from F-1 to F-2, etc. Figure 2-2 indicates the proper mounting holes to use.

**Figure 2-2 6 & 8 Hole Motor Frame Mounting**



**Caution:** Do not lift the motor and its driven load by the motor lifting hardware. The motor lifting hardware is adequate for lifting only the motor. Disconnect the load (gears, pumps, compressors, or other driven equipment) from the motor shaft before lifting the motor.

In the case of assemblies on a common base, any lifting means provided on the motor should not be used to lift the assembly and base but, rather, the assembly should be lifted by a sling around the base or by other lifting means provided on the base. Assure lifting in the direction intended in the design of the lifting means. Likewise, precautions should be taken to prevent hazardous overloads due to deceleration, acceleration or shock forces.

## Alignment

Accurate alignment of the motor with the driven equipment is extremely important. The pulley, sprocket, or gear used in the drive should be located on the shaft as close to the shaft shoulder as possible. It is recommended to heat the pulley, sprocket, or gear before installing on the motor shaft. Forcibly driving a unit on the motor shaft will damage the bearings.

### 1. Direct Coupling

For direct drive, use flexible couplings if possible. Consult the drive or equipment manufacturer for more information. Mechanical vibration and roughness during operation may indicate poor alignment. Use dial indicators to check alignment. The space between coupling hubs should be maintained as recommended by the coupling manufacturer.

### 2. End-Play Adjustment

The axial position of the motor frame with respect to its load is also extremely important. The standard motor bearings are not designed for excessive external axial thrust loads. Improper adjustment will cause failure.

### 3. Pulley Ratio

The best practice is to not exceed an 8:1 pulley ratio.

**Caution:** Do not over tension belts. Excess tension may damage the motor or driven equipment.

### 4. Belt Drive

Align sheaves carefully to minimize belt wear and axial bearing loads (see End-Play Adjustment). Belt tension should be sufficient to prevent belt slippage at rated speed and load. However, belt slippage may occur during starting.

**Doweling & Bolting** After proper alignment is verified, dowel pins should be inserted through the motor feet into the foundation. This will maintain the correct motor position should motor removal be required.

(Baldor•Reliance motors are designed for doweling.)

1. Drill dowel holes in diagonally opposite motor feet in the locations provided.
2. Drill corresponding holes in the foundation.
3. Ream all holes.
4. Install proper fitting dowels.
5. Mounting bolts must be carefully tightened to prevent changes in alignment. Use a flat washer and lock washer under each nut or bolt head to hold the motor feet secure. Flanged nuts or bolts may be used as an alternative to washers.

**WARNING:** Guards must be installed for rotating parts such as couplings, pulleys, external fans, and unused shaft extensions, should be permanently guarded to prevent accidental contact by personnel. **Accidental contact with body parts or clothing can cause serious or fatal injury.**

**Guarding**

Guards must be installed for rotating parts such as couplings, pulleys, external fans, and unused shaft extensions. This is particularly important where the parts have surface irregularities such as keys, key ways or set screws. Some satisfactory methods of guarding are:

1. Covering the machine and associated rotating parts with structural or decorative parts of the driven equipment.
2. Providing covers for the rotating parts. Covers should be sufficiently rigid to maintain adequate guarding during normal service.

**Power Connection** Motor and control wiring, overload protection, disconnects, accessories and grounding should conform to the National Electrical Code and local codes and practices.

For ExNA hazardous location motors, it is a specific condition of use that all terminations in a conduit box be fully insulated. Flying leads must be insulated with two full wraps of electrical grade insulating tape or heat shrink tubing.

**Grounding**

In the USA consult the National Electrical Code, Article 430 for information on grounding of motors and generators, and Article 250 for general information on grounding. In making the ground connection, the installer should make certain that there is a solid and permanent metallic connection between the ground point, the motor or generator terminal housing, and the motor or generator frame. In non-USA locations consult the appropriate national or local code applicable.

Motors with resilient cushion rings usually must be provided with a bonding conductor across the resilient member. Some motors are supplied with the bonding conductor on the concealed side of the cushion ring to protect the bond from damage. Motors with bonded cushion rings should usually be grounded at the time of installation in accordance with the above recommendations for making ground connections. When motors with bonded cushion rings are used in multimotor installations employing group fusing or group protection, the bonding of the cushion ring should be checked to determine that it is adequate for the rating of the branch circuit over current protective device being used.

There are applications where grounding the exterior parts of a motor or generator may result in greater hazard by increasing the possibility of a person in the area simultaneously contacting ground and some other nearby live electrical parts of other ungrounded electrical equipment. In portable equipment it is difficult to be sure that a positive ground connection is maintained as the equipment is moved, and providing a grounding conductor may lead to a false sense of security.

Select a motor starter and over current protection suitable for this motor and its application. Consult motor starter application data as well as the National Electric Code and/or other applicable local codes.

For motors installed in compliance with IEC requirements, the following minimum cross sectional area of the protective conductors should be used:

Cross-sectional area of phase conductors, <i>S</i>	Minimum cross-sectional area of the corresponding protective conductor, <i>S<sub>p</sub></i>
mm <sup>2</sup>	mm <sup>2</sup>
<i>S</i> < 16	<i>S</i>
16 < <i>S</i> ≤ 35	16
<i>S</i> > 35	0,75 <i>S</i>

Equipotential bonding connection shall made using a conductor with a cross-sectional area of at least 4 mm<sup>2</sup>.

**Conduit Box** For ease of making connections, an oversize conduit box is provided. Most conduit boxes can be rotated 360° in 90° increments. Auxiliary conduit boxes are provided on some motors for accessories such as space heaters, RTD's etc.

**AC Power**

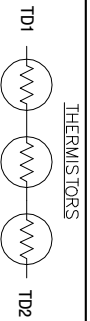
Motors with flying lead construction must be properly terminated and insulated. Connect the motor leads as shown on the connection diagram located on the name plate or inside the cover on the conduit box. Be sure the following guidelines are met:

1. AC power is within ±10% of rated voltage with rated frequency. (See motor name plate for ratings).
  - OR**
  2. AC power is within ±5% of rated frequency with rated voltage.
  - OR**
  3. A combined variation in voltage and frequency of ±10% (sum of absolute values) of rated values, provided the frequency variation does not exceed ±5% of rated frequency.
- Performance within these voltage and frequency variations are shown in Figure 2-4.

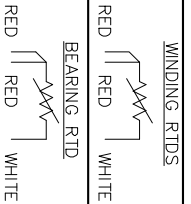
**Figure 2-3 Accessory Connections**



One heater is installed in each end of motor. Leads for each heater are labeled H1 & H2. (Like numbers should be tied together).



Three thermistors are installed in windings and tied in series. Leads are labeled TD1 & TD2.



Winding RTDs are installed in windings (2) per phase. Each set of leads is labeled 1TD1, 1TD2, 1TD3, 2TD1, 2TD2, 2TD3 etc.

- \* One bearing RTD is installed in Drive endplate (PUEP), leads are labeled RTDDE.
- \* One bearing RTD is installed in Opposite Drive endplate (FREP), leads are labeled RTDODE.
- \* Note RTD may have 2-Red/1-White leads, or 2-White/1-Red Lead.

**Rotation**

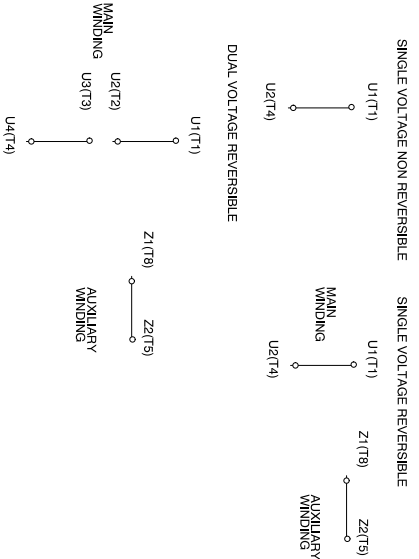
All three phase motors are reversible. To reverse the direction of rotation, disconnect and lock out power and interchange any two of the three line leads for three phase motors. For single phase motors, check the connection diagram to determine if the motor is reversible and follow the connection instructions for lead numbers to be interchanged. Not all single phase motors are reversible.

Adjustable Frequency Power Inverters used to supply adjustable frequency power to induction motors produce wave forms with lower order harmonics with voltage spikes superimposed. Turn-to-turn, phase-to-phase, and ground insulation of stator windings are subject to the resulting dielectric stresses. Suitable precautions should be taken in the design of these drive systems to minimize the magnitude of these voltage spikes. Consult the drive instructions for maximum acceptable motor lead lengths, and proper grounding.

Note: Main power leads for CE Marked Motors may be marked U, V, W – for standard configurations, please consult connection diagrams.

### Connection Diagrams AC Motor Connection Diagram

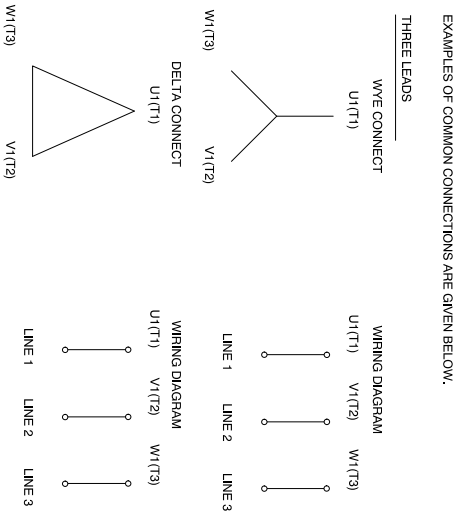
IEC VERSUS NEMA LEAD MARKING  
EXAMPLE COMPARISONS OF IEC AND NEMA LEADING MARKINGS FOR COMMON CONNECTION TYPES ARE SHOWN BELOW.  
SINGLE PHASE MOTORS



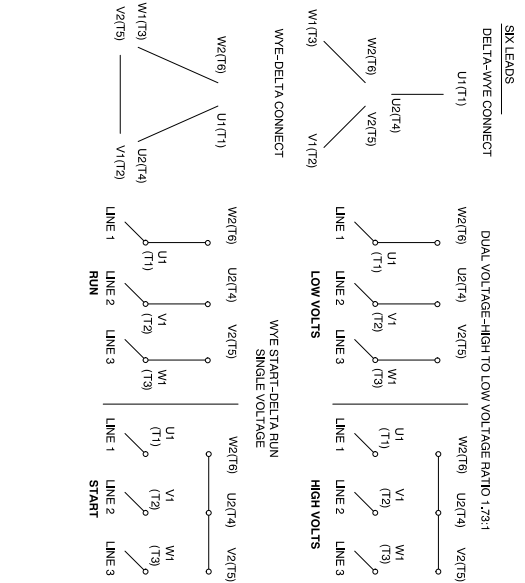
### AC Motor Connection Diagram

THREE PHASE  
FOR SINGLE WINDING 3 PHASE MOTORS, LEAD MARKINGS CAN BE DIRECTLY TRANSLATED FOR NEMA LEAD MARKINGS AS FOLLOWS:  
U1-T1      U2-T4      U3-T7      U4-T10  
V1-T2      V2-T5      V2-T8      V5-T11  
W1-T3      W2-T6      W5-T9      W6-T12

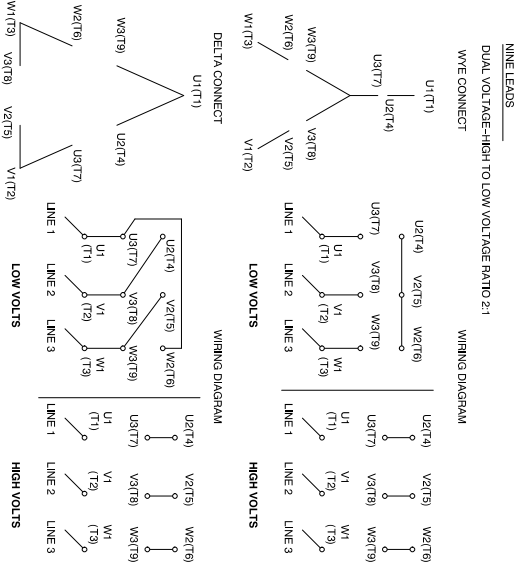
EXAMPLES OF COMMON CONNECTIONS ARE GIVEN BELOW.



### AC Motor Connection Diagram



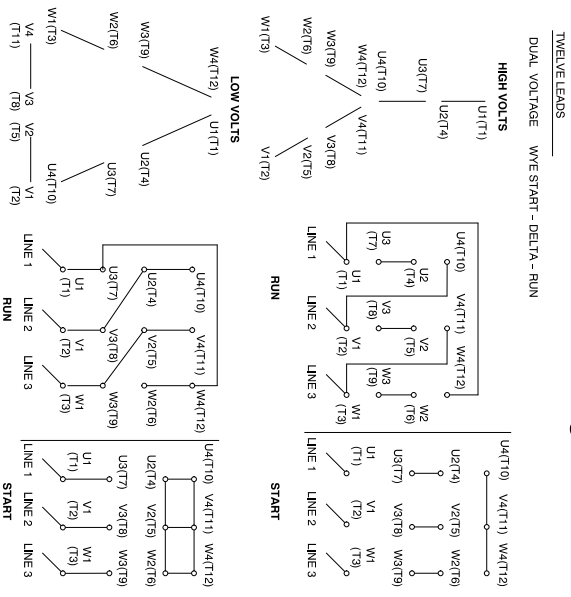
### AC Motor Connection Diagram



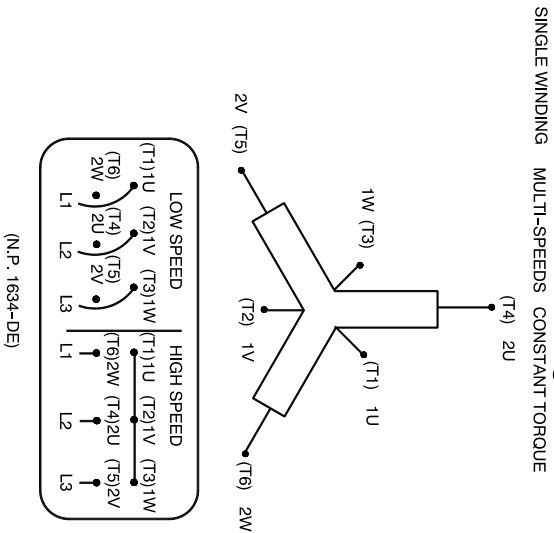
MN408

Installation & Operation 2-5

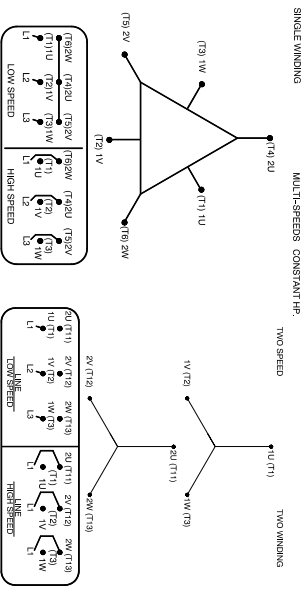
**Connection Diagrams Continued**  
**AC Motor Connection Diagram**



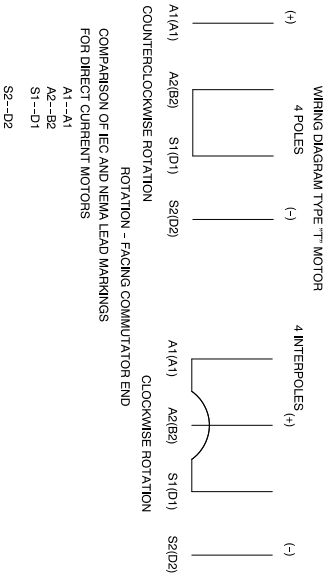
**AC Motor Connection Diagram**



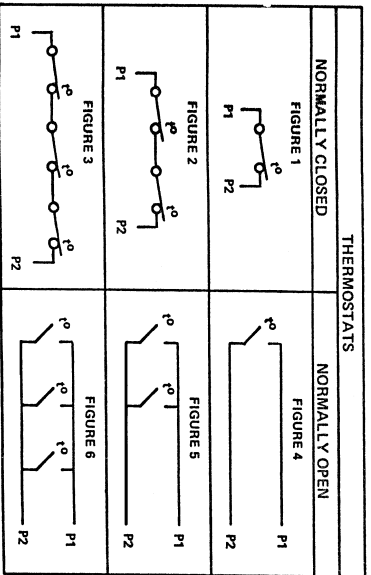
**AC Motor Connection Diagram**



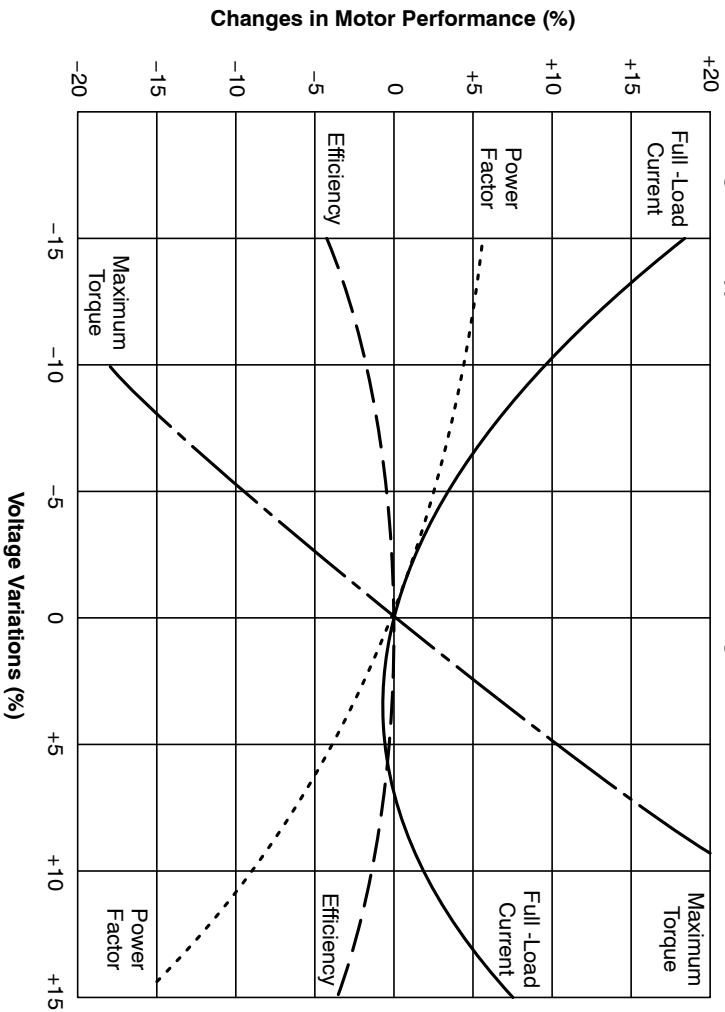
**DC Motor Connection Diagram**



<b>MOTOR WINDING THERMOSTATS</b>		<b>°C</b>	
CONTACTS	FIGURE NUMBER		
<b>CONTACT RATING</b>			
<b>VOLTS</b>	<b>CONTINUOUS AMPERES</b>	<b>INRUSH AMPERES</b>	
110 - 120	3.0	30	
220 - 240	1.5	15	
440 - 480	0.75	7.5	
550 - 600	0.60	6.0	



**Figure 2-4 Typical Motor Performance VS Voltage Variations**



**Initial Lubrication** Baldor•Reliance motors are shipped from the factory with the bearings properly packed with grease and ready to operate. Where the unit has been subjected to extended storage (6 months or more) the bearings should be relubricated (regreaseable type) prior to starting. When motors are equipped for oil mist lubrication refer to the instruction manual for installation, operation, and maintenance of oil mist lubrication systems.

**First Time Start Up** Be sure that all power to motor and accessories is off. Be sure the motor shaft is disconnected from the load and will not cause mechanical rotation of the motor shaft.

1. Make sure that the mechanical installation is secure. All bolts and nuts are tightened etc.
2. If motor has been in storage or idle for some time, check winding insulation integrity.
3. Inspect all electrical connections for proper termination, clearance, mechanical strength and electrical continuity.
4. Be sure all shipping materials and braces (if used) are removed from motor shaft.
5. Manually rotate the motor shaft to ensure that it rotates freely.
6. Replace all panels and covers that were removed during installation.
7. Momentarily apply power and check the direction of rotation of the motor shaft.
8. If motor rotation is wrong, be sure power is off and change the motor lead connections. Verify rotation direction before you continue.
9. Start the motor and ensure operation is smooth without excessive vibration or noise. If so, run the motor for 1 hour with no load connected.
10. After 1 hour of operation, disconnect power and connect the load to the motor shaft. Verify all coupling guards and protective devices are installed. Ensure motor is properly ventilated.
11. If motor is totally enclosed fan-cooled or non-ventilated it is recommended that condensation drain plugs, if present, be removed. These are located in the lower portion of the end-shields. Totally enclosed fan-cooled "XT" motors are normally equipped with automatic drains which may be left in place as received.

MN408

Installation & Operation 2-7

**Coupled Start Up** This procedure assumes a coupled start up. Also, that the first time start up procedure was successful.

1. Check the coupling and ensure that all guards and protective devices are installed.
2. Check that the coupling is properly aligned and not binding.
3. The first coupled start up should be with no load. Apply power and verify that the load is not transmitting excessive vibration back to the motor through the coupling or the foundation. Vibration should be at an acceptable level.
4. Run for approximately 1 hour with the driven equipment in an unloaded condition. The equipment can now be loaded and operated within specified limits. Do not exceed the name plate ratings for amperes for steady continuous loads.

**Jogging and Repeated Starts** Repeated starts and/or jogs of induction motors generally reduce the life of the motor winding insulation. A much greater amount of heat is produced by each acceleration or jog than by the same motor under full load. If it is necessary to repeatedly start or jog the motor, it is advisable to check the application with your local Baldor distributor or Baldor Service Center.

**Heating** - Duty rating and maximum ambient temperature are stated on the motor name plate. Do not exceed these values. If there is any question regarding safe operation, contact your local Baldor distributor or Baldor Service Center.

#### **Hazardous Locations**

Hazardous locations are those where there is a risk of ignition or explosion due to the presence of combustible gases, vapors, dust, fibers or flyings.

#### **Selection**

Facilities requiring special equipment for hazardous locations are typically classified in accordance with local requirements. In the US market, guidance is provided by the National Electric Code. In international hazardous location areas, guidance for gas / vapor / mist classification is given in IEC60079-14, or for dust in IEC61241-14. This classification process lets the installer know what equipment is suitable for installation in that environment, and identifies what the maximum safe temperature or temperature class is required. It is the customer or users responsibility to determine the area classification and select proper equipment.

Areas are classified with respect to risk and exposure to the hazard. In the US market, areas are typically classified as follows Class, Division, Group and Temperature Class. In some newer installations in the US and in most international markets, areas are classified in Zones.

#### **Protection Concepts**

**Class I Division 1 / Zone 1 [Equipment Group I (mining) or II (surface), Equipment Protection Level (EPL) Gb, Mb ]**

Baldor offers a range of motors suitable for installation in a Division 1 or Zone 1 environment. These motors are known as explosion proof or flameproof. (Insert flameproof motor cut away drawing) Motors that are explosion proof or flameproof use specially machined flameproof joints between the end bell or bracket and the frame, as well as along the rotating shaft and at connection box covers and entries. The fit of these flameproof joints are designed to contain the combustion or quench the flame of an explosive gas atmosphere prior to it exiting the motor. These flameproof joints have lengths and widths selected and tested based on the gas group present in the atmosphere. Baldor•Reliance motors are typically designed to meet Class I (Division 1) Group C and D (explosion proof) or Ex d IIB (flameproof).

An application note regarding equipment applied in accordance with the US National Electric Code (NFPA 70-2008) – according to Article 500.8(C) Marking, sub clause (2) in the fine print note, it is noted that Equipment not marked to indicate a division is suitable for both Division 1 and Division 2 locations. These motors are not gas tight. To the contrary, this protection concept assumes that due to the normal heating and cooling cycle of motor operation that any gas present will be drawn into the motor. Since flameproof or explosion proof motors are designed to contain the combustion and extinguish any flame transmission, for this protection concept, only external surface temperatures are of concern. Thermal limiting devices such as thermostats, thermistors or RTDs may be provided on these motors to limit the external surface temperature during overload conditions.

If thermostats are provided as a condition of certification, it is the installer's responsibility to make sure that these devices are properly connected to a suitable switching device. The ATEX directive requires that motor shutdown on thermal trip be accomplished without an intermediate software command. Flameproof motors, internationally referred to as Ex d use a protection concept similar to that used in Class I Division 1 motors, with minor differences in the flameproof joints and cable entry designs. Flameproof and explosion proof motors are both type tested. Representative motors are connected to a reference gas and ignited in laboratory conditions to verify that the flame is not transmitted outside the motor enclosure and to determine the maximum internal pressure encountered.

Explosion proof and Flame proof motors shipped without a conduit box require use of a certified box of suitable dimensions and that is appropriate for the classification.

#### **Class I Division 2 / Zone 2 Ex nA, [Equipment Protection Level (EPL) Gc ]**

This protection concept relies on having no sources of ignition present such as arcing parts or hot surfaces. For this protection concept, internal temperatures as well as external temperatures are considered. In many cases, the internal temperatures are higher than the external temperatures and therefore become the limiting factor. In determination of temperature code designation. In these applications, it is very important to use a motor that has been evaluated thermally for use with an inverter or converter, if variable speed operation is desired. Thermostats used for Class I Division 2 and Ex nA motors are used to protect the motor only. For motors using flying lead construction, it is important to use connection lugs and insulate with heat shrink tubing or a double wrap of insulation grade electrical tape to avoid the risk of spark or ignition.

#### **Class II Division 1 / Zone 21 [Equipment Group III, Equipment Protection Level (EPL) Db ]**

This area classification is one where the risk of ignitable concentrations of dust is present at all or some of the time. The protection concepts used for Class II Division 1 is similar to flamepath, except with additional dust exclusion paths designed for the rotating shaft. In the international designations, this concept is referred to as dust ignition proof or Ex tD. External surface temperature remains the limiting factor. Thermal limiting devices such as thermostats, thermistors or RTDs may be provided on these motors to limit the external surface temperature during overload conditions. If thermostats are provided as a condition of certification, it is the installer's responsibility to make sure that these devices are properly connected to a suitable switching device.

Note: In the North American area classification system, Class III exists for fibers and flyings.

In the IEC designation, both dusts and flyings are absorbed into Group III.

#### **Class II Division 2 / Zone 22 [Equipment Group III, Equipment Protection Level (EPL) Dc ]**

This area classification is one where the risk of exposure to ignitable concentrations of dust are not likely to occur under normal operating conditions and relies heavily on the housekeeping practices within the installation.

#### **Sine Wave Power Operation for Division 1 or 2 and Zone 1 or 2 and Zone 21 or 22 Hazardous Location.**

These motors are designed to operate at or below the maximum surface temperature (or T-Code) stated on the nameplate. Failure to operate the motor properly can cause this maximum surface temperature to be exceeded. If applied in a Division 1 or 2 / Zone 1 or 2 and Zone 21 or 22 environment, this excessive temperature may cause ignition of hazardous materials. Operating the motor at any of the following conditions can cause the marked surface temperature to be exceeded.

1. Motor load exceeding service factor nameplate value
2. Ambient temperatures above nameplate value
3. Voltages above or below nameplate value
4. Unbalanced voltages
5. Loss of proper ventilation
6. Altitude above 3300 feet / 1000 meters
7. Severe duty cycles of repeated starts
8. Motor stall
9. Motor reversing
10. Single phase operation of polyphase equipment
11. Variable frequency operation

#### **Variable Frequency Power Operation for Division 1 or 2 and Zone 1 or 2 and Zone 21 or 22**

**Hazardous Location** (motors with maximum surface temperature listed on the nameplate).

Only motors with nameplates marked for use on inverter (variable frequency) power, and labeled for specific hazardous areas may be used in those hazardous areas on inverter power. The motor is designed to operate at or below the maximum surface temperature (or T-Code) stated on the nameplate. Failure to operate the motor properly can cause this maximum surface temperature to be exceeded.



If applied in a Division 1 or 2 / Zone 1 or 2 and Zone 21 or 22 environment, this excessive temperature may cause ignition of hazardous materials. Operating the motor at any of the following conditions can cause the marked surface temperature to be exceeded.

1. Motor load exceeding service factor nameplate value
2. Ambient temperature above nameplate value
3. Voltage (at each operating frequency) above or below rated nameplate value
4. Unbalanced voltages
5. Loss of proper ventilation
6. Operation outside of the nameplate speed / frequency range
7. Altitudes above 3300 feet / 1000 meters
8. Single phase operation of polyphase equipment
9. Unstable current wave forms
10. Lower than name plate minimum carrier frequency

#### **Thermal Limiting**

Thermal limiting devices are temperature sensing control components installed inside the motor to limit the internal temperature of the motor frame by interrupting the circuit of the holding coil of the magnetic switch or contactor. They are required for most Division 1 and Zone 1 applications. For Division 2 or Zone 2 applications, motors should be selected that preclude running temperatures from exceeding the ignition temperatures for the designated hazardous material. In Division 2 or Zone 2 classified locations, thermal limiting devices should only be used for winding protection and not considered for limiting all internal motor temperatures to specific ignition temperatures.

#### **Equipotential Bonding and Shaft Current Reduction**

Larger motors (ie W/P construction) may require proper bonding between motor enclosures and covers to avoid the risk of stray currents during start up. Fastening methods and bonding straps must not be modified. Bearing currents can exist in some motors for both line-fed and inverter-fed applications. Larger line-fed motors may require at least one insulated bearing to prevent a flow of current through the bearings. Do not defeat such insulation whether the motor is line-fed or inverter-fed applications. Inverter-fed motors may require additional bearing insulation or even a shaft brush. Do not defeat such features. When the motor and the coupled load are not on a common conductive baseplate, it may also be necessary to electrically bond together the stationary parts of the motor and the coupled equipment.

#### **Repair of Motors used in Hazardous Locations**

Repair of hazardous certified motors requires additional information, skill, and care. It is the customer's responsibility to select service shops with proper qualifications to repair hazardous location motors. Contact the manufacturer for additional repair details. Use only original manufacturer's parts.

#### **Repair of Explosion Proof or Flame Proof Motors - Class I Division 1 and Zone 1**

In the North American market, recertification programs are offered by Underwriters Laboratories and Canadian Standards Association which allow authorized service shops to mark the rebuilt motors as certified. In the international markets using IEC based requirements, repair should be undertaken only after consulting IEC60079-19 Explosive Atmospheres-Part 19 Equipment repair, overhaul and reclamation. If use of a certified repair facility is desired, consult the IECEx Repair Scheme at

[http://www.iecex.com/service\\_facilities.htm](http://www.iecex.com/service_facilities.htm)

Explosion proof and flameproof motors achieve their safety based on the mechanical construction - flameproof joints and bearing clearance, and the electrical design including any thermal limiting devices. If it is necessary to repair a flameproof or explosion proof motor, it is critical that the mechanical flameproof joints be maintained. Consult Baldor Electric Company for flameproof joint construction details. Use only Baldor•Reliance supplied parts. Baldor does not recommend reclamation of parts. Since this protection method also relies on temperature being maintained, make sure that any rewinding uses the original electrical designs, including any thermal protection that may be present.

#### **Repair of Dust Ignition Proof Motors - Class II Division 1 and 2, Zone 21 and 22.**

For Dust Ignition Proof, proper sealing is required. Do not modify the motor construction to add any additional opening, and ensure that proper sealing is maintained in the connection box and at the shaft seal. Since this protection method also relies on temperature being maintained, make sure that any rewinding uses the original electrical designs, including any thermal protection that may be present.

#### **Repair of Class I Division 2 and Zone 2 motors**

For Division 2 and Zone 2, the internal and external temperatures are of concern. Since this protection method also relies on temperature being maintained, make sure that any rewinding uses the original electrical designs, including any thermal protection that may be present. Use only Baldor replacement thermostats, if provided.

## Section 3 Maintenance & Troubleshooting

**WARNING:** UL and EX Listed motors must only be serviced by UL or EX Approved Authorized Baldor Service Centers if these motors are to be returned to a hazardous and/or explosive atmosphere.

**General Inspection** Inspect the motor at regular intervals, approximately every 500 hours of operation or every 3 months, whichever occurs first. Keep the motor clean and the ventilation openings clear. The following steps should be performed at each inspection:

**WARNING:** Do not touch electrical connections before you first ensure that power has been disconnected. Electrical shock can cause serious or fatal injury. Only qualified personnel should attempt the installation, operation and maintenance of this equipment.

1. Check that the motor is clean. Check that the interior and exterior of the motor is free of dirt, oil, grease, water, etc. Oily vapor, paper pulp, textile lint, etc. can accumulate and block motor ventilation. If the motor is not properly ventilated, overheating can occur and cause early motor failure.
2. Perform a dielectric with stand test periodically to ensure that the integrity of the winding insulation has been maintained. Record the readings. Immediately investigate any significant decrease in insulation resistance.
3. Check all electrical connectors to be sure that they are tight.

**Relubrication & Bearings** Bearing grease will lose its lubricating ability over time, not suddenly. The lubricating ability of a grease (over time) depends primarily on the type of grease, the size of the bearing, the speed at which the bearing operates and the severity of the operating conditions. Good results can be obtained if the following recommendations are used in your maintenance program.

**Type of Grease** A high grade ball or roller bearing grease should be used. Recommended grease for standard service conditions is **Polyrex EM (Exxon Mobil)**. Do not mix greases unless compatibility has been checked and verified.

### Ball Bearing Motors

Operating Temperature -25°C (-15°F) to 50°C (120°F)	EXXON	POLYREX EM (Standard on Baldor motors)
	EXXON	UNIREX N2
	EXXON	BEACON 325
	CHEVRON OIL	SRI NO. 2 ( Compatible with Polyrex EM )
	CHEVRON OIL	BLACK PEARL
	TEXACO, INC.	PREMIUM RB
	TEXACO, INC.	POLYSTAR
	AMOCO	RYKON # 2
	PENNZOIL	PENNZLUBE EM-2
	DARMEK	DARMEK 707
	DARMEK	DARMEK 711
	PETRO-CANADA	PEERLESS LLG
	SHELL OIL	DOLLUM BRB

Minimum Starting Temperature -60°C (-76°F)	SHELL OIL CO.	AEROSHELL 7 (Standard on Baldor motors)
	MOBIL	MOBIL 28
	MOBIL	MOBILITH SHC 100 (Low Temperature – Arctic Duty)

### Roller Bearing Motors

Operating Temperature -25°C (-15°F) to 50°C (120°F)	TEXACO, INC.	PREMIUM RB
	MOBIL	MOBILITH SHC 220 (Standard on Baldor motors)
	CHEVRON OIL	BLACK PEARL

**Relubrication Intervals** Recommended relubrication intervals are shown in Table 3-2. It is important to realize that the recommended intervals of Table 3-2 are based on average use.

Refer to additional information contained in Tables 3-3, 3-4 and 3-5.

**Table 3-2 Relubrication Intervals \***

NEMA / (IEC) Frame Size	Rated Speed - RPM					
	10000	6000	3600	1800	1200	900
Up to 210 incl. (132)	**	2700 Hrs.	5500 Hrs.	12000 Hrs.	18000 Hrs.	22000 Hrs.
Over 210 to 280 incl. (180)		**	3600 Hrs.	9500 Hrs.	15000 Hrs.	18000 Hrs.
Over 280 to 360 incl. (225)		**	* 2200 Hrs.	7400 Hrs.	12000 Hrs.	15000 Hrs.
Over 360 to 449 incl. (315)		**	*2200 Hrs.	3500 Hrs.	7400 Hrs.	10500 Hrs.

\* Relubrication intervals are for ball bearings.

For vertically mounted motors and roller bearings, divide the relubrication interval by 2.

\*\* For motors operating at speeds greater than 3600 RPM, contact Baldor for relubrication recommendations.

**Table 3-3 Service Conditions**

Severity of Service	Hours per day of Operation	Ambient Temperature Maximum	Atmospheric Contamination
Standard	8	40° C	Clean, Little Corrosion
Severe	16 Plus	50° C	Moderate dirt, Corrosion
Extreme	16 Plus	>50° C* or Class H Insulation	Severe dirt, Abrasive dust, Corrosion, Heavy Shock or Vibration
Low Temperature		<-29° C **	

\* Special high temperature grease is recommended (Dow Corning DC44). Note that Dow Corning DC44 grease does not mix with other grease types. Thoroughly clean bearing & cavity before adding grease.

\*\* Special low temperature grease is recommended (Aeroshell 7).

**Table 3-4 Relubrication Interval Multiplier**

Severity of Service	Multiplier
Standard	1.0
Severe	0.5
Extreme	0.1
Low Temperature	1.0

Some motor designs use different bearings on each motor end. This is normally indicated on the motor nameplate. In this case, the larger bearing is installed on the motor Drive endplate. For best relubrication results, only use the appropriate amount of grease for each bearing size (not the same for both).

**Table 3-5 Bearings Sizes and Types**

Frame Size NEMA (IEC)	Bearing	Bearing Description (These are the "Large" Bearings (Shaft End) in each frame size)	
		Weight of Grease to add *	Volume of grease to be added
		oz (Grams)	In <sup>3</sup> teaspoon
56 to 140 (90)	6203	0.08 (2.4)	0.15      0.5
140 (90)	6205	0.15 (3.9)	0.2      0.8
180 (100-112)	6206	0.19 (5.0)	0.3      1.0
210 (132)	6307	0.30 (8.4)	0.6      2.0
250 (160)	6309	0.47 (12.5)	0.7      2.5
280 (180)	6311	0.61 (17)	1.2      3.9
320 (200)	6312	0.76 (20.1)	1.2      4.0
360 (225)	6313	0.81 (23)	1.5      5.2
400 (250)	6316	1.25 (33)	2.0      6.6
440 (280)	6319	2.12 (60)	4.1      13.4
5000 to 5800 (315-450)	6328	4.70 (130)	9.2      30.0
5000 to 5800 (315-450)	NU328	4.70 (130)	9.2      30.0
360 to 449 (225-280)	NU319	2.12 (60)	4.1      13.4
<b>AC Induction Servo</b>			
76 Frame 180 (112)	6207	0.22 (6.1)	0.44      1.4
77 Frame 210 (132)	6210	0.32 (9.0)	0.64      2.1
80 Frame 250 (160)	6213	0.49 (14.0)	0.99      3.3

\* Weight in grams = .005 DB of grease to be added  
 Note: Not all bearing sizes are listed.  
 For intermediate bearing sizes, use the grease volume for the next larger size bearing.

**Caution:** To avoid damage to motor bearings, grease must be kept free of dirt. For an extremely dirty environment, contact your Baldor distributor or an authorized Baldor Service Center for additional information.

**Relubrication Procedure** Be sure that the grease you are adding to the motor is compatible with the grease already in the motor. Consult your Baldor distributor or an authorized service center if a grease other than the recommended type is to be used.

**Caution:** Do not over-lubricate motor as this may cause premature bearing failure.

**With Grease Outlet Plug**

1. With the motor stopped, clean all grease fittings with a clean cloth.
2. Remove grease outlet plug.

**Caution:** Over-lubricating can cause excessive bearing temperatures, premature lubrication breakdown and bearing failure.

3. Add the recommended amount of grease.
4. Operate the motor for 15 minutes with grease plug removed. This allows excess grease to purge.
5. Re-install grease outlet plug.

**Without Grease Provisions**

**Note:** Only a Baldor authorized and UL or CSA certified service center can disassemble a UL/CSA listed explosion proof motor to maintain its UL/CSA listing.

1. Disassemble the motor.
2. Add recommended amount of grease to bearing and bearing cavity. (Bearing should be about 1/3 full of grease and outboard bearing cavity should be about 1/2 full of grease.)
3. Assemble the motor.

**Sample Relubrication Determination**

Assume - NEMA 286T (IEC 180), 1750 RPM motor driving an exhaust fan in an ambient temperature of 43° C and the atmosphere is moderately corrosive.

1. Table 3-2 list 9500 hours for standard conditions.
2. Table 3-3 classifies severity of service as "Severe".
3. Table 3-5 shows that 1.2 in<sup>3</sup> or 3.9 teaspoon of grease is to be added.

Note: Smaller bearings in size category may require reduced amounts of grease.

**Table 3-6 Troubleshooting Chart**

Symptom	Possible Causes	Possible Solutions
Motor will not start	Usually caused by line trouble, such as, single phasing at the starter.	Check source of power. Check overloads, fuses, controls, etc.
Excessive humming	High Voltage. Eccentric air gap.	Check input line connections. Have motor serviced at local Baldor service center.
Motor Over Heating	Overload. Compare actual amps (measured) with nameplate rating.	Locate and remove source of excessive friction in motor or load. Reduce load or replace with motor of greater capacity.
	Single Phasing.	Check current at all phases (should be approximately equal) to isolate and correct the problem.
	Improper ventilation.	Check external cooling fan to be sure air is moving properly across cooling fins. Excessive dirt build-up on motor. Clean motor.
	Unbalanced voltage.	Check voltage at all phases (should be approximately equal) to isolate and correct the problem.
	Rotor rubbing on stator.	Check air gap clearance and bearings.
	Over voltage or under voltage.	Tighten "Thru Bolts".
	Open stator winding.	Check input voltage at each phase to motor. Check stator resistance at all three phases for balance.
Bearing Over Heating	Grounded winding.	Perform dielectric test and repair as required.
	Improper connections.	Inspect all electrical connections for proper termination, clearance, mechanical strength and electrical continuity. Refer to motor lead connection diagram.
	Misalignment.	Check and align motor and driven equipment.
	Excessive belt tension.	Reduce belt tension to proper point for load.
	Excessive end thrust.	Reduce the end thrust from driven machine.
	Insufficient grease in bearing.	Remove grease until cavity is approximately 3/4 filled. Add grease until cavity is approximately 3/4 filled.
Vibration	Dirt in bearing.	Clean bearing cavity and bearing. Repack with correct grease until cavity is approximately 3/4 filled.
	Misalignment.	Check and align motor and driven equipment.
	Rubbing between rotating parts and stationary parts.	Isolate and eliminate cause of rubbing.
	Rotor out of balance.	Have rotor balance checked and repaired at your Baldor Service Center.
Noise	Resonance.	Tune system or contact your Baldor Service Center for assistance.
	Foreign material in air gap or ventilation openings.	Remove rotor and foreign material. Reinstall rotor. Check insulation integrity. Clean ventilation openings.
Growling or whining	Bad bearing.	Replace bearing. Clean all grease from cavity and new bearing. Repack with correct grease until cavity is approximately 3/4 filled.

MN408

Maintenance & Troubleshooting 3-5

**Suggested bearing and winding RTD setting guidelines for Non-Hazardous Locations ONLY**

Most large frame AC Baldor motors with a 1.15 service factor are designed to operate below a Class B (80°C) temperature rise at rated load and are built with a Class H winding insulation system. Based on this low temperature rise, RTD (Resistance Temperature Detectors) settings for Class B rise should be used as a starting point. Some motors with 1.0 service factor have Class F temperature rise.

The following tables show the suggested alarm and trip settings for RTDs. Proper bearing and winding RTD alarm and trip settings should be selected based on these tables unless otherwise specified for specific applications.

If the driven load is found to operate well below the initial temperature settings under normal conditions, the alarm and trip settings may be reduced so that an abnormal machine load will be identified.

The temperature limits are based on the installation of the winding RTDs imbedded in the winding as specified by NEMA. Bearing RTDs should be installed so they are in contact with the outer race on ball or roller bearings or in direct contact with the sleeve bearing shell.

**Winding RTDs - Temperature Limit In °C (40°C Maximum Ambient)**

Motor Load	Class B Temp Rise ≤ 80°C (Typical Design)		Class F Temp Rise ≤ 105°C		Class H Temp Rise ≤ 125°C	
	Alarm	Trip	Alarm	Trip	Alarm	Trip
≤ Rated Load	130	140	155	165	175	185
Rated Load to 1.15 S.F.	140	150	160	165	180	185

Note: • Winding RTDs are factory production installed, not from Mod-Express.  
• When Class H temperatures are used, consider bearing temperatures and relubrication requirements.

**Bearing RTDs - Temperature Limit In °C (40°C Maximum Ambient)**

Bearing Type Oil or Grease	Anti-Friction		Sleeve	
	Alarm	Trip	Alarm	Trip
Standard*	95	100	85	95
High Temperature**	110	115	105	110

Note: \* Bearing temperature limits are for standard design motors operating at Class B temperature rise.  
\*\* High temperature lubricants include some special synthetic oils and greases.

Greases that may be substituted that are compatible with Polyrex EM (but considered as "standard" lubricants) include the following:

- Texaco Polystar
- Mobilith SHC-100
- Darmex 707
- Rykon Premium #2
- Pennzoil Pennzlude EM-2
- Darmex 711
- Chevron SRI #2
- Chevron Black Pearl
- Petro-Canada Peerless LLG

See the motor nameplate for replacement grease or oil recommendation.  
Contact Baldor application engineering for special lubricants or further clarifications.

**Baldor District Offices Baldor District Offices Baldor District Offices**

**UNITED STATES**

**ARIZONA**  
**PHOENIX**  
 4271 S 43RD PLACE  
 PHOENIX, AZ 85046  
 PHONE: 602-944-0700  
 FAX: 602-474-0464

**ARKANSAS**  
**CLARKSVILLE**  
 1001 COLLEGE AVE  
 CLARKSVILLE, AR 72030  
 PHONE: 719-754-9108  
 FAX: 719-754-9205

**CALIFORNIA**  
**LOS ANGELES**  
 6680 LOTTLIA  
 COMMERCE, CA 90040  
 PHONE: 323-724-6771  
 FAX: 323-721-5889

**HAWAII**  
**HILO**  
 2108 FORDRESS STREET  
 HILO, HI 96720  
 PHONE: 949-975-9900  
 FAX: 949-975-9910

**COLORADO**  
**DENVER**  
 3855 ForeastStreet  
 Denver, CO 80207  
 PHONE: 303-633-0172  
 FAX: 303-592-5172

**CONNECTICUT**  
**WALLINGFORD**  
 65 SOUTH TITRIPPIE ROAD  
 WALLINGFORD, CT 06482  
 PHONE: 203-269-1354  
 FAX: 203-269-5485

**FLORIDA**  
**TAMPA**  
 3905 EAST 11TH AVENUE  
 TAMPA, FL 33605  
 PHONE: 813-248-5078  
 FAX: 813-247-2984

**GEORGIA**  
**ATLANTA**  
 62 TECHNOLOGY DR  
 ATLANTA, GA 30305  
 PHONE: 404-771-2000  
 FAX: 404-771-2200

**ILLINOIS**  
**CHICAGO**  
 4 SAMMONS COURT  
 BOLINGBROOK, IL 60440  
 PHONE: 838-296-1400  
 FAX: 838-228-9420

**INDIANA**  
**INDIANAPOLIS**  
 5525 W. MINNESOTA STREET  
 INDIANAPOLIS, IN 46241  
 PHONE: 317-246-5100  
 FAX: 317-246-5110

**IOWA**  
**DES MOINES**  
 2333 STREET SUITE C  
 DES MOINES, IA 50316  
 PHONE: 515-263-8929  
 FAX: 515-263-8615

**MARYLAND**  
**BALTIMORE**  
 6680 SANTA BARBARA RD  
 SUITE 22-24  
 ELKRIEDE, MD 21075  
 PHONE: 410-919-2133  
 FAX: 410-919-2977

**MASSACHUSETTS**  
**PITTSBURGH**  
 159 PROWINCENCE DRIVE  
 NEW KENSINGTON, PA 15088  
 PHONE: 724-888-0092  
 FAX: 724-888-0708

**MICHIGAN**  
**DETROIT**  
 5993 ProgressDrive  
 STERLING HEIGHTS, MI 48312  
 PHONE: 588-978-8900  
 FAX: 588-978-8989

**MINNESOTA**  
**DULLES**  
 21881 13TH AVE NORTH  
 ROGERS, MN 55774  
 PHONE: 763-428-3333  
 FAX: 763-428-4551

**MISSOURI**  
**ST LOUIS**  
 422 INDUSTRIAL DRIVE  
 ST LOUIS, MO 63043  
 PHONE: 314-298-7860  
 FAX: 314-298-7860

**KANSAS CITY**  
 1901 BEDFORD AVENUE  
 NORTH KANSAS CITY, MO 64116  
 PHONE: 816-587-0272  
 FAX: 816-587-3735

**NEW YORK**  
**ALBANY**  
 ONE ELLIS DRIVE  
 ALBANY, NY 12021  
 PHONE: 518-255-3403  
 FAX: 518-253-9923

**NORTH CAROLINA**  
**GREENSBORO**  
 1020 RIVERWOOD ROAD  
 GREENSBORO, NC 27409  
 PHONE: 336-272-8104  
 FAX: 336-272-8628

**OHIO**  
**CINCINNATI**  
 2929 CRESCENTVILLE ROAD  
 WEST CHESTER, OH 45069  
 PHONE: 513-771-7800  
 FAX: 513-771-2279

**CONNECTICUT**  
**GREENWICH**  
 8629 REEWAY DRIVE  
 MACEDONIA, OH 44056  
 PHONE: 339-488-4777  
 FAX: 339-488-4778

**OKLAHOMA**  
**TULSA**  
 1770 S. Braden, Ste#140  
 TULSA, OK 74106  
 PHONE: 918-386-9320  
 FAX: 918-386-9338

**OREGON**  
**PORTLAND**  
 20383 SIV AVERY COURT  
 TUALATIN, OR 97062  
 PHONE: 503-691-9070  
 FAX: 503-691-9072

**PENNSYLVANIA**  
**PHILADELPHIA**  
 1035 THOMAS BUSCH  
 MEMORIAL HIGHWAY  
 PENNSAUKEN, NJ 08110  
 PHONE: 856-681-1442  
 FAX: 856-683-8933

**TEXAS**  
**DALLAS**  
 21881 13TH AVE NORTH  
 ROGERS, MN 55774  
 PHONE: 763-428-3333  
 FAX: 763-428-4551

**UTAH**  
**SALT LAKE CITY**  
 2230 SOUTH MAIN STREET  
 SALT LAKE CITY, UT 84115  
 PHONE: 801-832-0172  
 FAX: 801-832-9911

**WISCONSIN**  
**MILWAUKEE**  
 2725 SOUTH 163RD STREET  
 NEW BERRIN, WI 53151  
 PHONE: 262-784-6940  
 FAX: 262-784-1215

**INTERNATIONAL SALES**  
**PORT SMITH, AR**  
 1000 W. LIMEWOOD RD  
 HOUSTON, TX 77041  
 PHONE: (281) 971-6500  
 FAX: (281) 971-6510

**UTAH**  
**SALT LAKE CITY**  
 2230 SOUTH MAIN STREET  
 SALT LAKE CITY, UT 84115  
 PHONE: 801-832-0172  
 FAX: 801-832-9911

**WEST VIRGINIA**  
**CHARLOTTE**  
 2725 SOUTH 163RD STREET  
 NEW BERRIN, WI 53151  
 PHONE: 262-784-6940  
 FAX: 262-784-1215

**INTERNATIONAL SALES**  
**PORT SMITH, AR**  
 1000 W. LIMEWOOD RD  
 HOUSTON, TX 77041  
 PHONE: (281) 971-6500  
 FAX: (281) 971-6510

**UTAH**  
**SALT LAKE CITY**  
 2230 SOUTH MAIN STREET  
 SALT LAKE CITY, UT 84115  
 PHONE: 801-832-0172  
 FAX: 801-832-9911

**WEST VIRGINIA**  
**CHARLOTTE**  
 2725 SOUTH 163RD STREET  
 NEW BERRIN, WI 53151  
 PHONE: 262-784-6940  
 FAX: 262-784-1215

**INTERNATIONAL SALES**  
**PORT SMITH, AR**  
 1000 W. LIMEWOOD RD  
 HOUSTON, TX 77041  
 PHONE: (281) 971-6500  
 FAX: (281) 971-6510

**UTAH**  
**SALT LAKE CITY**  
 2230 SOUTH MAIN STREET  
 SALT LAKE CITY, UT 84115  
 PHONE: 801-832-0172  
 FAX: 801-832-9911

**WEST VIRGINIA**  
**CHARLOTTE**  
 2725 SOUTH 163RD STREET  
 NEW BERRIN, WI 53151  
 PHONE: 262-784-6940  
 FAX: 262-784-1215

**INTERNATIONAL SALES**  
**PORT SMITH, AR**  
 1000 W. LIMEWOOD RD  
 HOUSTON, TX 77041  
 PHONE: (281) 971-6500  
 FAX: (281) 971-6510

**UTAH**  
**SALT LAKE CITY**  
 2230 SOUTH MAIN STREET  
 SALT LAKE CITY, UT 84115  
 PHONE: 801-832-0172  
 FAX: 801-832-9911

**WEST VIRGINIA**  
**CHARLOTTE**  
 2725 SOUTH 163RD STREET  
 NEW BERRIN, WI 53151  
 PHONE: 262-784-6940  
 FAX: 262-784-1215

**INTERNATIONAL SALES**  
**PORT SMITH, AR**  
 1000 W. LIMEWOOD RD  
 HOUSTON, TX 77041  
 PHONE: (281) 971-6500  
 FAX: (281) 971-6510

**UTAH**  
**SALT LAKE CITY**  
 2230 SOUTH MAIN STREET  
 SALT LAKE CITY, UT 84115  
 PHONE: 801-832-0172  
 FAX: 801-832-9911

**WEST VIRGINIA**  
**CHARLOTTE**  
 2725 SOUTH 163RD STREET  
 NEW BERRIN, WI 53151  
 PHONE: 262-784-6940  
 FAX: 262-784-1215

**INTERNATIONAL SALES**  
**PORT SMITH, AR**  
 1000 W. LIMEWOOD RD  
 HOUSTON, TX 77041  
 PHONE: (281) 971-6500  
 FAX: (281) 971-6510

**UTAH**  
**SALT LAKE CITY**  
 2230 SOUTH MAIN STREET  
 SALT LAKE CITY, UT 84115  
 PHONE: 801-832-0172  
 FAX: 801-832-9911

**WEST VIRGINIA**  
**CHARLOTTE**  
 2725 SOUTH 163RD STREET  
 NEW BERRIN, WI 53151  
 PHONE: 262-784-6940  
 FAX: 262-784-1215

**INTERNATIONAL SALES**  
**PORT SMITH, AR**  
 1000 W. LIMEWOOD RD  
 HOUSTON, TX 77041  
 PHONE: (281) 971-6500  
 FAX: (281) 971-6510

**UTAH**  
**SALT LAKE CITY**  
 2230 SOUTH MAIN STREET  
 SALT LAKE CITY, UT 84115  
 PHONE: 801-832-0172  
 FAX: 801-832-9911

**WEST VIRGINIA**  
**CHARLOTTE**  
 2725 SOUTH 163RD STREET  
 NEW BERRIN, WI 53151  
 PHONE: 262-784-6940  
 FAX: 262-784-1215

**INTERNATIONAL SALES**  
**PORT SMITH, AR**  
 1000 W. LIMEWOOD RD  
 HOUSTON, TX 77041  
 PHONE: (281) 971-6500  
 FAX: (281) 971-6510

**UTAH**  
**SALT LAKE CITY**  
 2230 SOUTH MAIN STREET  
 SALT LAKE CITY, UT 84115  
 PHONE: 801-832-0172  
 FAX: 801-832-9911

**WEST VIRGINIA**  
**CHARLOTTE**  
 2725 SOUTH 163RD STREET  
 NEW BERRIN, WI 53151  
 PHONE: 262-784-6940  
 FAX: 262-784-1215

**INTERNATIONAL SALES**  
**PORT SMITH, AR**  
 1000 W. LIMEWOOD RD  
 HOUSTON, TX 77041  
 PHONE: (281) 971-6500  
 FAX: (281) 971-6510

**UTAH**  
**SALT LAKE CITY**  
 2230 SOUTH MAIN STREET  
 SALT LAKE CITY, UT 84115  
 PHONE: 801-832-0172  
 FAX: 801-832-9911

**WEST VIRGINIA**  
**CHARLOTTE**  
 2725 SOUTH 163RD STREET  
 NEW BERRIN, WI 53151  
 PHONE: 262-784-6940  
 FAX: 262-784-1215

**INTERNATIONAL SALES**  
**PORT SMITH, AR**  
 1000 W. LIMEWOOD RD  
 HOUSTON, TX 77041  
 PHONE: (281) 971-6500  
 FAX: (281) 971-6510

**UTAH**  
**SALT LAKE CITY**  
 2230 SOUTH MAIN STREET  
 SALT LAKE CITY, UT 84115  
 PHONE: 801-832-0172  
 FAX: 801-832-9911

**WEST VIRGINIA**  
**CHARLOTTE**  
 2725 SOUTH 163RD STREET  
 NEW BERRIN, WI 53151  
 PHONE: 262-784-6940  
 FAX: 262-784-1215

**INTERNATIONAL SALES**  
**PORT SMITH, AR**  
 1000 W. LIMEWOOD RD  
 HOUSTON, TX 77041  
 PHONE: (281) 971-6500  
 FAX: (281) 971-6510

**UTAH**  
**SALT LAKE CITY**  
 2230 SOUTH MAIN STREET  
 SALT LAKE CITY, UT 84115  
 PHONE: 801-832-0172  
 FAX: 801-832-9911

**WEST VIRGINIA**  
**CHARLOTTE**  
 2725 SOUTH 163RD STREET  
 NEW BERRIN, WI 53151  
 PHONE: 262-784-6940  
 FAX: 262-784-1215

**INTERNATIONAL SALES**  
**PORT SMITH, AR**  
 1000 W. LIMEWOOD RD  
 HOUSTON, TX 77041  
 PHONE: (281) 971-6500  
 FAX: (281) 971-6510

**UTAH**  
**SALT LAKE CITY**  
 2230 SOUTH MAIN STREET  
 SALT LAKE CITY, UT 84115  
 PHONE: 801-832-0172  
 FAX: 801-832-9911

**WEST VIRGINIA**  
**CHARLOTTE**  
 2725 SOUTH 163RD STREET  
 NEW BERRIN, WI 53151  
 PHONE: 262-784-6940  
 FAX: 262-784-1215

**INTERNATIONAL SALES**  
**PORT SMITH, AR**  
 1000 W. LIMEWOOD RD  
 HOUSTON, TX 77041  
 PHONE: (281) 971-6500  
 FAX: (281) 971-6510

**UTAH**  
**SALT LAKE CITY**  
 2230 SOUTH MAIN STREET  
 SALT LAKE CITY, UT 84115  
 PHONE: 801-832-0172  
 FAX: 801-832-9911

**WEST VIRGINIA**  
**CHARLOTTE**  
 2725 SOUTH 163RD STREET  
 NEW BERRIN, WI 53151  
 PHONE: 262-784-6940  
 FAX: 262-784-1215

**INTERNATIONAL SALES**  
**PORT SMITH, AR**  
 1000 W. LIMEWOOD RD  
 HOUSTON, TX 77041  
 PHONE: (281) 971-6500  
 FAX: (281) 971-6510

**UTAH**  
**SALT LAKE CITY**  
 2230 SOUTH MAIN STREET  
 SALT LAKE CITY, UT 84115  
 PHONE: 801-832-0172  
 FAX: 801-832-9911

**WEST VIRGINIA**  
**CHARLOTTE**  
 2725 SOUTH 163RD STREET  
 NEW BERRIN, WI 53151  
 PHONE: 262-784-6940  
 FAX: 262-784-1215

**INTERNATIONAL SALES**  
**PORT SMITH, AR**  
 1000 W. LIMEWOOD RD  
 HOUSTON, TX 77041  
 PHONE: (281) 971-6500  
 FAX: (281) 971-6510

**UTAH**  
**SALT LAKE CITY**  
 2230 SOUTH MAIN STREET  
 SALT LAKE CITY, UT 84115  
 PHONE: 801-832-0172  
 FAX: 801-832-9911

**WEST VIRGINIA**  
**CHARLOTTE**  
 2725 SOUTH 163RD STREET  
 NEW BERRIN, WI 53151  
 PHONE: 262-784-6940  
 FAX: 262-784-1215

**INTERNATIONAL SALES**  
**PORT SMITH, AR**  
 1000 W. LIMEWOOD RD  
 HOUSTON, TX 77041  
 PHONE: (281) 971-6500  
 FAX: (281) 971-6510

**UTAH**  
**SALT LAKE CITY**  
 2230 SOUTH MAIN STREET  
 SALT LAKE CITY, UT 84115  
 PHONE: 801-832-0172  
 FAX: 801-832-9911

**WEST VIRGINIA**  
**CHARLOTTE**  
 2725 SOUTH 163RD STREET  
 NEW BERRIN, WI 53151  
 PHONE: 262-784-6940  
 FAX: 262-784-1215

**INTERNATIONAL SALES**  
**PORT SMITH, AR**  
 1000 W. LIMEWOOD RD  
 HOUSTON, TX 77041  
 PHONE: (281) 971-6500  
 FAX: (281) 971-6510

**UTAH**  
**SALT LAKE CITY**  
 2230 SOUTH MAIN STREET  
 SALT LAKE CITY, UT 84115  
 PHONE: 801-832-0172  
 FAX: 801-832-9911

**WEST VIRGINIA**  
**CHARLOTTE**  
 2725 SOUTH 163RD STREET  
 NEW BERRIN, WI 53151  
 PHONE: 262-784-6940  
 FAX: 262-784-1215

**INTERNATIONAL SALES**  
**PORT SMITH, AR**  
 1000 W. LIMEWOOD RD  
 HOUSTON, TX 77041  
 PHONE: (281) 971-6500  
 FAX: (281) 971-6510

**UTAH**  
**SALT LAKE CITY**  
 2230 SOUTH MAIN STREET  
 SALT LAKE CITY, UT 84115  
 PHONE: 801-832-0172  
 FAX: 801-832-9911

**WEST VIRGINIA**  
**CHARLOTTE**  
 2725 SOUTH 163RD STREET  
 NEW BERRIN, WI 53151  
 PHONE: 262-784-6940  
 FAX: 262-784-1215

**INTERNATIONAL SALES**  
**PORT SMITH, AR**  
 1000 W. LIMEWOOD RD  
 HOUSTON, TX 77041  
 PHONE: (281) 971-6500  
 FAX: (281) 971-6510

**UTAH**  
**SALT LAKE CITY**  
 2230 SOUTH MAIN STREET  
 SALT LAKE CITY, UT 84115  
 PHONE: 801-832-0172  
 FAX: 801-832-9911

**WEST VIRGINIA**  
**CHARLOTTE**  
 2725 SOUTH 163RD STREET  
 NEW BERRIN, WI 53151  
 PHONE: 262-784-6940  
 FAX: 262-784-1215

**INTERNATIONAL SALES**  
**PORT SMITH, AR**  
 1000 W. LIMEWOOD RD  
 HOUSTON, TX 77041  
 PHONE: (281) 971-6500  
 FAX: (281) 971-6510

**UTAH**  
**SALT LAKE CITY**  
 2230 SOUTH MAIN STREET  
 SALT LAKE CITY, UT 84115  
 PHONE: 801-832-0172  
 FAX: 801-832-9911

**WEST VIRGINIA**  
**CHARLOTTE**  
 2725 SOUTH 163RD STREET  
 NEW BERRIN, WI 53151  
 PHONE: 262-784-6940  
 FAX: 262-784-1215

**INTERNATIONAL SALES**  
**PORT SMITH, AR**  
 1000 W. LIMEWOOD RD  
 HOUSTON, TX 77041  
 PHONE: (281) 971-6500  
 FAX: (281) 971-6510

**UTAH**  
**SALT LAKE CITY**  
 2230 SOUTH MAIN STREET  
 SALT LAKE CITY, UT 84115  
 PHONE: 801-832-0172  
 FAX: 801-832-9911

**WEST VIRGINIA**  
**CHARLOTTE**  
 2725 SOUTH 163RD STREET  
 NEW BERRIN, WI 53151  
 PHONE: 262-784-6940  
 FAX: 262-784-1215

**INTERNATIONAL SALES**  
**PORT SMITH, AR**  
 1000 W. LIMEWOOD RD  
 HOUSTON, TX 77041  
 PHONE: (281) 971-6500  
 FAX: (281) 971-6510

**UTAH**  
**SALT LAKE CITY**  
 2230 SOUTH MAIN STREET  
 SALT LAKE CITY, UT 84115  
 PHONE: 801-832-0172  
 FAX: 801-832-9911

**WEST VIRGINIA**  
**CHARLOTTE**  
 2725 SOUTH 163RD STREET  
 NEW BERRIN, WI 53151  
 PHONE: 262-784-6940  
 FAX: 262-784-1215

**INTERNATIONAL SALES**  
**PORT SMITH, AR**  
 1000 W. LIMEWOOD RD  
 HOUSTON, TX 77041  
 PHONE: (281) 971-6500  
 FAX: (281) 971-6510

**UTAH**  
**SALT LAKE CITY**  
 2230 SOUTH MAIN STREET  
 SALT LAKE CITY, UT 84115  
 PHONE: 801-832-0172  
 FAX: 801-832-9911

**WEST VIRGINIA**  
**CHARLOTTE**  
 2725 SOUTH 163RD STREET  
 NEW BERRIN, WI 53151  
 PHONE: 262-784-6940  
 FAX: 262-784-1215

**INTERNATIONAL SALES**  
**PORT SMITH, AR**  
 1000 W. LIMEWOOD RD  
 HOUSTON, TX 77041  
 PHONE: (281) 971-6500  
 FAX: (281) 971-6510

**UTAH**  
**SALT LAKE CITY**  
 2230 SOUTH MAIN STREET  
 SALT LAKE CITY, UT 84115  
 PHONE: 801-832-0172  
 FAX: 801-832-9911

**WEST VIRGINIA**  
**CHARLOTTE**  
 2725 SOUTH 163RD STREET  
 NEW BERRIN, WI 53151  
 PHONE: 262-784-6940  
 FAX: 262-784-1215

**INTERNATIONAL SALES**  
**PORT SMITH, AR**  
 1000 W. LIMEWOOD RD  
 HOUSTON, TX 77041  
 PHONE: (281) 971-6500  
 FAX: (281) 971-6510

**UTAH**  
**SALT LAKE CITY**  
 2230 SOUTH MAIN STREET  
 SALT LAKE CITY, UT 84115  
 PHONE: 801-832-0172  
 FAX: 801-832-9911

**WEST VIRGINIA**  
**CHARLOTTE**  
 2725 SOUTH 163RD STREET  
 NEW BERRIN, WI 53151  
 PHONE: 262-784-6940  
 FAX: 262-784-1215

**INTERNATIONAL SALES**  
**PORT SMITH, AR**  
 1000 W. LIMEWOOD RD  
 HOUSTON, TX 77041  
 PHONE: (281) 971-6500  
 FAX: (281) 971-6510

**UTAH**  
**SALT LAKE CITY**  
 2230 SOUTH MAIN STREET  
 SALT LAKE CITY, UT 84115  
 PHONE: 801-832-0172  
 FAX: 801-832-9911

**WEST VIRGINIA**  
**CHARLOTTE**  
 2725 SOUTH 163RD STREET  
 NEW BERRIN, WI 53151  
 PHONE: 262-784-6940  
 FAX: 262-784-1215

**INTERNATIONAL SALES**  
**PORT SMITH, AR**  
 1000 W. LIMEWOOD RD  
 HOUSTON, TX 77041  
 PHONE: (281) 971-6500  
 FAX: (281) 971-6510

**UTAH**  
**SALT LAKE CITY**  
 2230 SOUTH MAIN STREET  
 SALT LAKE CITY, UT 84115  
 PHONE: 801-832-0172  
 FAX: 801-832-9911

**WEST VIRGINIA**  
**CHARLOTTE**  
 2725 SOUTH 163RD STREET  
 NEW BERRIN, WI 53151  
 PHONE: 262-784-6940  
 FAX: 262-784-1215

**INTERNATIONAL SALES**  
**PORT SMITH, AR**  
 1000 W. LIMEWOOD RD  
 HOUSTON, TX 77041  
 PHONE: (281) 971-6500  
 FAX: (281) 971-6510

**UTAH**  
**SALT LAKE CITY**  
 2230 SOUTH MAIN STREET  
 SALT LAKE CITY, UT 84115  
 PHONE: 801-832-0172  
 FAX: 801-832-9911

**WEST VIRGINIA**  
**CHARLOTTE**  
 2725 SOUTH 163RD STREET  
 NEW BERRIN, WI 53151  
 PHONE: 262-784-6940  
 FAX: 262-784-1215

**INTERNATIONAL SALES**  
**PORT SMITH, AR**  
 1000 W. LIMEWOOD RD  
 HOUSTON, TX 77041  
 PHONE: (281) 971-6500  
 FAX: (281) 971-6510

**UTAH**  
**SALT LAKE CITY**  
 2230 SOUTH MAIN STREET  
 SALT LAKE CITY, UT 84115  
 PHONE: 801-832-0172  
 FAX: 801-832-9911

**WEST VIRGINIA**  
**CHARLOTTE**  
 2725 SOUTH 163RD STREET  
 NEW BERRIN, WI 53151  
 PHONE: 262-784-6940  
 FAX: 262-784-1215

**INTERNATIONAL SALES**  
**PORT SMITH, AR**  
 1000 W. LIMEWOOD RD  
 HOUSTON, TX 77041  
 PHONE: (281) 971-6500  
 FAX: (281) 971-6510

**UTAH**  
**SALT LAKE CITY**  
 2230 SOUTH MAIN STREET  
 SALT LAKE CITY, UT 84115  
 PHONE: 801-832-0172  
 FAX: 801-832-9911

**WEST VIRGINIA**  
**CHARLOTTE**  
 2725 SOUTH 163RD STREET  
 NEW BERRIN, WI 53151  
 PHONE: 262-784-6940  
 FAX: 262-784-1215

**INTERNATIONAL SALES**  
**PORT SMITH, AR**  
 1000 W. LIMEWOOD RD  
 HOUSTON, TX 77041  
 PHONE: (281) 971-6500  
 FAX: (281) 971-6510

**UTAH**  
**SALT LAKE CITY**  
 2230 SOUTH MAIN STREET  
 SALT LAKE CITY, UT 84115  
 PHONE: 801-832-0172  
 FAX: 801-832-9911

**WEST VIRGINIA**  
**CHARLOTTE**  
 2725 SOUTH 163RD STREET  
 NEW BERRIN, WI 53151  
 PHONE: 262-784-6940  
 FAX: 262-784-1215

**INTERNATIONAL SALES**  
**PORT SMITH, AR**  
 1000 W. LIMEWOOD RD  
 HOUSTON, TX 77041  
 PHONE: (281) 971-6500  
 FAX: (281) 971-6510

**UTAH**  
**SALT LAKE CITY**  
 2230 SOUTH MAIN STREET  
 SALT LAKE CITY, UT 84115  
 PHONE: 801-832-0172  
 FAX: 801-832-9911

**WEST VIRGINIA**  
**CHARLOTTE**  
 2725 SOUTH 163RD STREET  
 NEW BERRIN, WI 53151  
 PHONE: 262-784-6940  
 FAX: 262-784-1215

**INTERNATIONAL SALES**  
**PORT SMITH, AR**  
 1000 W. LIMEWOOD RD  
 HOUSTON, TX 77041  
 PHONE: (281) 971-6500  
 FAX: (281) 971-6510

**UTAH**  
**SALT LAKE CITY**  
 2230 SOUTH MAIN STREET  
 SALT LAKE CITY, UT 84115  
 PHONE: 801-832-0172  
 FAX: 801-832-9911

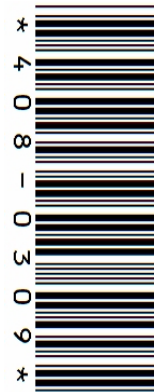
**WEST VIRGINIA**  
**CHARLOTTE**  
 2725 SOUTH 163RD STREET  
 NEW BERRIN, WI 53151  
 PHONE: 262-784-6940  
 FAX: 262-784-1215

**INTERNATIONAL SALES**  
**PORT SMITH, AR**  
 1000 W. LIMEWOOD RD  
 HOUSTON, TX 77041  
 PHONE: (281) 971-6500  
 FAX: (281) 971-6510

**UTAH**  
**SALT LAKE CITY**  
 2230 SOUTH MAIN STREET  
 SALT LAKE CITY, UT 84115  
 PHONE: 801-832-0172  
 FAX: 801-832-9911

**WEST VIRGINIA**  
**CHARLOTTE**  
 2725 SOUTH





**BALDOR ELECTRIC COMPANY**  
World Headquarters  
P.O. Box 2400 Fort Smith, AR 72901-2400  
(479) 646-4711 Fax (479) 648-5792  
[www.baldor.com](http://www.baldor.com)

© 2009 Baldor Electric Company  
MN408

All rights reserved. Printed in USA  
3/09

## AC & DC Motor Installation & Maintenance

**Safety Notice** Be sure to read and understand all of the Safety Notice statements in MN4408. A copy is available at:  
[http://www.baldor.com/support/literature\\_load.asp?MainNumber=MN4408](http://www.baldor.com/support/literature_load.asp?MainNumber=MN4408)

### ACCEPTANCE

Thoroughly inspect this equipment before accepting shipment from the transportation company. If any damage or shortage is discovered do not accept until noted on the freight bill. Report all damage to the freight carrier.

### SAFETY

Eye bolts, lifting lugs or lifting openings, if provided, are intended only for lifting the motor and motor mounted standard accessories not exceeding, in total 30% of the motor weight. These lifting provisions should never be used when lifting or handling the motor and driven equipment. Eye bolt lifting capacity rating is based on a lifting alignment coincident with eye bolt center line. Eye bolt capacity reduces as deviation from this alignment is increased. Be sure eye bolts are tight and prevented from turning before lifting.

### INSTALLATION OUTSIDE THE USA:

Refer to MN4408 and MN1383 for Compliance with European Directives. Copies are available at:

[http://www.baldor.com/support/literature\\_load.asp](http://www.baldor.com/support/literature_load.asp)

### MOTOR ENCLOSURE

ODP, Open drip proof motors are intended for use in clean, dry locations with adequate supply of cooling air. These motors should not be used in the presence of flammable or combustible materials. Open motors can emit flame and/or molten metal in the event of insulation failure.

TEFC, totally enclosed motors are intended for use where moisture, dirt and/or corrosive materials are present in indoor and outdoor locations.

**Explosion protected** motors, as indicated by a Nationally Recognized Testing Laboratory Certification mark and marking with Class, Division and Temperature Code are intended for installation in hazardous locations as described in Article 500 of the NEC. Refer to MN4408 for more details.

### MOUNTING

**Foot mounted** machines should be mounted to a rigid foundation to prevent excessive vibration. Shimms may be used if location is uneven.

**Flange mounted** machines should be properly seated and aligned. Note: If improper rotation direction is detrimental to the load, check rotation direction prior to coupling the load to the motor shaft.

For **V-belt drive**, mount the sheave pulley close to the motor housing. Allow clearance for end to end movement of the motor shaft. Do not overtighten belts as this may cause premature bearing failure or shaft breakage.

**Direct coupled** machines should be carefully aligned and the shaft should rotate freely without binding.

### GENERAL

The user must select a motor starter and overcurrent protection suitable for this motor and its application. Consult motor starter application data as well as the National Electric Code and/or applicable local codes. Special motors for use by United States Government including special specifications, master plans, etc. refer to the applicable master plans and specifications involved.

On motors received from the factory with the shaft blocked, remove blocking before operating the motor. If motor is to be reshipped alone or installed to another piece of equipment, the shaft block must be installed to prevent axial movement and prevent brinelling of the bearings during shipment.

### TESTING

If the motor has been in storage for an extensive period or has been subjected to adverse moisture conditions, check the motor insulation resistance with a meg ohm meter. Depending on storage conditions it may be necessary to regrease or change rusted bearings. Contact Baldor District Office if resistance is less than 5 meg ohms.

**WARNING: Do not touch electrical connections before you first ensure that power has been disconnected. Electrical shock can cause serious or fatal injury.**

**WARNING: Be sure the system is properly grounded before applying power. Electrical shock can cause serious or fatal injury.**

**WARNING: Be sure the system is properly grounded before applying power. Electrical shock can cause serious or fatal injury.**

### INSTALLATION

This motor must be installed in accordance with National Electric Code, NEMA MG-2, IEC standards and local codes.

### WIRING

Connect the motor as shown in the connection diagrams. If this motor is installed as part of a motor control drive system, connect and protect the motor according to the control manufacturers diagrams. Refer to MN4408 for additional details on lead marking. The wiring, fusing and grounding must comply with the National Electrical Code or IEC and local codes. When the motor is connected to the load for proper direction of rotation and started, it should start quickly and run smoothly. If not, stop the motor immediately and determine the cause. Possible causes are: low voltage at the motor, motor connections are not correct or the load is too heavy. Check the motor current after a few minutes of operation and compare the measured current with the nameplate rating.

### GROUNDING

Ground the motor according to NEC and local codes. In the USA consult the National Electrical Code, Article 430 for information on grounding of motors and generators, and Article 250 for general information on grounding. In making the ground connection, the installer should make certain that there is a solid and permanent metallic connection between the ground point, the motor or generator terminal housing, and the motor or generator frame. In non-USA locations consult the appropriate national or local code applicable.

### ADJUSTMENT

The neutral is adjustable on some DC motors. AC motors have no adjustable parts.

### Noise

For specific sound power or pressure level information, contact your local Baldor representative.

### VIBRATION

This motor is balanced to NEMA MG1, Part 7 standard.

### BRUSHES (DC Motors)

Periodically, the brushes should be inspected and all brush dust blown out of the motor. If a brush is worn  $1/2$  (length specified in renewal parts data), replace the brushes. Reassemble and seat the new brushes using a brush seating stone. Be sure the rocker arm is set on the neutral mark.

**WARNING:** Guards must be installed for rotating parts such as couplings, pulleys, external fans, and unused shaft extensions, should be permanently guarded to prevent accidental contact by personnel. Accidental contact with body parts or clothing can cause serious or fatal injury.

#### INSPECTION

Before connecting the motor to an electrical supply, inspect for any damage resulting from shipment. Turn the shaft by hand to ensure free rotation. Motor leads must be isolated before the shaft will turn freely on permanent magnet motors.

#### DRAIN PLUGS

Condensation drain plugs are provided at four points on each endplate for various motor mounting configurations. For Washdown and totally enclosed, fan cooled or non-ventilated motors, the plugs in the lowest portion of the ends shields should be removed for operation (unless the motor has special stainless steel drains). All drains are located in the lowest portion of the ends shields.

#### MOUNTING

Mount the motor on a foundation sufficiently rigid to prevent excessive vibration. Grease lubricated ball bearing motors may be mounted with the feet at any angle. After careful alignment, bolt motor securely in place. Use shim to fill any unevenness in the foundation. Motor feet should sit solidly on the foundation before mounting bolts are tightened.

#### IP (Ingress Protection)

IP designations include two numerals; the first characteristic numeral is for ingress solid bodies and from dust. The second for ingress protection from liquid – water. Motors marked less than IP23 require additional protection from water.

#### GUARDING

After motor installation is complete, a guard of suitable dimensions must be constructed and installed around the motor/gearmotor. This guard must prevent personnel from coming in contact with any moving parts of the motor or drive assembly but must allow sufficient cooling air to pass over the motor.

If a motor mounted brake is installed, provide proper safeguards for personnel in case of brake failure.

Brush inspection plates and electrical connection cover plates or lids, must be installed before operating the motor.

#### STARTING

Before starting motor remove all unused shaft keys and loose rotating parts to prevent them from flying off.

Check direction of rotation before coupling motor to load. The motor should start quickly and run smoothly and with little noise. If the motor should fail to start the load may be too great for the motor, the voltage is low or the motor has been miswired. In any case immediately shut motor off and investigate the cause.

#### ROTATION

To reverse the direction of rotation, disconnect and lockout power and interchange any two of the three AC power leads for three phase motors. For two-phase four wire, disconnect and lockout power and interchange the AC line leads on any one phase. For two phase three wire, disconnect and lockout power and interchange phase one and phase two AC line leads.

#### Maintenance Procedures

**WARNING:** Do not touch electrical connections before you first ensure that power has been disconnected. Electrical shock can cause serious or fatal injury.

**WARNING:** Surface temperatures of motor enclosures may reach temperatures which can cause discomfort or injury to personnel accidentally coming into contact with hot surfaces. Protection should be provided by the user to protect against accidental contact with hot surfaces. Failure to observe this precaution could result in bodily injury.

#### Lubrication Information

This is a ball or roller bearing motor. The bearings have been lubricated at the factory. Motors that do not have regrease capability are factory lubricated for the normal life of the bearings. **Washdown motors can not be lubricated.**

#### Lubricant

Baldor motors are pregreased, normally with Mobil Polyrex EM unless stated on nameplate. Do not mix lubricants due to possible incompatibility. Look for signs of lubricant incompatibility, such as extreme souppiness visible from the grease relief area. If other greases are preferred, check with local Baldor representative for recommendations.

#### Relubrication Intervals (For motors with regrease capability)

New motors that have been stored for a year or more should be relubricated. Lubrication is also recommended at these intervals.

#### LUBRICATION INSTRUCTIONS

Cleanliness is important in lubrication. Any grease used to lubricate anti friction bearings should be fresh and free from contamination. Properly clean the grease inlet area of the motor to prevent grease contamination.

1. Select service condition from Table 1.
2. Select lubrication frequency from Table 2.

#### LUBRICATION PROCEDURE

Bearings should be lubricated while stationary and the motor is warm.

1. Locate the grease inlet, clean the area, and replace the pipe plug with a grease fitting.
2. Locate and remove the grease drain plug, if provided.
3. Add the recommended volume of recommended lubricant until clean grease appears at the grease drain, at the grease relief, or along the shaft opening.
4. Replace the grease inlet plug and run the motor for two hours.
5. Replace the grease drain plug.

#### SPECIAL APPLICATIONS

For special temperature applications, consult your Baldor District Office.

**Table 1 Service Conditions**

Severity of Service	Ambient Temperature Maximum	Atmospheric Contamination	Type of Bearing
Standard	40° C	Clean, Little Corrosion	Deep Groove Ball Bearing
Severe	50° C	Moderate dirt, Corrosion	Ball Thrust, Roller
Extreme	>50° C* or Class H Insulation	Severe dirt, Abrasive dust, Corrosion	All Bearings
Low Temperature	<-30° C**		

\* Special high temperature grease is recommended. \*\* Special low temperature grease is recommended.

**Table 2 Lubrication Frequency (Ball Bearings)**

NEMA / (IEC) Frame Size	Rated Speed - RPM				
	10000	6000	3600	1800	900
Up to 210 incl. (132)	**	2700 Hrs.	5500 Hrs.	12000 Hrs.	18000 Hrs.
Over 210 to 280 incl. (180)		**	3600 Hrs.	9500 Hrs.	15000 Hrs.
Over 280 to 360 incl. (225)		**	*2200 Hrs.	7400 Hrs.	12000 Hrs.
Over 360 to 5000 incl. (300)		**	*2200 Hrs.	3500 Hrs.	7400 Hrs.
					10500 Hrs.

\* Relubrication intervals are for ball bearings. For vertically mounted motors and roller bearings, divide the relubrication interval by 2.

\*\* For motors operating at speeds greater than 3600 RPM, contact Baldor for relubrication recommendations.

**Table 3 Lubrication Interval Multiplier**

Severity of Service	Multiplier
Standard	1.0
Severe	0.5
Extreme	0.1
Low Temperature	1.0

**Table 4 Amount of Grease to Add**

Frame Size NEMA (IEC)	Bearing Description (Largest bearing in each frame size)				
	Bearing	OD D mm	Width B mm	Weight of grease to add ounce (gram)	Volume of grease to add inches <sup>3</sup> teaspoon
Up to 210 incl. (132)	6307	80	21	0.30 (8.4)	0.6 2.0
Over 210 to 280 incl. (180)	6311	120	29	0.61 (17.4)	1.2 3.9
Over 280 to 360 incl. (200)	6313	140	33	0.81 (23.1)	1.5 5.2
Over 360 to 5000 incl. (300)	NU322	240	50	2.12 (60.0)	4.1 13.4

Weight in grams = 0.005 DB

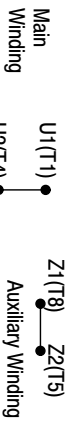
**Typical IEC vs NEMA Lead Marking**

**Single Phase Non-Reversible**

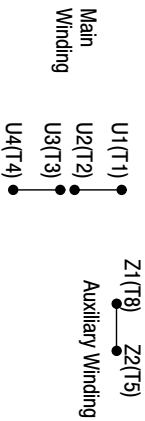
Refer to the connection diagram provided on the Baldor motor.



**Single Phase Reversible**



**Dual Voltage Reversible**

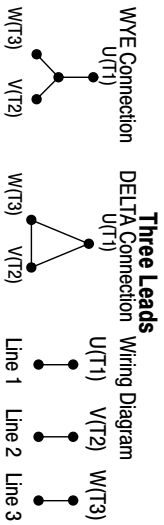


**Three Phase**

For single winding 3 phase motors, lead markings can be directly translated between IEC and NEMA designations. For these motors, the lead markings are:

- U1=T1 U2=T4 U3=T7 U4=T10
- V1=T2 V2=T5 V3=T8 V4=T11
- W1=T3 W2=T6 W3=T9 W4=T12

Refer to the connection diagram provided on the Baldor motor. Some examples are as follows:



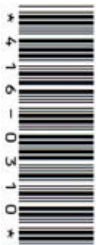
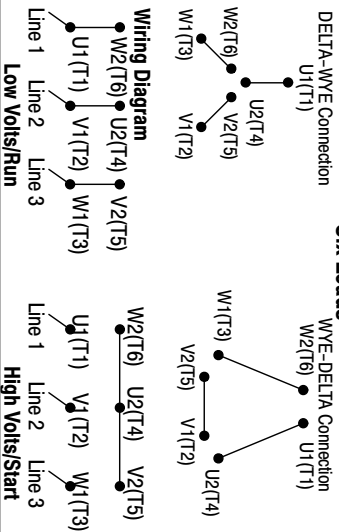
**DC Motors**

Lead markings can be translated between IEC and NEMA designations as follows:

	NEMA	IEC
Armature	A1, A2	A1, A2
Series Field	S1, S2	D1, D2
Shunt Field	F1, F2	E1, E2

Refer to the connection diagram provided on the Baldor motor.

**Six Leads**



World Headquarters

P.O. Box 2400 Fort Smith, AR 72902-2400 USA Ph: (1) 479.646.4711, Fax: (1) 479.648.5792

www.baldor.com

© 2009 Baldor Electric Company  
MN416

All rights reserved. Printed in USA  
3/10

4 Installation & Maintenance

MN416