

PHILIPS 74LVT646 transceiver datasheet

<http://www.manuallib.com/philips/74lvt646-transceiver-datasheet.html>

The LVT640 is a high-performance BiCMOS product designed for VCC operation at 3.3V.

This device is an octal transceiver featuring inverting 3-State bus compatible outputs in both send and receive directions. The control function implementation minimizes external timing requirements.

The device features an Output Enable (OE) input for easy cascading and a Direction (DIR) input for direction control.

ManualLib.com collects and classifies the global product instruction manuals to help users access anytime and anywhere, helping users make better use of products.

<http://www.manuallib.com>

DATA SHEET

74LVT646

**3.3V Octal bus transceiver/register
(3-State)**

Product specification
Supersedes data of 1994 May 20
IC23 Data Handbook

1998 Feb 19

Philips
Semiconductors



PHILIPS

3.3V Octal bus transceiver/register (3-State)

74LVT646

FEATURES

- Combines 74LVT245 and 74LVT574 type functions in one device
- Independent registers for A and B buses
- Multiplexed real-time and stored data
- Output capability: +64mA/-32mA
- TTL input and output switching levels
- Input and output interface capability to systems at 5V supply
- Bus-hold data inputs eliminate the need for external pull-up resistors to hold unused inputs
- Live insertion/extraction permitted
- No bus current loading when output is tied to 5V bus
- Latch-up protection exceeds 500mA per JEDEC Std 17
- Power-up 3-State
- Power-up reset
- ESD protection exceeds 2000V per MIL STD 883 Method 3015 and 200V per Machine Model

DESCRIPTION

The LVT646 is a high-performance BiCMOS product designed for V_{CC} operation at 3.3V.

This device consists of bus transceiver circuits with 3-State outputs, D-type flip-flops, and control circuitry arranged for multiplexed transmission of data directly from the input bus or the internal registers.

Data on the A or B bus will be clocked into the registers as the appropriate clock pin goes High.

Output Enable (\overline{OE}) and DIR pins are provided to control the transceiver function. In the transceiver mode, data present at the high impedance port may be stored in either the A or B register or both.

The Select (SAB, SBA) pins determine whether data is stored or transferred through the device in real-time. The DIR determines which bus will receive data when the \overline{OE} is active (Low).

In the isolation mode ($\overline{OE} = \text{High}$), data from Bus A may be stored in the B register and/or data from Bus B may be stored in the A register.

When an output function is disabled, the input function is still enabled and may be used to store and transmit data. Only one of the two buses, A or B may be driven at a time. The examples on the next page demonstrate the four fundamental bus management functions that can be performed with the 74LVT646.

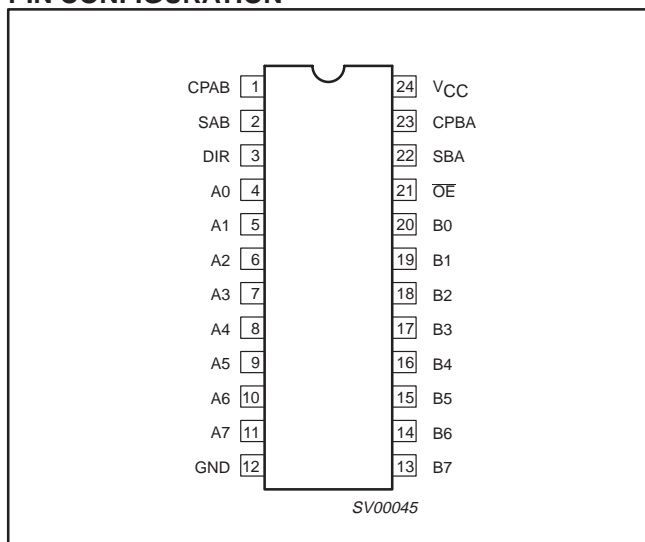
QUICK REFERENCE DATA

SYMBOL	PARAMETER	CONDITIONS $T_{amb} = 25^{\circ}\text{C}; \text{GND} = 0\text{V}$	TYPICAL	UNIT
t_{PLH} t_{PHL}	Propagation delay An to Bn or Bn to An	$C_L = 50\text{pF}; V_{CC} = 3.3\text{V}$	2.8 2.7	ns
C_{IN}	Input capacitance CP, S, \overline{OE} , DIR	$V_{I/O} = 0\text{V}$ or 3.0V	4	pF
$C_{I/O}$	I/O capacitance	Outputs disabled; $V_{I/O} = 0\text{V}$ or 3.0V	10	pF
I_{CCZ}	Total supply current	Outputs disabled; $V_{CC} = 3.6\text{V}$	0.13	mA

ORDERING INFORMATION

PACKAGES	TEMPERATURE RANGE	OUTSIDE NORTH AMERICA	NORTH AMERICA	DWG NUMBER
24-Pin Plastic SOL	-40°C to +85°C	74LVT646 D	74LVT646 D	SOT163-1
24-Pin Plastic SSOP Type II	-40°C to +85°C	74LVT646 DB	74LVT646 DB	SOT399-1
24-Pin Plastic TSSOP Type I	-40°C to +85°C	74LVT646 PW	74LVT646PW DH	SOT360-1

PIN CONFIGURATION



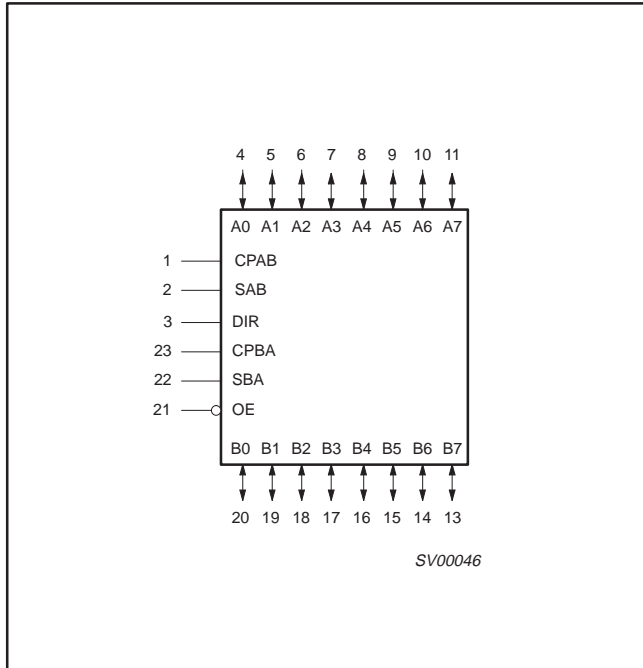
PIN DESCRIPTION

PIN NUMBER	SYMBOL	FUNCTION
1, 23	CPAB / CPBA	A to B clock input / B to A clock input
2, 22	SAB / SBA	A to B select input / B to A select input
3	DIR	Direction control input
4, 5, 6, 7, 8, 9, 10, 11	A0 – A7	Data inputs/outputs (A side)
20, 19, 18, 17, 16, 15, 14, 13	B0 – B7	Data inputs/outputs (B side)
21	\overline{OE}	Output enable input (active-low)
12	GND	Ground (0V)
24	V_{CC}	Positive supply voltage

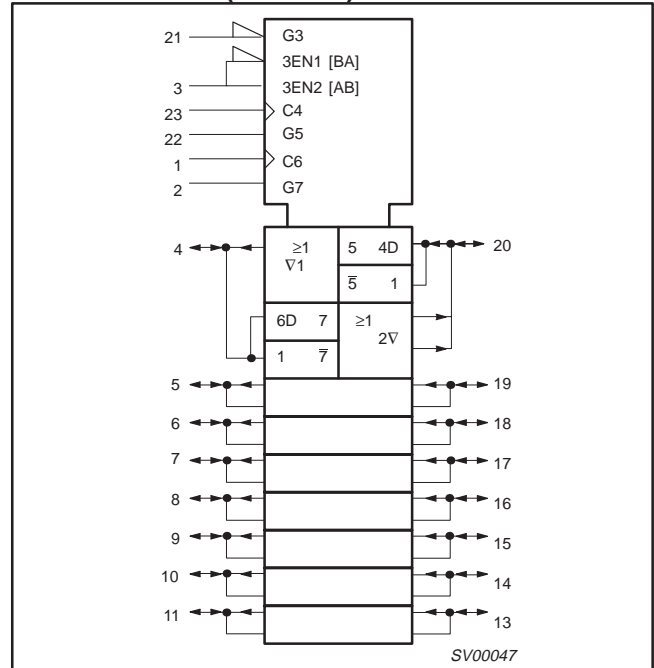
3.3V Octal bus transceiver/register (3-State)

74LVT646

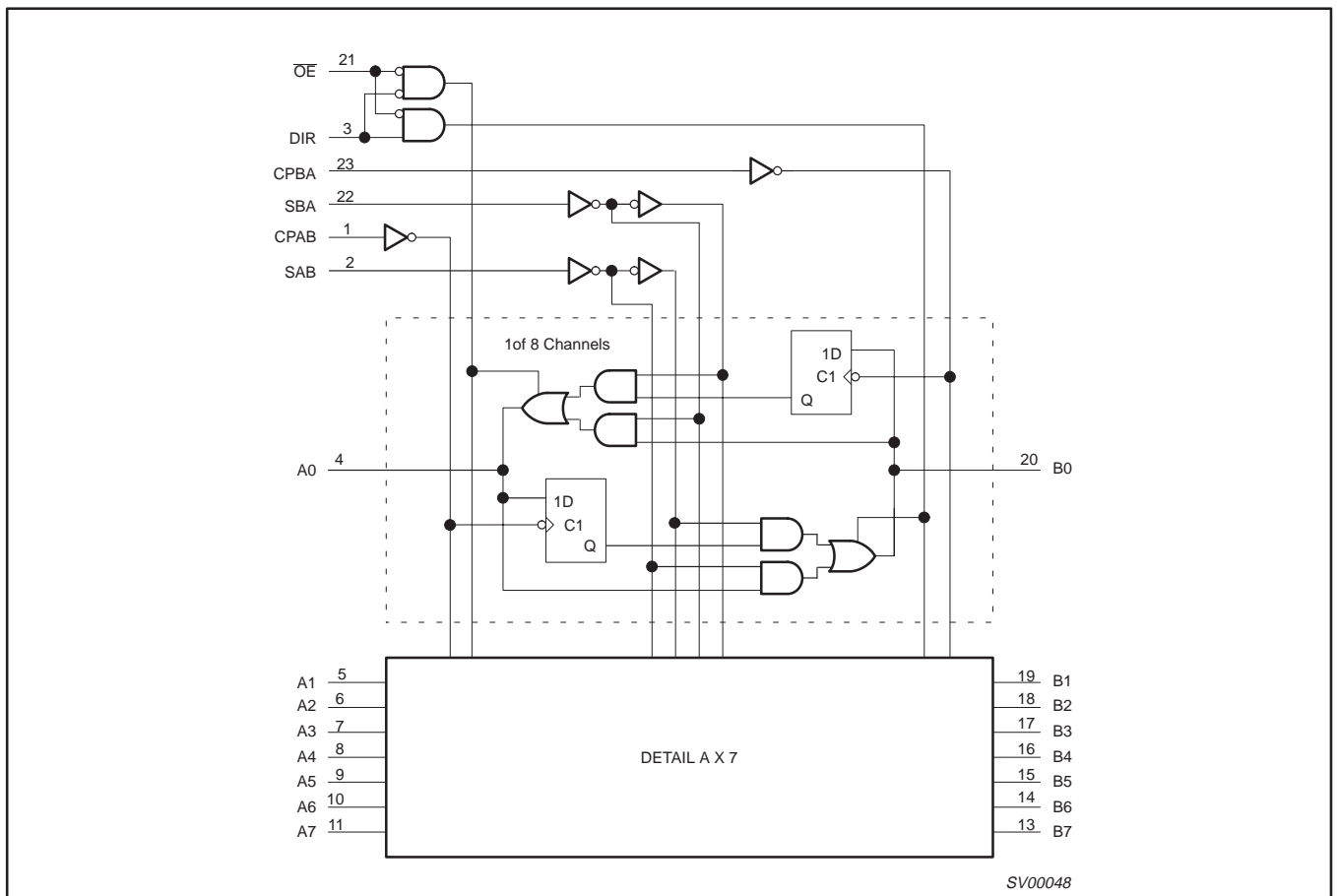
LOGIC SYMBOL



LOGIC SYMBOL (IEEE/IEC)

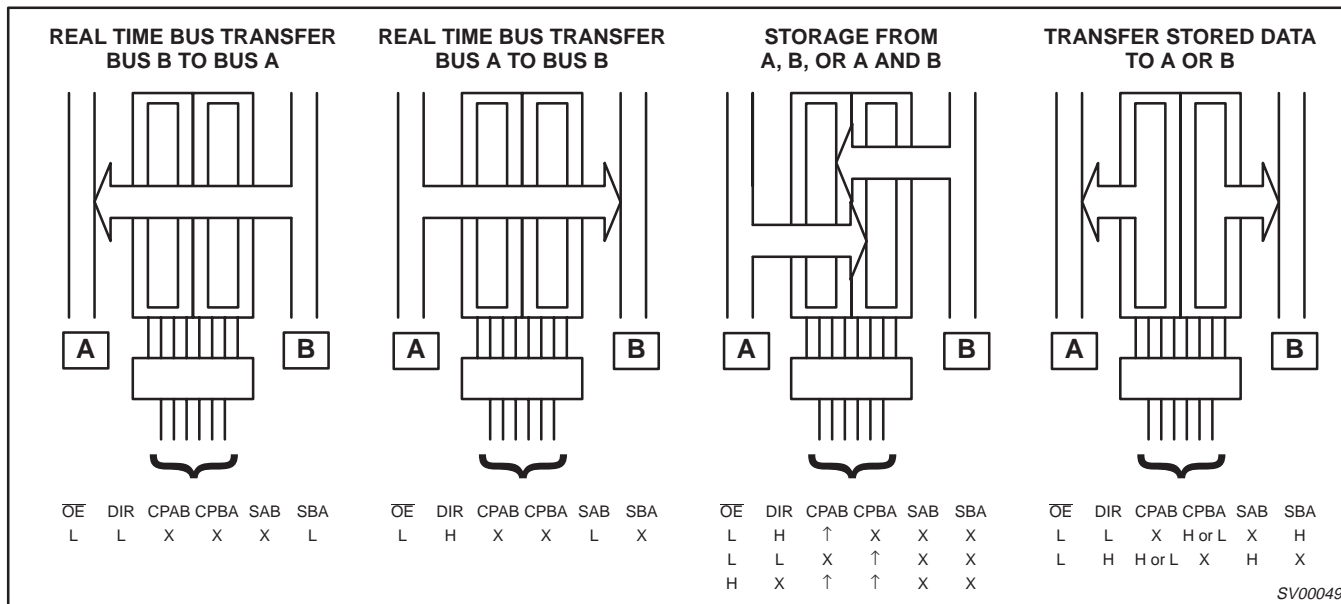


LOGIC DIAGRAM



3.3V Octal bus transceiver/register (3-State)

74LVT646



FUNCTION TABLE

INPUTS						DATA I/O		OPERATING MODE
OE	DIR	CPAB	CPBA	SAB	SBA	An	Bn	
X	X	\uparrow	X	X	X	Input	Unspecified output*	Store A, B unspecified
X	X	X	\uparrow	X	X	Unspecified output*	Input	Store B, A unspecified
H H	X X	\uparrow H or L	\uparrow H or L	X X	X X	Input	Input	Store A and B data Isolation, hold storage
L L	L L	X X	X H or L	X X	L H	Output	Input	Real time B data to A bus Stored B data to A bus
L L	H H	X H or L	X X	L H	X X	Input	Output	Real time A data to B bus Stored A data to B bus

H = High voltage level

L = Low voltage level

X = Don't care

\uparrow = Low-to-High clock transition

* The data output function may be enabled or disabled by various signals at the OE input. Data input functions are always enabled, i.e., data at the bus pins will be stored on every Low-to-High transition of the clock.

3.3V Octal bus transceiver/register (3-State)

74LVT646

ABSOLUTE MAXIMUM RATINGS^{1, 2}

SYMBOL	PARAMETER	CONDITIONS	RATING	UNIT
V _{CC}	DC supply voltage		-0.5 to +4.6	V
I _{IK}	DC input diode current	V _I < 0	-50	mA
V _I	DC input voltage ³		-0.5 to +7.0	V
I _{OK}	DC output diode current	V _O < 0	-50	mA
V _{OUT}	DC output voltage ³	Output in Off or High state	-0.5 to +7.0	V
I _{OUT}	DC output current	Output in Low state	128	mA
		Output in High state	-64	
T _{stg}	Storage temperature range		-65 to 150	°C

NOTES:

- Stresses beyond those listed may cause permanent damage to the device. These are stress ratings only and functional operation of the device at these or any other conditions beyond those indicated under "recommended operating conditions" is not implied. Exposure to absolute-maximum-rated conditions for extended periods may affect device reliability.
- The performance capability of a high-performance integrated circuit in conjunction with its thermal environment can create junction temperatures which are detrimental to reliability. The maximum junction temperature of this integrated circuit should not exceed 150°C.
- The input and output negative voltage ratings may be exceeded if the input and output clamp current ratings are observed.

RECOMMENDED OPERATING CONDITIONS

SYMBOL	PARAMETER	LIMITS		UNIT
		MIN	MAX	
V _{CC}	DC supply voltage	2.7	3.6	V
V _I	Input voltage	0	5.5	V
V _{IH}	High-level input voltage	2.0		V
V _{IL}	Input voltage		0.8	V
I _{OH}	High-level output current		-32	mA
I _{OL}	Low-level output current		32	mA
	Low-level output current; current duty cycle ≤ 50%, f ≥ 1kHz		64	
Δt/Δv	Input transition rise or fall rate; Outputs enabled		10	ns/V
T _{amb}	Operating free-air temperature range	-40	+85	°C

3.3V Octal bus transceiver/register (3-State)

74LVT646

DC ELECTRICAL CHARACTERISTICS

SYMBOL	PARAMETER	TEST CONDITIONS	LIMITS			UNIT
			Temp = -40°C to +85°C			
			MIN	TYP NO TAG	MAX	
V_{IK}	Input clamp voltage	$V_{CC} = 2.7V; I_{IK} = -18mA$		-0.9	-1.2	V
V_{OH}	High-level output voltage	$V_{CC} = 2.7$ to $3.6V; I_{OH} = -100\mu A$	$V_{CC}-0.2$	$V_{CC}-0.1$		V
		$V_{CC} = 2.7V; I_{OH} = -8mA$	2.4	2.5		
		$V_{CC} = 3.0V; I_{OH} = -32mA$	2.0	2.2		
V_{OL}	Low-level output voltage	$V_{CC} = 2.7V; I_{OL} = 100\mu A$		0.1	0.2	V
		$V_{CC} = 2.7V; I_{OL} = 24mA$		0.3	0.5	
		$V_{CC} = 3.0V; I_{OL} = 16mA$		0.25	0.4	
		$V_{CC} = 3.0V; I_{OL} = 32mA$		0.3	0.5	
		$V_{CC} = 3.0V; I_{OL} = 64mA$		0.4	0.55	
V_{RST}	Power-up output low voltage ⁵	$V_{CC} = 3.6V; I_O = 1mA; V_I = GND$ or V_{CC}		0.13	0.55	V
I_I	Input leakage current	$V_{CC} = 3.6V; V_I = V_{CC}$ or GND	Control pins	± 0.1	± 1	μA
		$V_{CC} = 0$ or $3.6V; V_I = 5.5V$		1	10	
		$V_{CC} = 3.6V; V_I = 5.5V$	I/O Data pins ⁴	1	20	
		$V_{CC} = 3.6V; V_I = V_{CC}$		0.1	1	
		$V_{CC} = 3.6V; V_I = 0$		-1	-5	
I_{OFF}	Output off current	$V_{CC} = 0V; V_I$ or $V_O = 0$ to $4.5V$		1	± 100	μA
I_{HOLD}	Bus Hold current A inputs ⁶	$V_{CC} = 3V; V_I = 0.8V$	75	150		μA
		$V_{CC} = 3V; V_I = 2.0V$	-75	-150		
		$V_{CC} = 0V$ to $3.6V; V_{CC} = 3.6V$	± 500			
I_{EX}	Current into an output in the High state when $V_O > V_{CC}$	$V_O = 5.5V; V_{CC} = 3.0V$		60	125	μA
$I_{PU/PD}$	Power up/down 3-State output current ³	$V_{CC} \leq 1.2V; V_O = 0.5V$ to $V_{CC}; V_I = GND$ or $V_{CC}; OE/OE = Don't$ care		15	± 100	μA
I_{CCH}	Quiescent supply current	$V_{CC} = 3.6V; \text{Outputs High, } V_I = GND$ or $V_{CC}, I_O = 0$		0.13	0.19	mA
I_{CCL}		$V_{CC} = 3.6V; \text{Outputs Low, } V_I = GND$ or $V_{CC}, I_O = 0$		3	12	
I_{CCZ}		$V_{CC} = 3.6V; \text{Outputs Disabled; } V_I = GND$ or $V_{CC}, I_O = 0$		0.13	0.19	
ΔI_{CC}	Additional supply current per input pin ²	$V_{CC} = 3V$ to $3.6V; \text{One input at } V_{CC}-0.6V, \text{Other inputs at } V_{CC}$ or GND		0.1	0.2	mA

NOTES:

- All typical values are at and $T_{amb} = 25^\circ C$.
- This is the increase in supply current for each input at the specified voltage level other than V_{CC} or GND
- This parameter is valid for any V_{CC} between 0V and 1.2V with a transition time of up to 10msec. From $V_{CC} = 1.2V$ to $V_{CC} = 3.3V \pm 0.3V$ a transition time of 100µsec is permitted. This parameter is valid for $T_{amb} = 25^\circ C$ only.
- Unused pins at V_{CC} or GND.
- For valid test results, data must not be loaded into the flip-flops (or latches) after applying power.
- This is the bus hold overdrive current required to force the input to the opposite logic state.

3.3V Octal bus transceiver/register (3-State)

74LVT646

AC CHARACTERISTICSGND = 0V, $t_R = t_F = 2.5\text{ns}$, $C_L = 50\text{pF}$, $R_L = 500\Omega$; $T_{\text{amb}} = -40^\circ\text{C}$ to $+85^\circ\text{C}$.

SYMBOL	PARAMETER	WAVEFORM	LIMITS				UNIT
			$V_{CC} = 3.3V \pm 0.3V$		$V_{CC} = 2.7V$		
			MIN	TYP ¹	MAX	MAX	
f_{MAX}	Maximum clock frequency	1	150	180			MHz
t_{PLH} t_{PHL}	Propagation delay CPAB to Bn or CPBA to An	1	1.8 2.1	3.8 3.8	5.7 5.7	6.7 6.4	ns
t_{PLH} t_{PHL}	Propagation delay An to Bn or Bn to An	2	1.3 1.0	2.8 2.7	4.7 4.6	5.4 5.3	ns
t_{PLH} t_{PHL}	Propagation delay SAB to Bn or SBA to An	2 3	1.4 1.4	3.7 3.8	6.2 6.2	7.2 6.8	ns
t_{PZH} t_{PZL}	Output enable time OE to An or Bn	5 6	1.0 1.0	4.0 4.1	5.8 6.0	7.2 7.3	ns
t_{PHZ} t_{PLZ}	Output disable time OE to An or Bn	5 6	2.3 2.2	4.3 3.8	6.5 5.8	6.9 5.9	ns
t_{PZH} t_{PZL}	Output enable time DIR to An or Bn	5 6	1.0 1.2	3.4 3.4	6.5 6.3	7.5 7.1	ns
t_{PHZ} t_{PLZ}	Output disable time DIR to An or Bn	5 6	1.7 1.5	4.1 3.5	7.2 5.8	8.1 6.3	ns

NOTE:1. All typical values are at $V_{CC} = 3.3V$ and $T_{\text{amb}} = 25^\circ\text{C}$.**AC SETUP REQUIREMENTS**GND = 0V, $t_R = 2.5\text{ns}$, $t_F = 2.5\text{ns}$, $C_L = 50\text{pF}$, $R_L = 500\Omega$; $T_{\text{amb}} = -40^\circ\text{C}$ to $+85^\circ\text{C}$

SYMBOL	PARAMETER	WAVEFORM	LIMITS				UNIT
			$V_{CC} = 3.3V \pm 0.3V$		$V_{CC} = 2.7V$		
			Min	Typ	Min		
$t_s(\text{H})$ $t_s(\text{L})$	Setup time ¹ An to CPAB, Bn to CPBA	4	1.5 2.0	1.0 1.0	1.6 2.4		ns
$t_h(\text{H})$ $t_h(\text{L})$	Hold time ¹ An to CPAB, Bn to CPBA	4	0.0 0.0	-1.0 -1.0	0.0 0.0		ns
$t_w(\text{H})$ $t_w(\text{L})$	Pulse width, High or Low CPAB or CPBA	1	3.3 3.3	1.0 2.0	3.3 3.3		ns

NOTE:

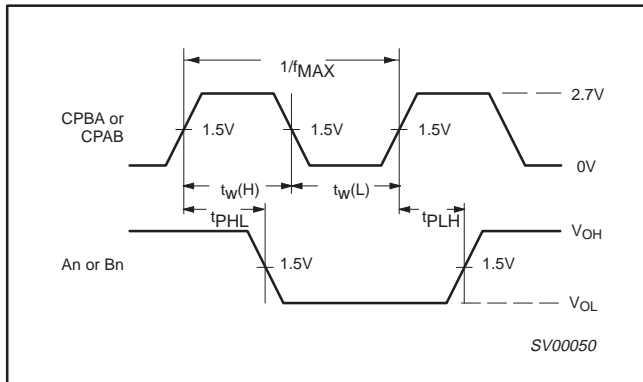
1. This data sheet limit may vary among suppliers.

3.3V Octal bus transceiver/register (3-State)

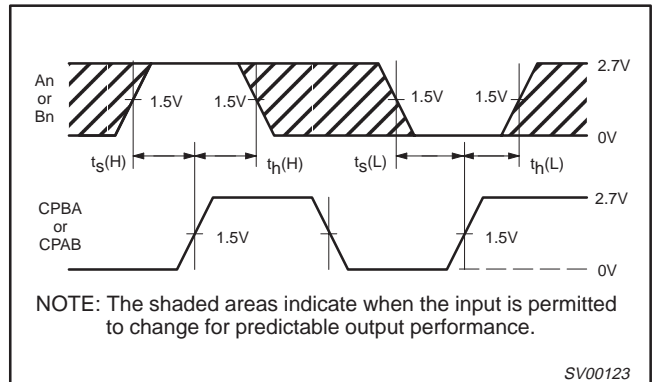
74LVT646

AC WAVEFORMS

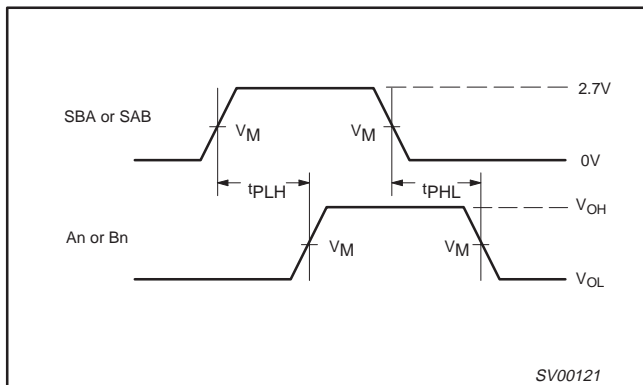
$V_M = 1.5V$, $V_{IN} = GND$ to $2.7V$



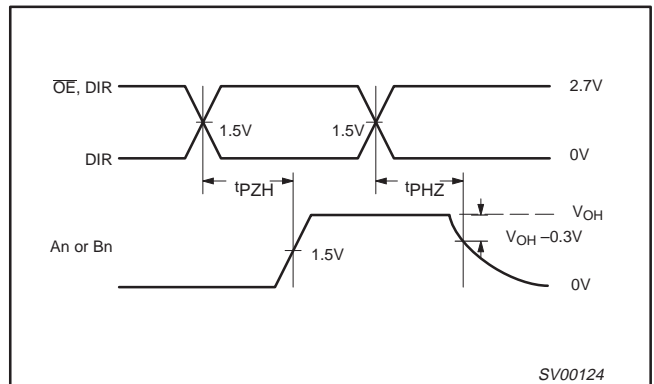
Waveform 1. Propagation Delay, Clock Input to Output, Clock Pulse Width, and Maximum Clock Frequency



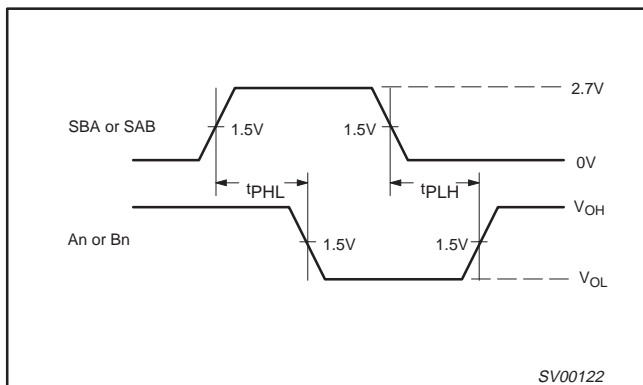
Waveform 4. Data Setup and Hold Times



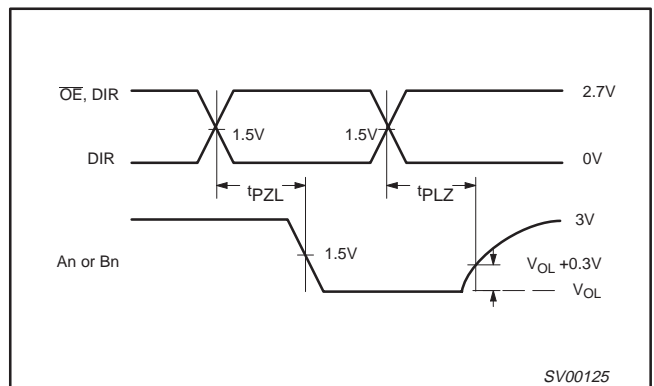
Waveform 2. Propagation Delay, SAB to Bn or SBA to An, An to Bn or Bn to An



Waveform 5. 3-State Output Enable Time to High Level and Output Disable Time from High Level



Waveform 3. Propagation Delay, SBA to An or SAB to Bn

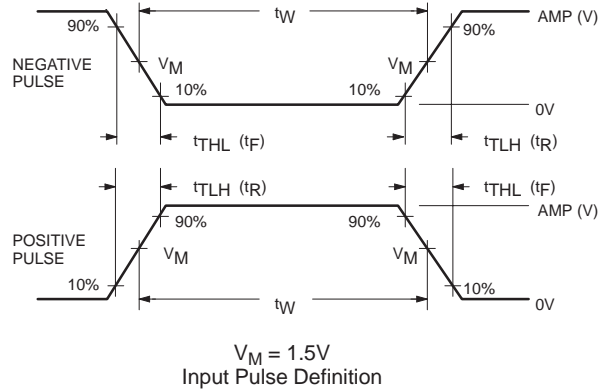
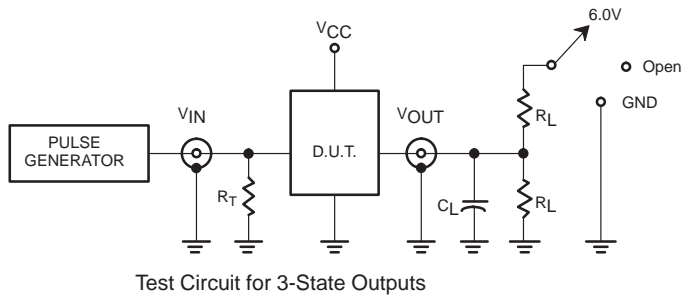


Waveform 6. 3-State Output Enable Time to Low Level and Output Disable Time from Low Level

3.3V Octal bus transceiver/register (3-State)

74LVT646

TEST CIRCUIT AND WAVEFORM



SWITCH POSITION

TEST	SWITCH
t_{PLH}/t_{PHL}	Open
t_{PLZ}/t_{PZL}	6V
t_{PHZ}/t_{PZH}	GND

DEFINITIONS

R_L = Load resistor; see AC CHARACTERISTICS for value.

C_L = Load capacitance includes jig and probe capacitance; see AC CHARACTERISTICS for value.

R_T = Termination resistance should be equal to Z_{OUT} of pulse generators.

FAMILY	INPUT PULSE REQUIREMENTS				
	Amplitude	Rep. Rate	t_W	t_R	t_F
74LVT	2.7V	$\leq 10\text{MHz}$	500ns	$\leq 2.5\text{ns}$	$\leq 2.5\text{ns}$

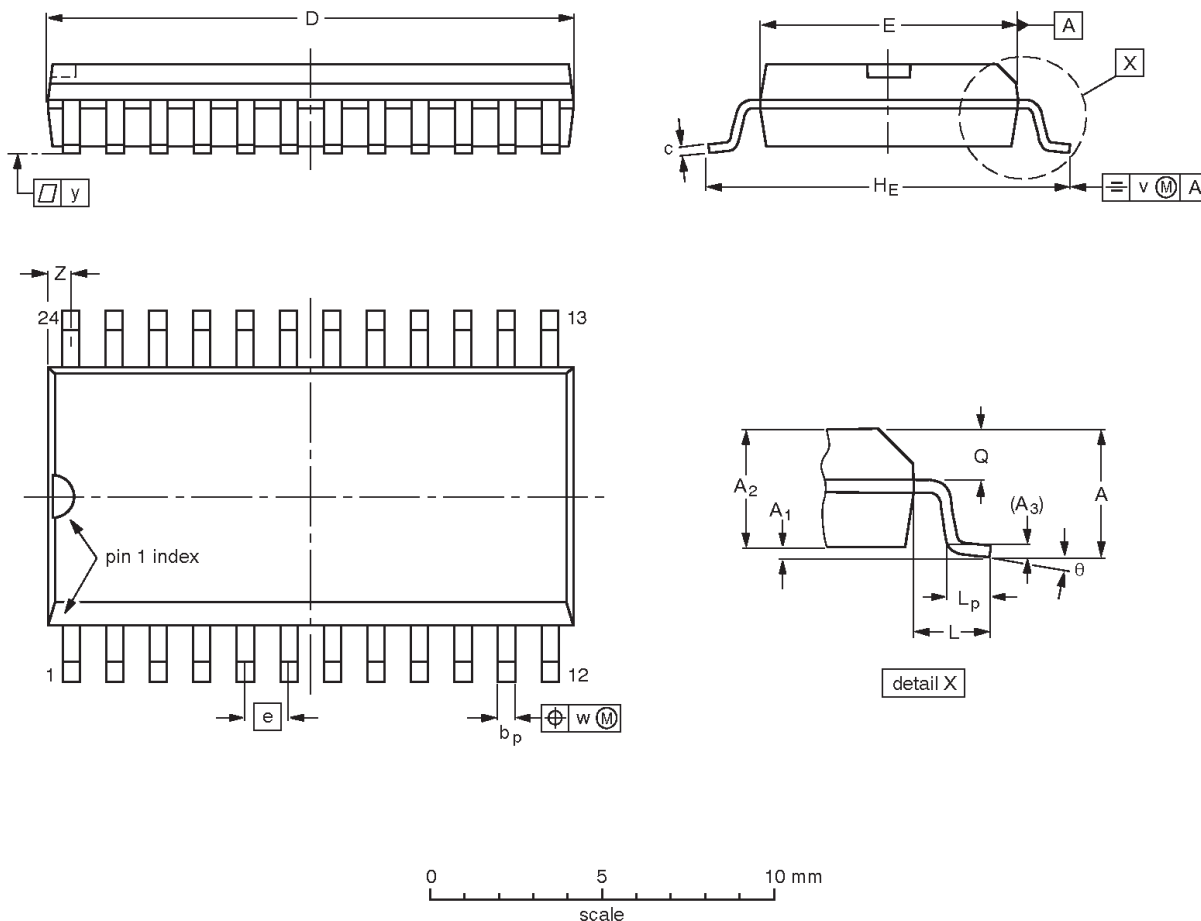
SV00092

3.3V Octal bus transceiver/register (3-State)

74LVT646

SO24: plastic small outline package; 24 leads; body width 7.5 mm

SOT137-1



DIMENSIONS (inch dimensions are derived from the original mm dimensions)

UNIT	A max.	A ₁	A ₂	A ₃	b _p	c	D ⁽¹⁾	E ⁽¹⁾	e	H _E	L	L _p	Q	v	w	y	z ⁽¹⁾	θ
mm	2.65	0.30 0.10	2.45 2.25	0.25	0.49 0.36	0.32 0.23	15.6 15.2	7.6 7.4	1.27	10.65 10.00	1.4	1.1 0.4	1.1 1.0	0.25	0.25	0.1	0.9 0.4	8° 0°
inches	0.10	0.012 0.004	0.096 0.089	0.01	0.019 0.014	0.013 0.009	0.61 0.60	0.30 0.29	0.050	0.419 0.394	0.055	0.043 0.016	0.043 0.039	0.01	0.01	0.004	0.035 0.016	

Note

1. Plastic or metal protrusions of 0.15 mm maximum per side are not included.

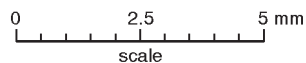
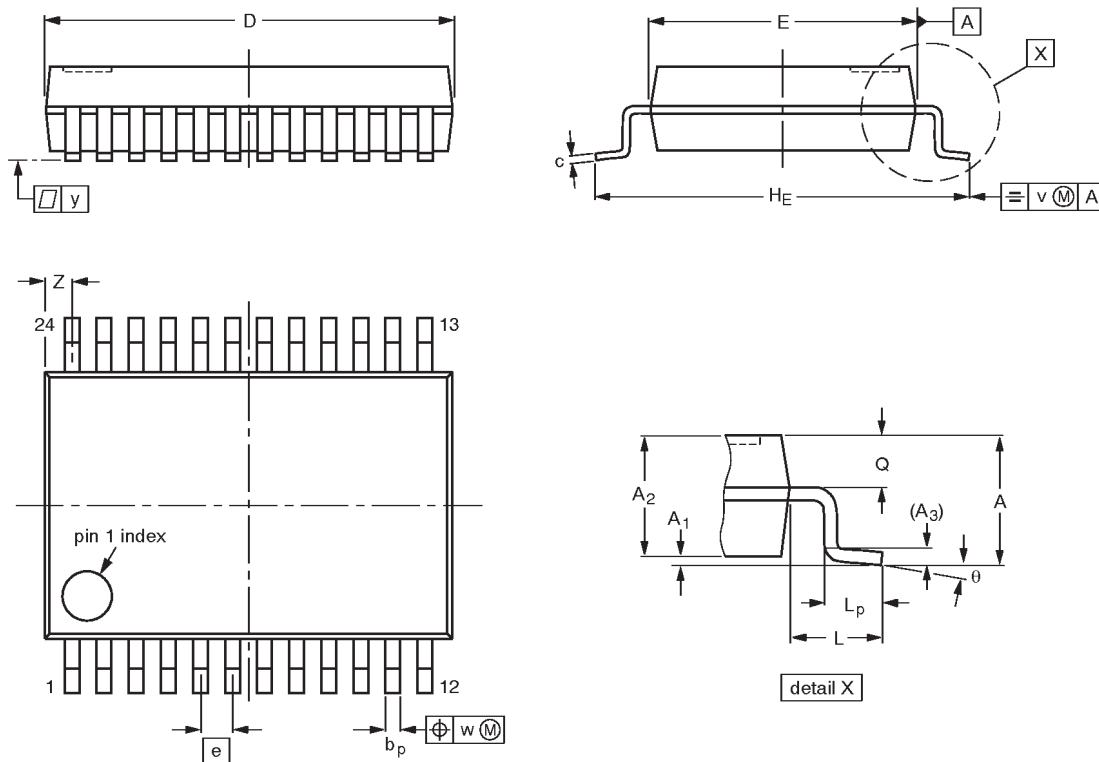
OUTLINE VERSION	REFERENCES				EUROPEAN PROJECTION	ISSUE DATE
	IEC	JEDEC	EIAJ			
SOT137-1	075E05	MS-013AD				95-01-24 97-05-22

3.3V Octal bus transceiver/register (3-State)

74LVT646

SSOP24: plastic shrink small outline package; 24 leads; body width 5.3 mm

SOT340-1



DIMENSIONS (mm are the original dimensions)

UNIT	A max.	A ₁	A ₂	A ₃	b _p	c	D ⁽¹⁾	E ⁽¹⁾	e	H _E	L	L _p	Q	v	w	y	Z ⁽¹⁾	θ
mm	2.0	0.21 0.05	1.80 1.65	0.25	0.38 0.25	0.20 0.09	8.4 8.0	5.4 5.2	0.65	7.9 7.6	1.25	1.03 0.63	0.9 0.7	0.2	0.13	0.1	0.8 0.4	8° 0°

Note

1. Plastic or metal protrusions of 0.20 mm maximum per side are not included.

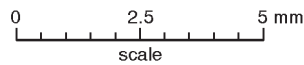
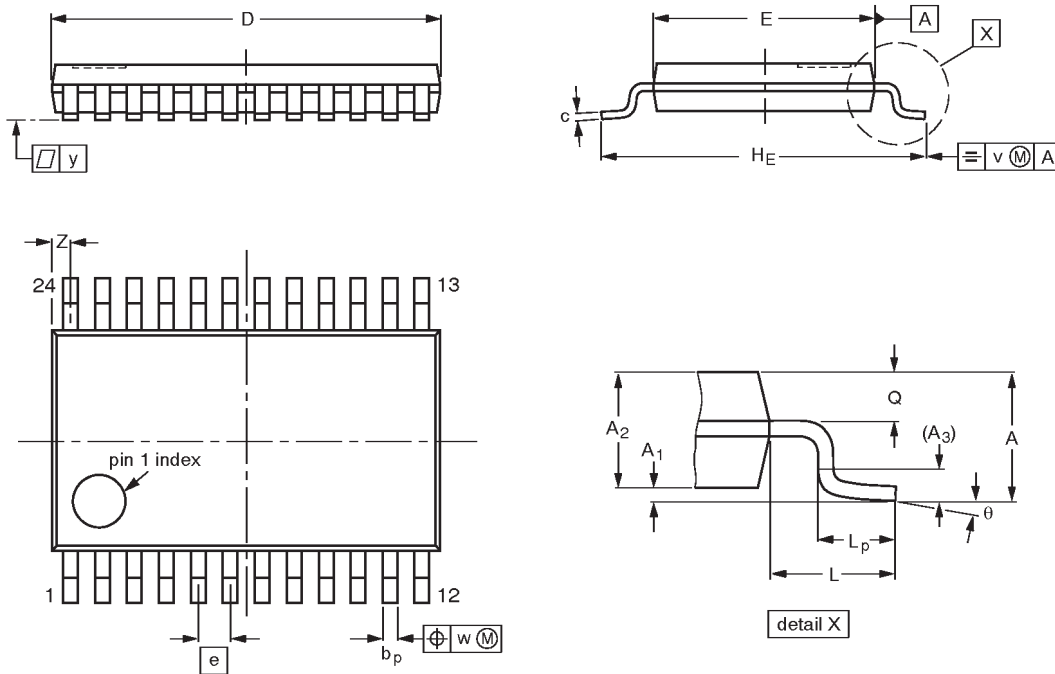
OUTLINE VERSION	REFERENCES				EUROPEAN PROJECTION	ISSUE DATE
	IEC	JEDEC	EIAJ			
SOT340-1		MO-150AG				93-09-08 95-02-04

3.3V Octal bus transceiver/register (3-State)

74LVT646

TSSOP24: plastic thin shrink small outline package; 24 leads; body width 4.4 mm

SOT355-1



DIMENSIONS (mm are the original dimensions)

UNIT	A max.	A ₁	A ₂	A ₃	b _p	c	D ⁽¹⁾	E ⁽²⁾	e	H _E	L	L _p	Q	v	w	y	Z ⁽¹⁾	θ
mm	1.10	0.15 0.05	0.95 0.80	0.25	0.30 0.19	0.2 0.1	7.9 7.7	4.5 4.3	0.65	6.6 6.2	1.0	0.75 0.50	0.4 0.3	0.2	0.13	0.1	0.5 0.2	8° 0°

Notes

1. Plastic or metal protrusions of 0.15 mm maximum per side are not included.
2. Plastic interlead protrusions of 0.25 mm maximum per side are not included.

OUTLINE VERSION	REFERENCES				EUROPEAN PROJECTION	ISSUE DATE
	IEC	JEDEC	EIAJ			
SOT355-1		MO-153AD				-93-06-16 95-02-04

3.3V Octal bus transceiver/register (3-State)

74LVT646

NOTES

3.3V Octal bus transceiver/register (3-State)

74LVT646

Data sheet status

Data sheet status	Product status	Definition [1]
Objective specification	Development	This data sheet contains the design target or goal specifications for product development. Specification may change in any manner without notice.
Preliminary specification	Qualification	This data sheet contains preliminary data, and supplementary data will be published at a later date. Philips Semiconductors reserves the right to make changes at any time without notice in order to improve design and supply the best possible product.
Product specification	Production	This data sheet contains final specifications. Philips Semiconductors reserves the right to make changes at any time without notice in order to improve design and supply the best possible product.

[1] Please consult the most recently issued datasheet before initiating or completing a design.

Definitions

Short-form specification — The data in a short-form specification is extracted from a full data sheet with the same type number and title. For detailed information see the relevant data sheet or data handbook.

Limiting values definition — Limiting values given are in accordance with the Absolute Maximum Rating System (IEC 134). Stress above one or more of the limiting values may cause permanent damage to the device. These are stress ratings only and operation of the device at these or at any other conditions above those given in the Characteristics sections of the specification is not implied. Exposure to limiting values for extended periods may affect device reliability.

Application information — Applications that are described herein for any of these products are for illustrative purposes only. Philips Semiconductors make no representation or warranty that such applications will be suitable for the specified use without further testing or modification.

Disclaimers

Life support — These products are not designed for use in life support appliances, devices or systems where malfunction of these products can reasonably be expected to result in personal injury. Philips Semiconductors customers using or selling these products for use in such applications do so at their own risk and agree to fully indemnify Philips Semiconductors for any damages resulting from such application.

Right to make changes — Philips Semiconductors reserves the right to make changes, without notice, in the products, including circuits, standard cells, and/or software, described or contained herein in order to improve design and/or performance. Philips Semiconductors assumes no responsibility or liability for the use of any of these products, conveys no license or title under any patent, copyright, or mask work right to these products, and makes no representations or warranties that these products are free from patent, copyright, or mask work right infringement, unless otherwise specified.

Philips Semiconductors
811 East Arques Avenue
P.O. Box 3409
Sunnyvale, California 94088-3409
Telephone 800-234-7381

© Copyright Philips Electronics North America Corporation 1998
All rights reserved. Printed in U.S.A.

print code

Date of release: 05-96

Document order number:

9397-750-03544

Let's make things better.

Philips
Semiconductors



PHILIPS