

# American Zettler AZ832 RELAY Datasheet

<http://www.manuallib.com/american-zettler/az832-relay-datasheet.html>

## FEATURES

- Low profile for compact board spacing
- DC coils to 48 VDC
- High sensitivity, 96 mW pickup
- Life expectancy to 20 million operations
- High switching capacity, 60 W, 250 VA
- Fits standard 16 pin IC socket
- Epoxy sealed for automatic wave soldering and cleaning
- Meets FCC Part 68.302 1500 V lightning surge
- Meets FCC Part 68.304 1000 V dielectric
- UL, CUR file E43203

ManualLib.com collects and classifies the global product instruction manuals to help users access anytime and anywhere, helping users make better use of products.

<http://www.manuallib.com>

# AZ832

## POLARIZED DIP RELAY SINGLE SIDE STABLE

### FEATURES

- Low profile for compact board spacing
- DC coils to 48 VDC
- High sensitivity, 96 mW pickup
- Life expectancy to 20 million operations
- High switching capacity, 60 W, 250 VA
- Fits standard 16 pin IC socket
- Epoxy sealed for automatic wave soldering and cleaning
- Meets FCC Part 68.302 1500 V lightning surge
- Meets FCC Part 68.304 1000 V dielectric
- UL, CUR file E43203



### CONTACTS

<b>Arrangement</b>	DPDT (2 Form C) Bifurcated crossbar contacts
<b>Ratings</b>	Resistive load: Max. switched power: 90 W or 250 VA Max. switched current: 3 A Max. switched voltage: 250 VDC or 250 VAC
<b>Rated Load UL</b>	3 A at 30 VDC resistive 50K cycles at 70°C 2 A at 30 VDC resistive 2 A at 125 VAC resistive
<b>Material</b>	Gold plated silver against gold plated silver
<b>Resistance</b>	< 50 milliohms initially

### COIL

<b>Power At Pickup Voltage (typical)</b>	Non-Sensitive Coil: 252 mW Standard Coil: 135 mW Sensitive Coil: 128 mW Ultra-Sensitive Coil: 96 mW
<b>Max. Continuous Dissipation</b>	0.9 W at 20°C (68°F)
<b>Temperature</b>	Max. 115°C (239°F)

### NOTES

1. All values at 20°C (68°F).
2. Relay may pull in with less than "Must Operate" value.
3. Relay has fixed coil polarity.
4. For complete isolation between the relay's magnetic fields, it is recommended that a .197" (5.0 mm) space be provided between adjacent relays.
5. Relay adjustment may be affected if undue pressure is exerted on relay case.
6. Specifications subject to change without notice.

### GENERAL DATA

<b>Life Expectancy Mechanical Electrical</b>	Minimum operations 2 x 10 <sup>7</sup> 1 x 10 <sup>5</sup> at 2 A, 30 VDC or 1 A, 125 VAC 2 x 10 <sup>6</sup> at 1 A, 30 VDC or .5 A, 125 VAC
<b>Operate Time (typical)</b>	3 ms at nominal coil voltage
<b>Release Time (typical)</b>	2 ms at nominal coil voltage (with no coil suppression)
<b>Bounce (typical)</b>	3 ms
<b>Dielectric Strength (at sea level)</b>	1500 Vrms contact to coil 1000 Vrms between contact sets 1000 Vrms across contacts Meets FCC Part 68.302 lightning surge Meets FCC Part 68.304 V dielectric
<b>Insulation Resistance</b>	1000 megohms min. at 20°C, 500 VDC, 50% RH
<b>Dropout</b>	Greater than 10% of nominal coil voltage
<b>Ambient Temperature Operating Storage</b>	At nominal coil voltage -40°C (-40°F) to 85°C (185°F) -40°C (-40°F) to 115°C (239°F)
<b>Vibration</b>	50 g at 10–500 Hz
<b>Shock</b>	50 g
<b>Enclosure</b>	P.B.T. polyester
<b>Terminals</b>	Tinned copper alloy, P.C.
<b>Max. Solder Temp.</b>	270°C (518°F)
<b>Max. Solder Time</b>	5 seconds
<b>Max. Solvent Temp.</b>	80°C (176°F)
<b>Max. Immersion Time</b>	30 seconds
<b>Weight</b>	5 grams



**AMERICAN ZETTLER, INC.**

[www.azettler.com](http://www.azettler.com)

75 COLUMBIA • ALISO VIEJO, CA 92656 • PHONE: (949) 831-5000 • FAX: (949) 831-8642 • E-MAIL: SALES@AZETTLER.COM

10/5/12

# AZ832

## RELAY ORDERING DATA

ULTRA SENSITIVE COIL				
COIL SPECIFICATIONS				ORDER NUMBER
Nominal Coil VDC	Max. Continuous VDC	Coil Resistance $\pm 10\%$	Must Operate VDC	
5	12.3	167	4.0	AZ832-2C-5DSE
6	14.5	240	4.8	AZ832-2C-6DSE
9	21.0	540	7.2	AZ832-2C-9DSE
12	29.0	960	9.6	AZ832-2C-12DSE
18	43.5	2160	14.4	AZ832-2C-18DSE
24	57.0	3840	19.2	AZ832-2C-24DSE

SENSITIVE COIL				
COIL SPECIFICATIONS				ORDER NUMBER
Nominal Coil VDC	Max. Continuous VDC	Coil Resistance $\pm 10\%$	Must Operate VDC	
3	6.4	45.0	2.4	AZ832-2C-3DE
5	10.6	125	4.0	AZ832-2C-5DE
6	12.7	180	4.8	AZ832-2C-6DE
9	19.1	405	7.2	AZ832-2C-9DE
12	25.5	720	9.6	AZ832-2C-12DE
18	38.3	1620	14.4	AZ832-2C-18DE
24	50.9	2,880	19.2	AZ832-2C-24DE
48	101.8	11,520	38.4	AZ832-2C-48DE

STANDARD COIL				
COIL SPECIFICATIONS				ORDER NUMBER
Nominal Coil VDC	Max. Continuous VDC	Coil Resistance $\pm 10\%$	Must Operate VDC	
3	5.7	36	2.25	AZ832-2C-3DME
5	9.2	95	3.75	AZ832-2C-5DME
6	11.0	150	4.5	AZ832-2C-6DME
12	23.2	600	9.0	AZ832-2C-12DME
18	34.8	1350	13.5	AZ832-2C-18DME
24	44.6	2210	18.0	AZ832-2C-24DME

NON-SENSITIVE COIL				
COIL SPECIFICATIONS				ORDER NUMBER
Nominal Coil VDC	Max. Continuous VDC	Coil Resistance $\pm 10\%$	Must Operate VDC	
5	6.3	36	3.5	AZ832-2C-5DHE
6	8.9	70	4.2	AZ832-2C-6DHE
9	12.5	140	5.3	AZ832-2C-9DHE
12	17.8	280	8.4	AZ832-2C-12DHE
18	26.7	630	12.6	AZ832-2C-18DHE
24	34.4	1050	16.8	AZ832-2C-24DHE



**AMERICAN ZETTLER, INC.**

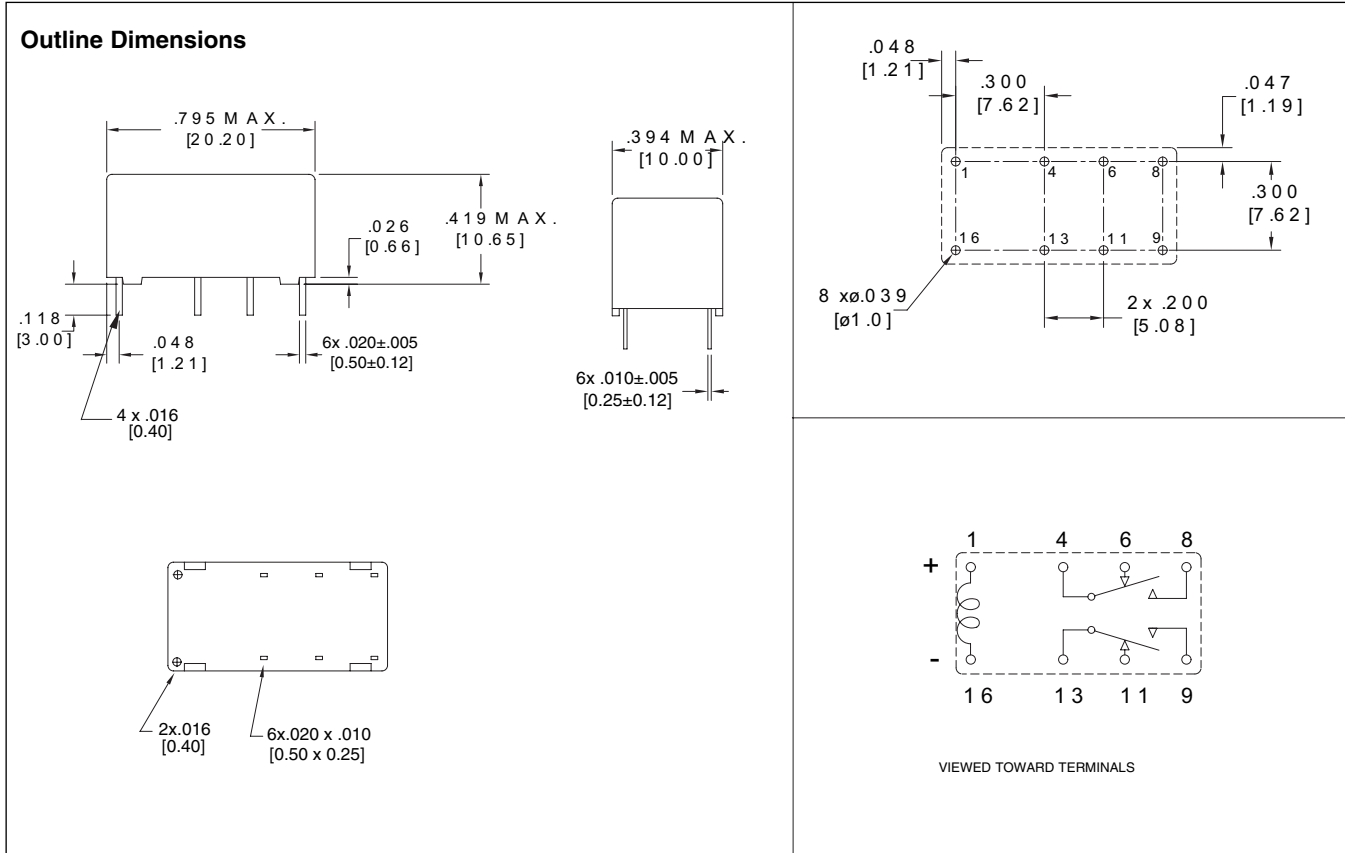
[www.azettler.com](http://www.azettler.com)

75 COLUMBIA • ALISO VIEJO, CA 92656 • PHONE: (949) 831-5000 • FAX: (949) 831-8642 • E-MAIL: SALES@AZETTLER.COM

10/5/12

# AZ832

## MECHANICAL DATA



**AMERICAN ZETTLER, INC.**

[www.azettler.com](http://www.azettler.com)

75 COLUMBIA • ALISO VIEJO, CA 92656 • PHONE: (949) 831-5000 • FAX: (949) 831-8642 • E-MAIL: SALES@AZETTLER.COM

10/5/12