

American Zettler AZ762 RELAY Datasheet

<http://www.manuallib.com/american-zettler/az762-relay-datasheet.html>

FEATURES

- Dielectric strength 5000 Vrms
- Low cost
- Epoxy sealed versions available
- AC and DC coils
- 16 Amp switching
- High inrush version available (80 A)
- Class B (130°C) standard
- Class F (155°C) versions available
- Isolation spacing greater than 10 mm
- UL, CUR file E44211, VDE 40006031

ManualLib.com collects and classifies the global product instruction manuals to help users access anytime and anywhere, helping users make better use of products.

<http://www.manuallib.com>

AZ762

16 A SPDT MINIATURE POWER RELAY

FEATURES

- Dielectric strength 5000 Vrms
- Low cost
- Epoxy sealed versions available
- AC and DC coils
- 16 Amp switching
- High inrush version available (80 A)
- Class B (130°C) standard
- Class F (155°C) versions available
- Isolation spacing greater than 10 mm
- UL, CUR file E44211, VDE 40006031



CONTACTS

Arrangement	SPDT (1 Form C) SPST (1 Form A, 1 Form B)
Ratings	Resistive load: Max. switched power: 480 W or 4432 VA Max. switched current: 16 A Max. switched voltage: 150* VDC or 440 VAC *Note: If switching voltage is greater than 30VDC, special precautions must be taken. Please contact the factory.
Rated Load UL, CUR	16 A at 277 VAC resistive, 50k cycles [1] 16 A at 277 VAC resistive, 100k cycles [3] 1 HP at 250 VAC (1 Form A) [1] 1/2 HP at 125 VAC (1 Form A) [1] TV-5 at 125 VAC (1 Form A) [1] 16 A at 277 VAC resistive, 75k cycles [2] B300 Pilot Duty [2] R300 Pilot Duty [2]
VDE	16 A at 250 VAC resistive [1] and [2] Contact factory for additional VDE ratings [1] Silver cadmium oxide, [2] Silver tin oxide [3] Silver nickel
Material	Silver cadmium oxide or silver tin oxide or silver nickel. Gold plating available
Resistance	< 50 milliohms initially (using 6 V 1 A method)

COIL

Power	
At Pickup Voltage (typical)	196 mW (DC) 0.43 VA (AC)
Max. Continuous Dissipation	1.7 W at 20°C (68°F) ambient
Temperature Rise	26°C (47°F) at nominal coil voltage
Max. Temperature	130°C (266°F)

GENERAL DATA

Life Expectancy	Minimum operations
Mechanical	1 x 10 ⁷
Electrical	1 x 10 ⁵ at 16 A 240 VAC Res.
Operate Time (typical)	7 ms at nominal coil voltage
Release Time (typical)	3 ms at nominal coil voltage (with no coil suppression)
Dielectric Strength (at sea level for 1 min.)	5000 Vrms coil to contact 1000 Vrms between open contacts
Insulation Resistance	1000 megohms min. at 20°C 500 VDC 50% RH
Dropout	Greater than 10% of nominal coil voltage (DC) Greater than 15% of nominal coil voltage (AC)
Ambient Temperature Operating Storage	At nominal coil voltage -40°C (-40°F) to 100°C (212°F) -40°C (-40°F) to 130°C (266°F)
Vibration	0.062" DA at 10–55 Hz
Shock	10 g
Enclosure	P.B.T. polyester
Terminals	Tinned copper alloy, P.C.
Max. Solder Temp.	270°C (518°F)
Max. Solder Time	5 seconds
Max. Solvent Temp.	80°C (176°F)
Max. Immersion Time	30 seconds
Weight	14 grams

NOTES

1. All values at 20°C (68°F).
2. Relay may pull in with less than "Must Operate" value.
3. Specifications subject to change without notice.



AMERICAN ZETTLER, INC.

www.azettler.com

75 COLUMBIA • ALISO VIEJO, CA 92656 • PHONE: (949) 831-5000 • FAX: (949) 831-8642 • E-MAIL: SALES@AZETTLER.COM

9/25/07W

AZ762

RELAY ORDERING DATA

COIL SPECIFICATIONS - DC COIL				ORDER NUMBER*	
Nominal Coil VDC	Must Operate VDC	Max. Continuous VDC	Coil Resistance $\pm 10\%$	Unsealed	Sealed
5	3.5	10.2	62	AZ762-1C-5D	AZ762-1C-5DE
6	4.2	12.3	90	AZ762-1C-6D	AZ762-1C-6DE
12	8.4	24.7	360	AZ762-1C-12D	AZ762-1C-12DE
18	12.6	37.0	810	AZ762-1C-18D	AZ762-1C-18DE
24	16.8	49.4	1,440	AZ762-1C-24D	AZ762-1C-24DE
48	33.6	98.0	5760	AZ762-1C-48D	AZ762-1C-48DE
60	42.0	112.9	7,500	AZ762-1C-60D	AZ762-1C-60DE
110	77.0	206.9	25,200	AZ762-1C-110D	AZ762-1C-110DE

COIL SPECIFICATIONS - AC COIL					ORDER NUMBER*	
Nominal Coil VAC	Must Operate VAC	Max. Continuous VAC	Coil Current (mA)	Coil Resistance	Unsealed	Sealed
24	18.0	31.2	31.6	350 $\pm 10\%$	AZ762-1C-24AF	AZ762-1C-24AEF
115	86.3	149.5	6.6	8,100 $\pm 15\%$	AZ762-1C-115AF	AZ762-1C-115AEF
230	172.5	299.0	3.2	32,500 $\pm 15\%$	AZ762-1C-230AF	AZ762-1C-230AEF

Substitute "1A" or "1B" in place of "1C" for Form A or B respectively. Add suffix "E" to "1A" or "1B" or "1C" for silver tin oxide contacts. Add suffix "B" to "1A" or "1B" or "1C" for silver nickel contacts. Add suffix "A" for gold plated contacts. Add suffix "F" for Class F version (DC coils only). Add suffix "I" at the end of part number for high inrush version 80A (contact form 1AE only, DC coils only, no gold plating).



AMERICAN ZETTLER, INC.

www.azettler.com

75 COLUMBIA • ALISO VIEJO, CA 92656 • PHONE: (949) 831-5000 • FAX: (949) 831-8642 • E-MAIL: SALES@AZETTLER.COM

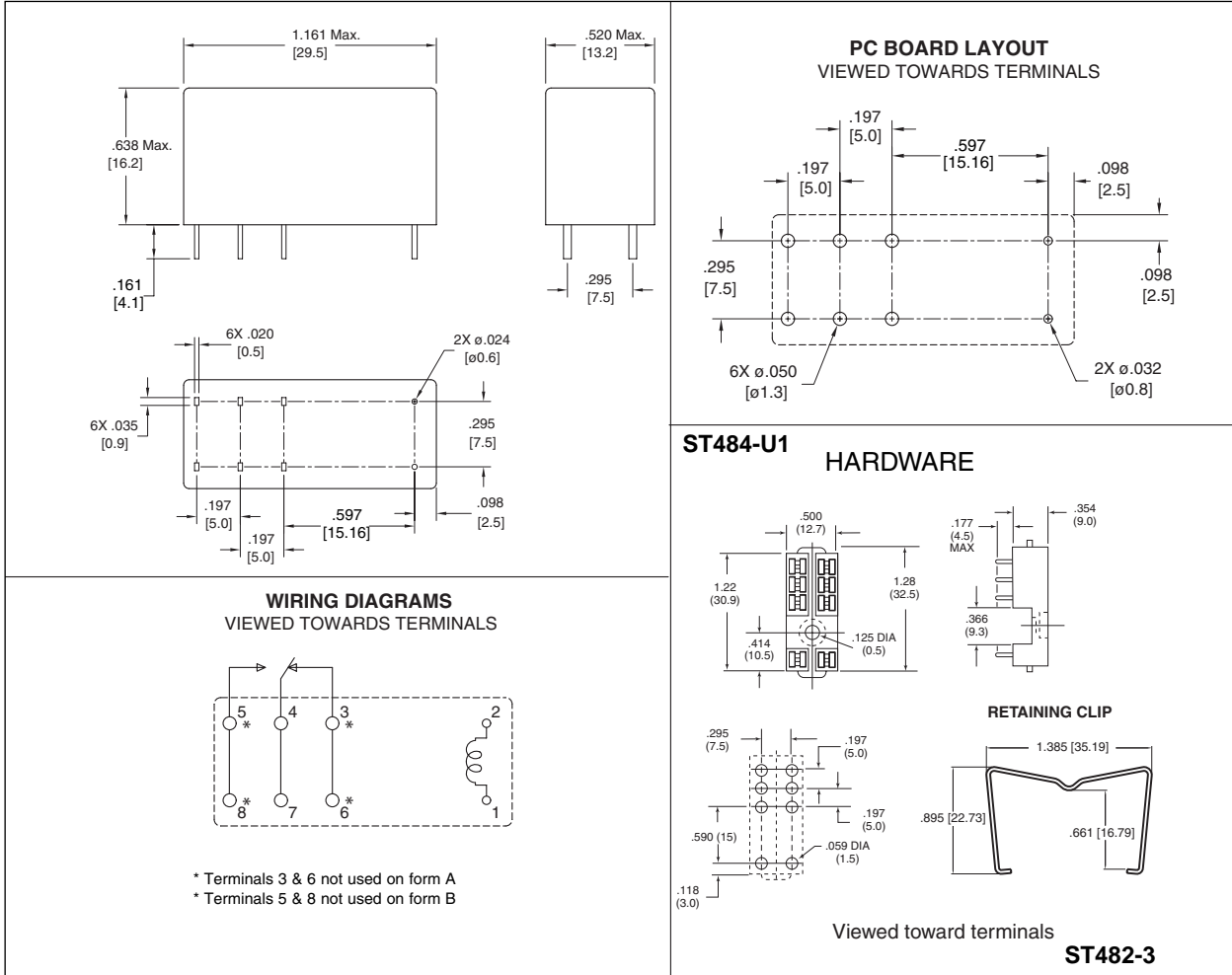
9/25/07W

AZ762

HARDWARE ORDERING DATA

DESCRIPTION	ORDER NUMBER	DESCRIPTION	ORDER NUMBER
Socket	ST484-U1	Retainer	ST482-3

MECHANICAL DATA



Dimensions in inches with metric equivalents in parentheses. Tolerance: $\pm .010$ "



AMERICAN ZETTLER, INC.

www.azettler.com

75 COLUMBIA • ALISO VIEJO, CA 92656 • PHONE: (949) 831-5000 • FAX: (949) 831-8642 • E-MAIL: SALES@AZETTLER.COM

9/25/07W