

Bothhand USA TS8121V LF(M) transformer Datasheet

<http://www.manuallib.com/bothhand-usa/ts8121v-lf-m-transformer-datasheet.html>

Designed to meet IEEE 802.3u requirement,including 350uH OCL with 8mA bias.

Comply with RoHS requirements-whole part No Cd, No Hg,No Cr6+,No PBB and PBDE and No Pb on external pins.

Operating temperature range: 0°C to +70°C.

Storage temperature range: -25°C to +125°C.

ManualLib.com collects and classifies the global product instruction manuals to help users access anytime and anywhere, helping users make better use of products.

<http://www.manuallib.com>

10/100 BASE PULSE TRANSFORMER

P/N: TS8121V LF DATA SHEET

Feature



- Designed to meet IEEE 802.3u requirement, including 350uH OCL with 8mA bias.
- Comply with RoHS requirements-whole part No Cd, No Hg, No Cr6+, No PBB and PBDE and No Pb on external pins.
- Operating temperature range: 0°C to +70°C.
- Storage temperature range: -25°C to +125°C.

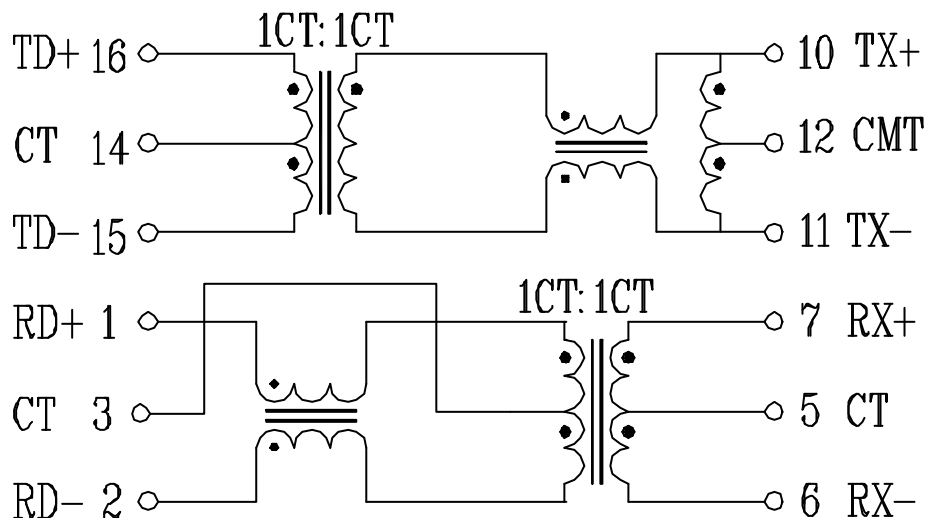
Electrical Specifications @ 25°C

Part Number	Turns Ratio ($\pm 3\%$)		OCL (μH Min) @ 100KHz/0.1V with 8mA Bias	C_{www} (pF Max)	L.L. (μH Max)	HI-POT (Vrms)
	TX	RX				
TS8121VLF	1CT: 1	1CT: 1CT	350	28	0.4	1500

Continue

Part Number	Insertion Loss (dB Max)	Return Loss (dB Min)			Cross talk (dB Min)	CMR (dB Min)
	0.3MHz -100 MHz	1-30MHz	40-50MHz	60-80MHz	0.3MHz-100MHz	0.3MHz-100MHz
TS8121VLF	-1.0	-18	-15	-12	-38	-40

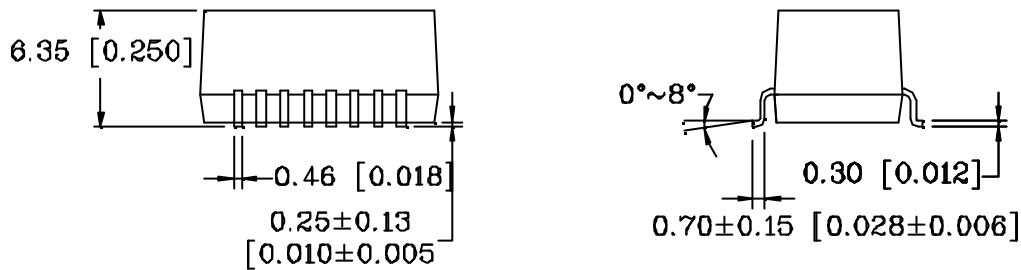
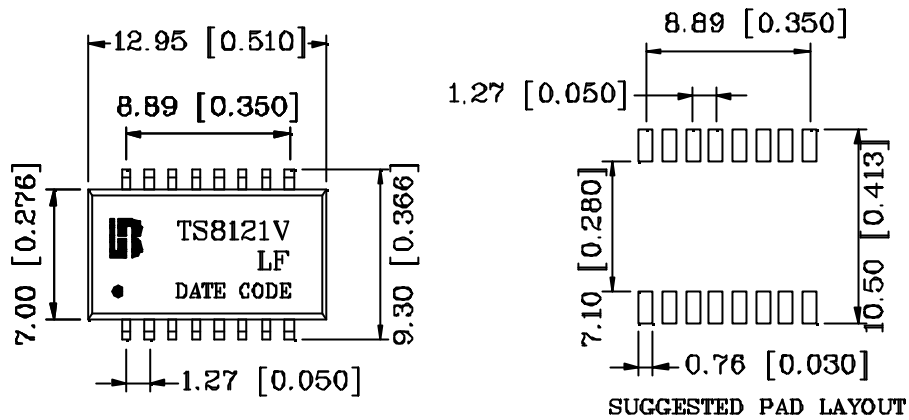
Schematic



10/100 BASE PULSE TRANSFORMER

P/N: TS8121V LF DATA SHEET

Mechanical



Units: mm[Inches] Tolerances: xx.x0±0.25[0.010]
0.xx±0.05[0.002]