

# CONEXANT CX2077x Audio Codec Manual

<http://www.manuallib.com/conexant/cx2077x-audio-codec-manual.html>

Conexant's CX2077x is the first USB audio codec Integrated Circuit (IC) product family that incorporates the functionality of a digital audio/voice processor, USB audio codec, and Tricolor Pulse-Width Modulator(PWM)driver,and digital audio interfaces in one cost-effective,single-chip package. The award-winning Digital Signal Processor (DSP) runs a suite of turnkey audio and voice algorithms that greatly enhances the voice and audio experience.The devices are part of Conexant's embedded audio solutions and are specifically designed for USB audio peripherals, including headsets,headphones, and microphones.The CX2077x product family includes CX20773,CX20774,and CX20776.

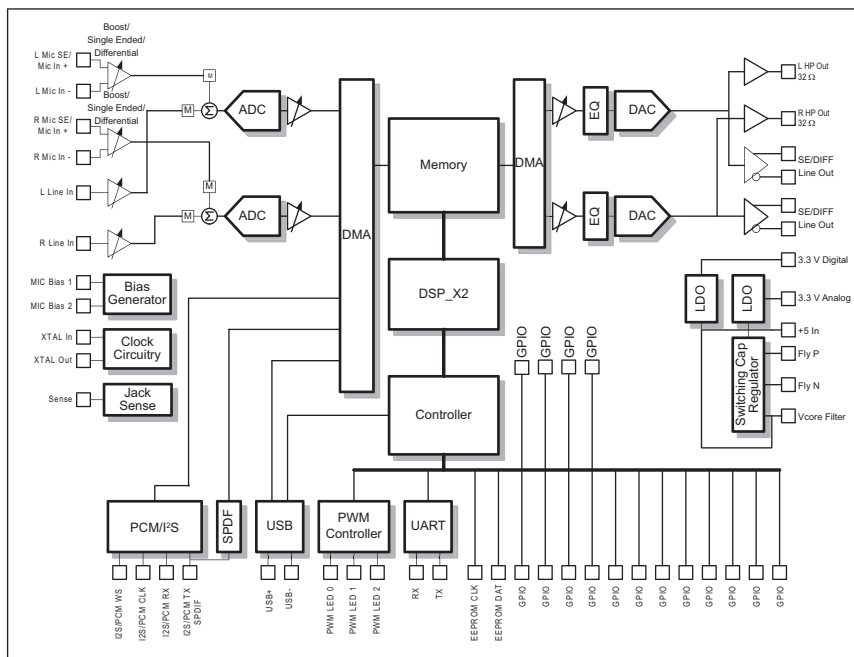
ManualLib.com collects and classifies the global product instruction manuals to help users access anytime and anywhere, helping users make better use of products.

<http://www.manuallib.com>



## CX2077x Product Comparison

Feature	Part Number		
	CX20773	CX20774	CX20776
USB Audio	USB 2.0 Full Speed	USB 2.0 Full Speed	USB 2.0 Full Speed
Converter/Sampling Rate	2 DAC/ 2 ADC Supporting 8, 16, 24, 32, 44.1, 48 KHz	2 DAC/ 2 ADC Supporting 8, 16, 24, 32, 44.1, 48 KHz	2 DAC/ 2 ADC Supporting 8, 16, 24, 32, 44.1, 48 KHz
Tri-color PWM LED Driver	No	Yes	Yes
Microphone In	Stereo	Stereo	Differential Stereo
Headphone	Stereo	Stereo	Stereo
Differential Line Out	No	No	Yes
Text LCD Display Controller	No	No	Yes
Keypad/Buttons	8 Keys	8 Keys	24 Keys
Four Position Toggle Switch	Yes	Yes	Yes
I <sup>2</sup> S	Yes	Yes	Yes
SPDIF Out	Yes	Yes	Yes
DSP	Yes	Yes	Yes
Auxiliary Input	Yes	Yes	Yes
Package	48 QFN	48 QFN	64 QFN



**CX2077x System Block Diagram**

### Conexant Product Portfolio

Conexant's comprehensive product portfolio includes solutions for imaging, audio, video surveillance, and embedded modem applications.

© 2011 Conexant Systems, Inc. All Rights Reserved. Conexant and the Conexant logo are registered trademarks of Conexant Systems, Inc. All other trademarks are owned by their respective owners. Although Conexant strives for accuracy in all its publications, this material may contain errors or omissions and is subject to change without notice. **THIS MATERIAL IS PROVIDED AS IS AND WITHOUT ANY EXPRESS OR IMPLIED WARRANTIES, INCLUDING MERCHANTABILITY, FITNESS FOR A PARTICULAR PURPOSE AND NON-INFRINGEMENT.** Conexant shall not be liable for any special, indirect, incidental or consequential damages as a result of its use.

**www.conexant.com**  
 General Information:  
 U.S. and Canada: (888) 855-4562  
 International: 1+ (949) 483-3000  
 Headquarters  
 4000 MacArthur Blvd.  
 Newport Beach, CA 92660

Doc# PBR-202763

