

Panasonic®

Operating Instructions

操作手册 取扱説明書

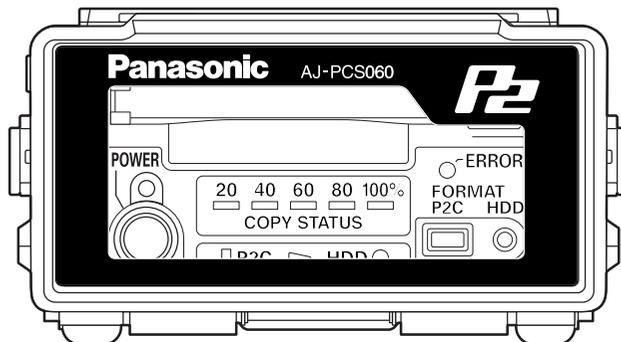


Portable Hard Disk Unit

便携式存储器

ポータブルハードディスクユニット

Model No. AJ-**PCS060**G



DEUTSCH Fur Erläuterungen in Deutsch, konsultieren Sie bitte die mitgelieferte CD-ROM.

FRANÇAIS Pour des explications en français, veuillez vous reporter au CD-ROM fourni.

ITALIANO Per le istruzioni in italiano, vedere il CD-ROM in dotazione.

ESPAÑOL Para la explicación en español, consulte el CD-ROM suministrado.

Before operating this product, please read the instructions carefully and save this manual for future use.

在操作本机之前，请仔细阅读本说明书，并将说明书妥善保管，以备将来使用。

お買い上げいただき、まことにありがとうございました。

この取扱説明書をよくお読みのうえ、正しくお使いください。

特に「安全上のご注意」は、ご使用前に必ずお読みいただき、安全にお使いください。お読みになったあとは、保証書と一緒に大切に保管し、必要なときにお読みください。

Read this first!

For U.S.A. and Canada

IMPORTANT

“Unauthorized recording of copyrighted television programmes, video tapes and other materials may infringe the rights of copyright holders and contravene copyright laws.”

Operating precaution

Operation near any appliance which generates strong magnetic fields may give rise to noise in the video and audio signals. If this should be the case, deal with the situation by, for instance, moving the source of the magnetic fields away from the unit before operation.



CAUTION
RISK OF ELECTRIC SHOCK
DO NOT OPEN



CAUTION: TO REDUCE THE RISK OF ELECTRIC SHOCK, DO NOT REMOVE COVER (OR BACK). NO USER-SERVICEABLE PARTS INSIDE. REFER SERVICING TO QUALIFIED SERVICE PERSONNEL.



The lightning flash with arrowhead symbol, within an equilateral triangle, is intended to alert the user to the presence of uninsulated “dangerous voltage” within the product’s enclosure that may be of sufficient magnitude to constitute a risk of electric shock to persons.



The exclamation point within an equilateral triangle is intended to alert the user to the presence of important operating and maintenance (servicing) instructions in the literature accompanying the appliance.

WARNING:

- TO REDUCE THE RISK OF FIRE OR SHOCK HAZARD, DO NOT EXPOSE THIS EQUIPMENT TO RAIN OR MOISTURE.
- TO REDUCE THE RISK OF FIRE OR SHOCK HAZARD, KEEP THIS EQUIPMENT AWAY FROM ALL LIQUIDS. USE AND STORE ONLY IN LOCATIONS WHICH ARE NOT EXPOSED TO THE RISK OF DRIPPING OR SPLASHING LIQUIDS, AND DO NOT PLACE ANY LIQUID CONTAINERS ON TOP OF THE EQUIPMENT.

CAUTION:

Danger of explosion or fire if battery is mistreated.

- Replace only with same or specified type.
- Do not disassemble or dispose of in fire.
- Do not store in temperatures over 60 °C.
- Use specified charger for rechargeable batteries.
- Do not recharge the battery if it is not a rechargeable type.

For memory back up battery

- Danger of explosion if battery is incorrectly replaced.
Replace only with the same or equivalent type.
- Refer replacement back-up battery to qualified service personnel.

CAUTION:

In order to maintain adequate ventilation, do not install or place this unit in a bookcase, built-in cabinet or any other confined space. To prevent risk of electric shock or fire hazard due to overheating, ensure that curtains and any other materials do not obstruct the ventilation.

CAUTION:

TO REDUCE THE RISK OF FIRE OR SHOCK HAZARD AND ANNOYING INTERFERENCE, USE THE RECOMMENDED ACCESSORIES ONLY.

 indicates safety information.

A rechargeable battery that is recyclable powers the product you have purchased.

For U.S.A. - California Only

This product contains a CR Coin Cell Lithium Battery which contains Perchlorate Material—special handling may apply.

See www.dtsc.ca.gov/hazardouswaste/perchlorate

Read this first! (continued)

For U.S.A. and Canada

FCC NOTICE (USA)

Declaration of Conformity

Model Number: AJ-PCS060G
Trade Name: PANASONIC
Responsible Party: Panasonic Corporation of North America
One Panasonic Way, Secaucus, NJ 07094
Support contact: Panasonic Broadcast & Television Systems Company
1-800-524-1448

This device complies with Part 15 of FCC Rules.

Operation is subject to the following two conditions:

(1) This device may not cause harmful interference, and (2) this device must accept any interference received, including interference that may cause undesired operation.

To assure continued compliance, follow the attached installation instructions and do not make any unauthorized modifications.

CAUTION:

This equipment has been tested and found to comply with the limits for a Class B digital device, pursuant to Part 15 of the FCC Rules. These limits are designed to provide reasonable protection against harmful interference in a residential installation. This equipment generates, uses and can radiate radio frequency energy and, if not installed and used in accordance with the instructions, may cause harmful interference to radio communications. However, there is no guarantee that interference will not occur in a particular installation. If this equipment does cause harmful interference to radio or television reception, which can be determined by turning the equipment off and on, the user is encouraged to try to correct the interference by one of the following measures:

- Reorient or relocate the receiving antenna.
- Increase the separation between the equipment and receiver.
- Connect the equipment into an outlet on a circuit different from that to which the receiver is connected.
- Consult the dealer or an experienced radio/TV technician for help.

The user may find the booklet "Something About Interference" available from FCC local regional offices helpful.

FCC Warning:

To assure continued FCC emission limit compliance, the user must use only shielded interface cables when connecting to host computer or peripheral devices. Also, any unauthorized changes or modifications to this equipment could void the user's authority to operate this device.

IMPORTANT SAFEGUARDS

1. Read Instructions — All the safety and operating instructions should be read before the unit is operated.
2. Retain Instructions — The safety and operating instructions should be retained for future reference.
3. Heed Warnings — All warnings on the unit and in the operating instructions should be adhered to.
4. Follow Instructions — All operating and maintenance instructions should be followed.
5. Cleaning — Unplug this video unit from the wall outlet before cleaning. Do not use liquid or aerosol cleaners. Use a dry cloth for cleaning.
6. Attachments — Do not use attachments not recommended by the video product manufacturer as they may be hazardous.
7. Water and Moisture — Do not use this video unit near water — for example near a bath tub, wash bowl, kitchen sink, or laundry tub, in a wet basement, or near a swimming pool, and the like.
8. Accessories — Do not place this video unit on an unstable cart, stand, tripod, bracket, or table. The video unit may fall, causing serious injury to a child or adult, and serious damage to the unit. Use only with a cart, stand, tripod, bracket, or table recommended by the manufacturer, or sold with the video unit. Any mounting of the unit should follow the manufacturer's instructions and should use a mounting accessory recommended by the manufacturer. An appliance and cart combination should be moved with care. Quick stops, excessive force, and uneven surfaces may cause the appliance and cart combination to overturn.
9. Ventilation — Slots and openings in the cabinet are provided for ventilation and to ensure reliable operation of the video unit and to protect it from overheating. These openings must not be blocked or covered. Never place the video unit on a bed, sofa, rug, or other similar surface, or near or over a radiator or heat register. This video unit should not be placed in a built-in installation such as a bookcase or rack unless proper ventilation is provided or the manufacturer's instructions have been adhered to.
10. Power Sources — This video unit should be operated only from the type of power source indicated on the marking label. If you are not sure of the type of power supply to your home, consult your appliance dealer or local power company. For video units intended to be operated from battery power, or other sources, refer to the operating instructions.

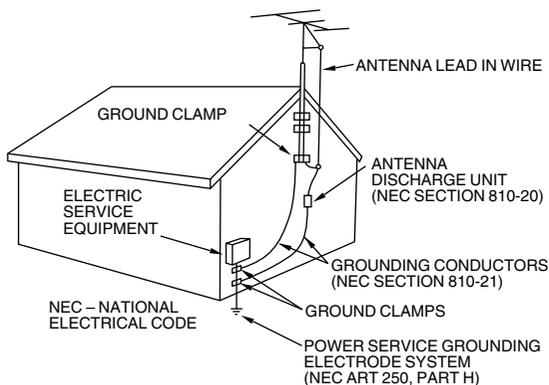


S3125A

(Continued on next page)

Read this first! (continued)

11. **Grounding or Polarization** — This video unit may be equipped with either a polarized 2-wire AC (Alternating Current) line plug (a plug having one blade wider than the other) or 3-wire grounding type plug, a plug having a third (grounding) pin. The 2-wire polarized plug will fit into the power outlet only one way. This is a safety feature. If you are unable to insert the plug fully into the outlet, try reversing the plug. If the plug still fails to fit, contact your electrician to replace your obsolete outlet. Do not defeat the safety purpose of the polarized plug. The 3-wire grounding type plug will fit into a grounding type power outlet. This is a safety feature. If you are unable to insert the plug into the outlet, contact your electrician to replace your obsolete outlet. Do not defeat the safety purpose of the grounding type plug.
12. **Power-Cord Protection** — Power-supply cords should be routed so that they are not likely to be walked on or pinched by items placed upon or against them, paying particular attention to cords of plugs, convenience receptacles, and the point where they exit from the unit.
13. **Outdoor Antenna Grounding** — If an outside antenna or cable system is connected to the video unit, be sure the antenna or cable system is grounded so as to provide some protection against voltage surges and built-up static charges. Part 1 of the Canadian Electrical Code, in USA Section 810 of the National Electrical Code, provides information with respect to proper grounding of the mast and supporting structure, grounding of the lead-in wire to an antenna discharge unit, size of grounding conductors, location of antenna discharge unit, connection to grounding electrodes, and requirements for the grounding electrode.



14. **Lightning** — For added protection of this video unit receiver during a lightning storm, or when it is left unattended and unused for long periods of time, unplug it from the wall outlet and disconnect the antenna or cable system. This will prevent damage to the video unit due to lightning and power-line surges.

15. **Power Lines** — An outside antenna system should not be located in the vicinity of overhead power lines or other electric light or power circuits, or where it can fall into such power lines or circuits. When installing an outside antenna system, extreme care should be taken to keep from touching such power lines or circuits as contact with them might be fatal.
16. **Overloading** — Do not overload wall outlets and extension cords as this can result in a risk of fire or electric shock.
17. **Objects and Liquids** — Never push objects of any kind into this video unit through openings as they may touch dangerous voltage points or short out parts that could result in a fire or electric shock. Never spill liquid of any kind onto the video unit.
18. **Servicing** — Do not attempt to service this video unit yourself as opening or removing covers may expose you to dangerous voltage or other hazards. Refer all servicing to qualified service personnel.
19. **Damage Requiring Service** — Unplug this video unit from the wall outlet and refer servicing to qualified service personnel under the following conditions:
- When the power-supply cord or plug is damaged.
 - If any liquid has been spilled onto, or objects have fallen into the video unit.
 - If the video unit has been exposed to rain or water.
 - If the video unit does not operate normally by following the operating instructions. Adjust only those controls that are covered by the operating instructions, as an improper adjustment of other controls may result in damage and will often require extensive work by a qualified technician to restore the video unit to its normal operation.
 - If the video unit has been dropped or the cabinet has been damaged.
 - When the video unit exhibits a distinct change in performance – this indicates a need for service.
20. **Replacement Parts** — When replacement parts are required, be sure the service technician has used replacement parts specified by the manufacturer or have the same characteristics as the original part. Unauthorized substitutions may result in fire, electric shock or other hazards.
21. **Safety Check** — Upon completion of any service or repairs to this video unit, ask the service technician to perform safety checks to determine that the video unit is in safe operating order.

FCC Warning: Any unauthorized changes or modifications to this equipment would void the user's authority to operate.

Read this first! (continued)

For Europe

IMPORTANT

“Unauthorized recording of copyrighted television programmes, video tapes and other materials may infringe the rights of copyright holders and contravene copyright laws.”

Operating precaution

Operation near any appliance which generates strong magnetic fields may give rise to noise in the video and audio signals. If this should be the case, deal with the situation by, for instance, moving the source of the magnetic fields away from the unit before operation.

WARNING:

- TO REDUCE THE RISK OF FIRE OR SHOCK HAZARD, DO NOT EXPOSE THIS EQUIPMENT TO RAIN OR MOISTURE.
- TO REDUCE THE RISK OF FIRE OR SHOCK HAZARD, KEEP THIS EQUIPMENT AWAY FROM ALL LIQUIDS. USE AND STORE ONLY IN LOCATIONS WHICH ARE NOT EXPOSED TO THE RISK OF DRIPPING OR SPLASHING LIQUIDS, AND DO NOT PLACE ANY LIQUID CONTAINERS ON TOP OF THE EQUIPMENT.

CAUTION:

- Danger of explosion or fire if battery is mistreated.
- Replace only with same or specified type.
 - Do not disassemble or dispose of in fire.
 - Do not store in temperatures over 60 °C.
 - Use specified charger for rechargeable batteries.
 - Do not recharge the battery if it is not a rechargeable type.

For memory back up battery

- Danger of explosion if battery is incorrectly replaced. Replace only with the same or equivalent type.
- Refer replacement back-up battery to qualified service personnel.

CAUTION:

In order to maintain adequate ventilation, do not install or place this unit in a bookcase, built-in cabinet or any other confined space. To prevent risk of electric shock or fire hazard due to overheating, ensure that curtains and any other materials do not obstruct the ventilation.

CAUTION:

TO REDUCE THE RISK OF FIRE OR SHOCK HAZARD AND ANNOYING INTERFERENCE, USE THE RECOMMENDED ACCESSORIES ONLY.

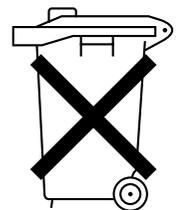
■ DO NOT REMOVE PANEL COVERS BY UNSCREWING THEM.

To reduce the risk of electric shock, do not remove the covers. No user serviceable parts inside. Refer servicing to qualified service personnel.

 indicates safety information.

Attention/Attentie

- Batteries are used for the main power source and memory back-up in the product. At the end of their useful life, you should not throw them away. Instead, hand them in as small chemical waste.
- Voor de primaire voeding en het reservegeheugen van het apparaat wordt gebruikgemaakt van een batterij. Wanneer de batterij is uitgeput, mag u deze niet gewoon weggooien, maar dient u deze als klein chemisch afval weg te doen.



Read this first! (continued)

Information on Disposal for Users of Waste Electrical & Electronic Equipment (private households)



This symbol on the products and/or accompanying documents means that used electrical and electronic products should not be mixed with general household waste.

For proper treatment, recovery and recycling, please take these products to designated collection points, where they will be accepted on a free of charge basis. Alternatively, in some countries you may be able to return your products to your local retailer upon the purchase of an equivalent new product.

Disposing of this product correctly will help to save valuable resources and prevent any potential negative effects on human health and the environment which could otherwise arise from inappropriate waste handling. Please contact your local authority for further details of your

nearest designated collection point.

Penalties may be applicable for incorrect disposal of this waste, in accordance with national legislation.

For business users in the European Union

If you wish to discard electrical and electronic equipment, please contact your dealer or supplier for further information.

Information on Disposal in other Countries outside the European Union

This symbol is only valid in the European Union.

If you wish to discard this product, please contact your local authorities or dealer and ask for the correct method of disposal.

Contents

Getting Started

Read this first!	E-1	For better performance	E-8
IMPORTANT SAFEGUARDS	E-2	AJ-PCS060G	E-8
Overview	E-7	Hard disk	E-8
Features	E-7	Cleaning	E-9
Included accessories	E-7	Maintenance	E-9
Options	E-7	AC adapter	E-9
		Battery pack	E-9

Using the AJ-PCS060G

Control reference guide	E-10	Write-protection on P2 cards	E-14
Front	E-10	HDD capacity indicator	E-14
Top	E-11	Battery level indicator	E-15
Right side	E-11	Copying from P2 cards to the HDD	E-15
Left side	E-12	Canceling copy operations	E-17
Back	E-12	Formatting	E-17
Copying	E-13	Formatting P2 cards	E-17
Turning the unit ON and OFF	E-13	Formatting the HDD	E-18
Inserting P2 cards	E-13	Auto power OFF during use	E-18
Ejecting P2 cards	E-13		

Connecting to a Computer

Connecting to a computer	E-19	HDD page	E-23
Overview of dedicated software	E-21	S.M.A.R.T page	E-25
Starting and closing P2Store Manager	E-22	Setup page	E-26
P2Store Manager screens	E-23	Upgrade page	E-27
		Updating procedure	E-28

Troubleshooting and Reference

ERROR LED display	E-29	Specifications	E-32
Troubleshooting	E-31		

• Microsoft and the Microsoft logo, Windows are registered trademarks or trademarks of Microsoft Corporation in the United States and other countries.

• Apple, Macintosh, and the respective logos are registered trademarks or trademarks of Apple Computer, Inc. in the United States and other countries.

• Intel and Pentium are registered trademarks or trademarks of Intel Corporation in the United States and other countries.

• Other product names or corporate names in this manual are either trademarks or registered trademarks of their respective owners. In this manual, the trademark symbol ™ and registered symbol ® are omitted.

Overview

The AJ-PCS060G is a dedicated portable hard disk unit for AJ-P2C series P2 memory cards. It features a USB 2.0 (Type B) interface for data transfer with a computer. Data from P2 camera-recorders can easily be copied to the 60 GB internal hard disk.

Features

- P2 card slot
- Internal 2.5 60 GB hard disk
- Improved shock resistance from an acceleration sensor and protective materials around the hard disk ¹⁾
- High-speed copying of P2 card data directly to the hard disk
- Fast data transfer to a computer via the USB 2.0 cable

1) Shock Resistance

- If a disk operation (such as copying) is in progress when the sensor detects that the unit is hit or dropped, the hard drive head is automatically parked to protect the disk and data.
- The hard disk is also protected by impact-absorbing materials. However, no guarantee against damage or data loss is implied.

Included accessories

- **Install Manual** 1
- **Ferrite core** 1
- **CD-ROM**
[Includes P2 Driver, P2 Card Manager,
Install Manual and Operating Instructions (this manual)]..... 1

Options

- Battery pack CGR-D16 (1,600 mAh)
 CGA-D54 (5,400 mAh)
- AC adapter AG-B15

For better performance

AJ-PCS060G

The unit's internal hard disk is protected by materials to withstand impact or drops better. However, please understand that no guarantee against damage or data loss is implied.

As optional accessories, use a recommended battery pack and AC adapter.

Hard disk

The unit houses a hard disk drive ("HDD").

Take the following precautions during setup and use to protect the HDD and data stored on it from data loss or interrupted operation.

- Do not subject the unit to vibration or impact during use. (Otherwise, the HDD may be damaged.)
- Do not use the unit where vibration occurs or put it on unstable surfaces.
- Do not use it in enclosed areas without air circulation, where operating heat cannot be dissipated.
- Do not subject it to extreme changes in temperature.
 - Using the unit where the temperature changes suddenly poses a risk of condensation. Using the unit with internal condensation may damage the HDD. Ensure a fairly constant room temperature, where any temperature changes occur at less than 20 °C (68 °F) per hour.
- Do not use the unit in extremely humid places.
- Do not remove the battery pack or unplug the AC adapter when the power is on.
- Before transferring the unit elsewhere, always turn the unit OFF by holding the [POWER] button for at least 2 seconds and waiting for it to finish shutting down.

Wait until it has stopped moving completely (about 2 minutes), and protect it from vibration and impact in transit. (After turned OFF, the HDD will continue spinning from inertia for a while.)
- Do not use the unit at altitudes lower than -90 m (-300 feet or lower), or higher than 3,000 m (10,000 feet or higher) above sea level.

The HDD is a high-precision device. Operating conditions may pose a risk of partial damage, and in a worst-case scenario, there is a serious risk that data cannot be read or recorded. Thus, please do not consider the internal HDD a permanent storage place for data. Use it as a temporary storage device until you can back up data on other storage media.

■ Recorded data

If the HDD is damaged, data recorded on it will be lost. Always keep an extra copy of important data on separate storage media. See page E-21 for instructions on backing up data.

Note that Panasonic cannot be liable for data lost from HDD failure or other problems, or for other direct or indirect loss.

■ Erasure of HDD data before disposal or transference of the unit

When you dispose of the unit or transfer it, we urge you to take responsibility for erasing any important data on the HDD. This will avoid any problems from leaked information. Dispose of the HDD after bringing it near a strong magnetic field and breaking it with a hammer or other means to make it unreadable.

For better performance (continued)

Cleaning

Never clean the unit with solvents such as benzene, thinner, or alcohol

- Before cleaning, remove the battery pack or unplug the AC adapter.
- Cleaning the unit with solvents may damage the outer case or cause the paint to peel.
- Use a clean, soft dry cloth to wipe away dust or dirt. If the unit becomes quite dirty, wipe it with a cloth dampened in diluted neutral detergent after wringing the cloth well. Use a dry cloth to wipe it dry.
- If you use a chemically treated dust cloth, follow the precautions for use.

Maintenance

The unit's internal hard disk drive (HDD) is a high-performance part that is subject to maintenance.

To keep the unit in optimal condition, we recommend that you inspect it regularly and bring it to the place of purchase for periodic maintenance.

Ask your dealer for further details about periodic maintenance.

Request periodic maintenance under this guideline. See page E-24 for instructions on checking the operating time.

Every 2,000 hours of use

Tips:

- In some cases, the content of the HDD is cleared during maintenance, so any data will be lost. Before maintenance, always back up needed data on separate storage media. Please understand that you will not be compensated for lost data.
- You will not be compensated for data stored on the HDD in the case of HDD failure. Lost data cannot be recovered. The HDD is for temporary storage of data, and we recommend backing up needed data promptly.

AC adapter

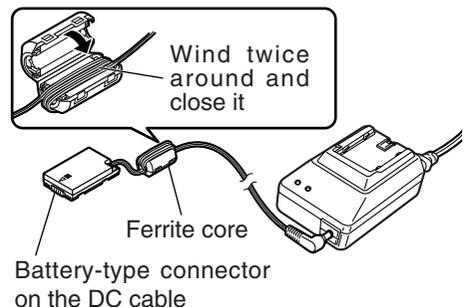
Use the optional AC adapter (AG-B15).

Read the user's manuals of all accessories carefully before use.

Note:

When using an AC adapter, attach the included ferrite core near the base of the battery-type connector on the DC cable connected to the unit. Be sure to wind the cable around the ferrite core twice, as shown, at time of attachment.

If you do not use the ferrite core, other devices may be affected by the unit.

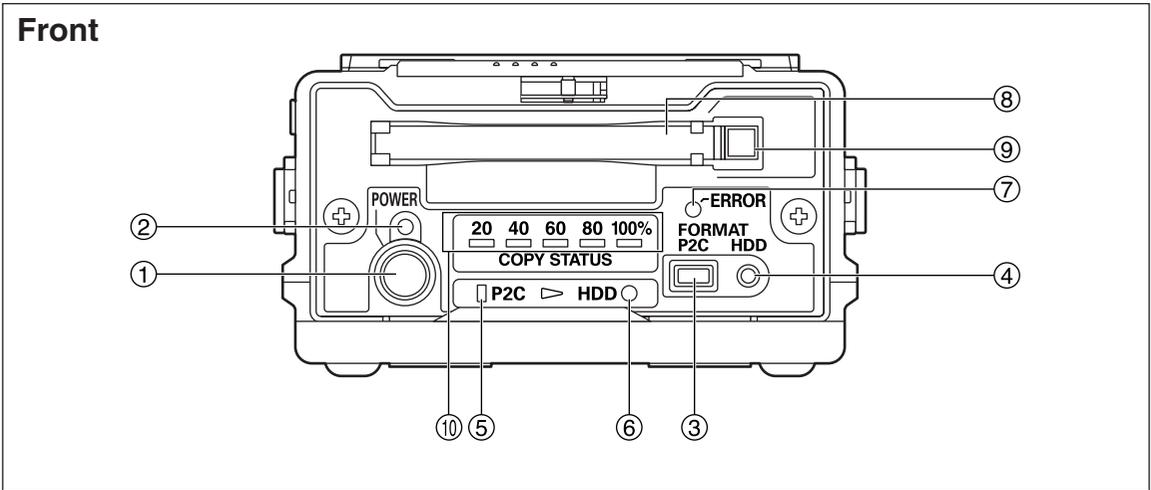


Battery pack

Use the optional Battery pack.

Read the user's manuals of all accessories carefully before use.

Control reference guide



① POWER button

Use this button to turn the unit ON and OFF. When the unit is OFF, simply press the [POWER] button to turn it ON. When ON, hold the [POWER] button for **at least two seconds** to turn it OFF.

② POWER LED

Lights when the unit is ON. The POWER LED flashes during startup or shutdown.

③ P2C button

Press to format P2 cards. After copying data to the HDD, you can format the P2 card as needed. (See page E-17)

Note:

Data cannot be recovered after formatting. Before formatting cards, make sure all the data may safely be deleted.

④ HDD button

Press to format the internal HDD. All unneeded data on the HDD can be deleted at once. (See page E-18)

Note:

Data cannot be recovered after formatting. Before formatting the HDD, make sure all the data may safely be deleted.

⑤ P2C LED

Lights or flashes when the unit is accessing a P2 card. (See pages E-16, E-17 and E-28)

⑥ HDD LED

Lights or flashes when the unit is accessing the internal HDD. (See pages E-16, E-18 and E-28)

⑦ ERROR LED

Lights or flashes if errors occur. Errors are identified by the combination of [COPY STATUS] LEDs on the front and [E1 to E4], [P2C], and [HDD] LEDs on the top. (See pages E-15 and E-29 to E-31)

⑧ P2 card slot

A dedicated slot for P2 cards. Before inserting a P2 card, make sure the EJECT button ⑨ is in. Hold the card level as you insert it. **Never insert anything in the slot except P2 cards.**

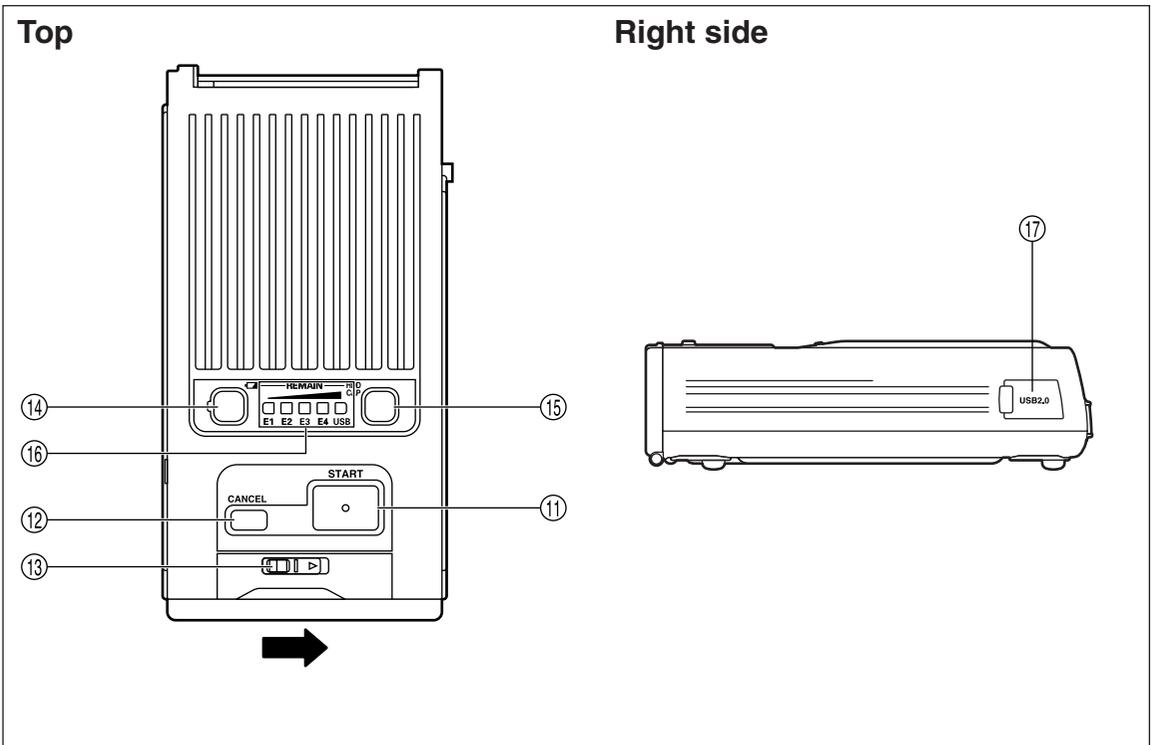
⑨ EJECT button

Press to eject P2 cards from the slot. (See page E-13)

⑩ COPY STATUS LEDs

Indicates the progress of copying or formatting. (See pages E-16, E-17, E-18, E-28 and E-31)

Control reference guide (continued)



⑪ **START button**

Press to start copying or formatting.
 Hold the [START] button for **at least 2 seconds** to start either process.

⑫ **CANCEL button**

Press to cancel copying.
 During copying, hold the [CANCEL] button for **at least 2 seconds** to cancel copying.

⑬ **Sliding knob**

To open the front panel cover, slide the knob in the direction of the arrow.

⑭ **Battery level indicator button []**

After this button is pressed, the remaining power level of the battery pack will be displayed for about 2 seconds in ⑩, the [REMAIN] indicator. (See page E-15)
 The [USB] indicator remains lit (green) as long as a USB 2.0 cable is connected.

⑮ **HDD capacity indicator button [HDD CAP]**

After this button is pressed, the available HDD capacity will be displayed for about 2 seconds in ⑩, the [REMAIN] indicator.
 The number in [REMAIN] represents how many cards can be copied to the HDD. (See page E-14)
 The [USB] indicator remains lit (green) as long as a USB 2.0 cable is connected.

⑯ **Battery/HDD indicator and error LEDs [REMAIN]**

Indicates the remaining battery level, available HDD capacity, and, if errors occur, error identification. (See pages E-14, E-15, E-29 to E-31)

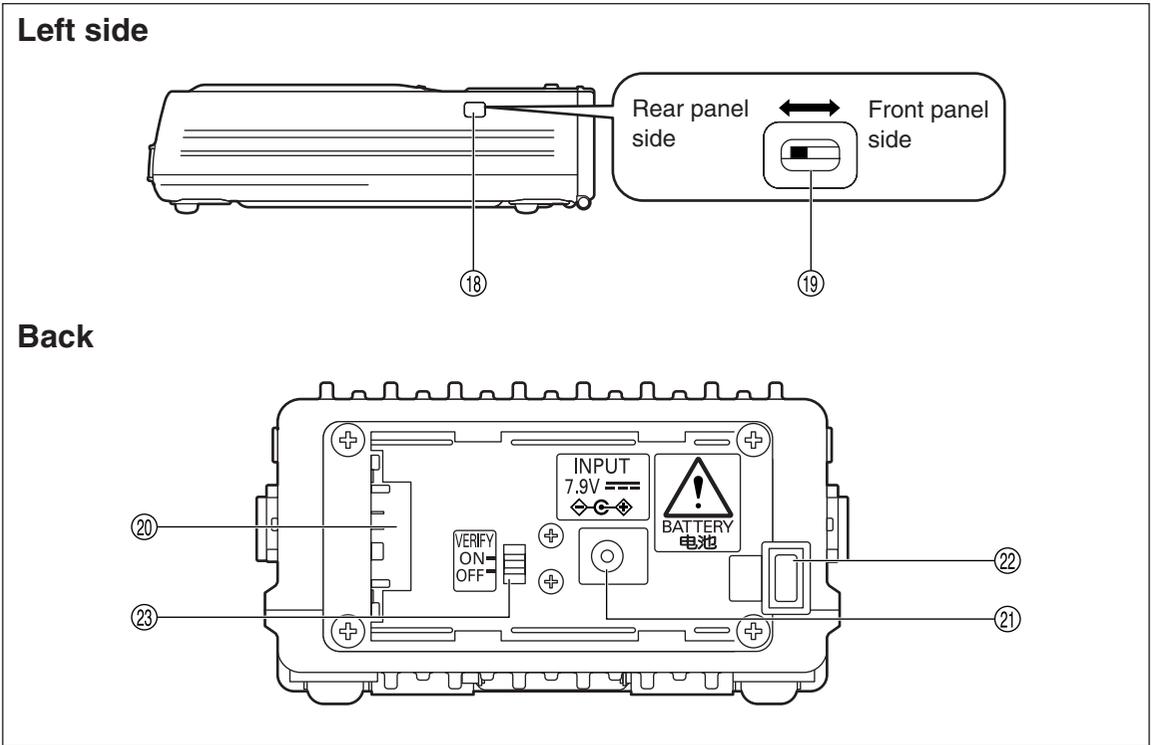
⑰ **USB 2.0 connector (Type B)**

When connecting the unit to a computer, plug the USB 2.0 cable into this connector.

Note:

Computers used with the unit must support USB 2.0.

Control reference guide (continued)



18 Sliding switch cover

19 Sliding switch

Slide toward the front to enable software updates.

Normally, keep the switch toward the back.

(See page E-28)

20 Power inlet

Insert an optional battery pack or AC adapter here.

21 DC IN socket (7.9 V)

22 Battery lock release button

When removing optional battery packs or AC adapters, hold down the button as you slide it toward the button side.

23 VERIFY switch

Use this switch to verify data after it has been copied from P2 cards onto the internal HDD. (See page E-16)

ON : Verify

OFF: Do not verify

Note:

To ensure accurate copying, slide the VERIFY switch to ON. If it is set to OFF, the unit may not be able to copy correctly in some cases. However, note that copying will take twice as long with verification (when ON) than without (when OFF).

Copying

Turning the unit ON and OFF

Use an optional battery pack or AC adapter as the power source. (See page E-7)

In either case, make sure the power source is firmly connected to the unit.

For connection instructions, refer to the user's manual of the accessory. Turn the unit ON before all operations. When finished (and when the unit is not in use), turn the unit OFF.

Power ON

To turn the unit ON, press the [POWER] button. The POWER LED flashes during startup. When the unit is ready for use, it remains lit (green).

Note:

- When a low voltage error occurs (when [ERROR] LED lights in red and [E2] in [REMAIN] flashes in red), either replace the battery pack with a recharged one or switch to the AC adapter and restart the unit.
- When the temperature of the built-in HDD falls below the specified temperature (when [ERROR] LED lights in red, and [E1] lights and [E2] flashes in red in [REMAIN]), the unit warms up to the specified temperature. During warm-up, the [START] button and other controls are temporarily disabled.
- More power is consumed during warm-up. In some cases a low-voltage error may occur afterwards, depending on the remaining level of the battery pack. If this occurs, turn the power OFF and then ON again.

Power OFF

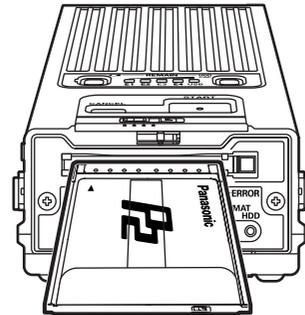
To turn the unit OFF, hold the [POWER] button for **at least 2 seconds**.

The POWER LED goes out. Note that during shutdown, this LED flashes.

Inserting P2 cards

When inserting a P2 card in the card slot, always hold the card level and insert it carefully.

Forcing cards in the slot at an angle may damage them or the unit.



Ejecting P2 cards

To eject a card, press the EJECT button once, and after the button comes out, press it again.

Do not eject P2 cards during access by the unit (when the [P2C] LED is lit). The data may be lost or the P2 card damaged.

Note:

If the unit is connected to a computer, wait until shutdown processing for the card is complete before pressing the EJECT button.

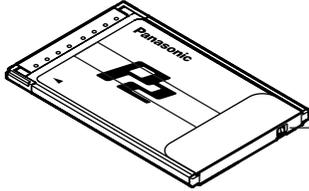
- For Windows:
 1. Go to [Start] → [My Computer]
 2. Right-click on the P2 card drive (displayed as a removable disk) and select "Eject"
 3. Press the EJECT button and remove the P2 card
- For Macintosh:

Select the P2 card volume displayed on the desktop. From the menu bar at the top of the screen, select [File] → [Eject], or otherwise drag the volume to the trash.

Copying (continued)

Write-protection on P2 cards

When P2 cards are inserted, the following operations will be prevented to protect the data, even if you adjust the write-protect switch. Thus, check the write-protect switch before inserting P2 cards.



Write-protect switch settings

PROTECT : Data cannot be written to or deleted from the card.

PROTECT : Data may be written to or deleted from the card.

HDD capacity indicator

Up to 15 P2 cards worth of data can be copied to the unit's internal HDD. (However, in the case of 8 GB P2 cards, the data on only 7 P2 cards can be copied.) To see how much space is available on the HDD (how many cards can be copied), press the [HDD CAP] button and check the [REMAIN] indicator.

See **[HDD Capacity (in Number of Cards)]**.

With the unit ON, check how many P2 cards can be copied

- When using 2 GB or 4 GB P2 cards:

Press the [HDD CAP] button once. In [REMAIN], **[E1] lights in orange for a second.** After this, the display corresponds to information given in **[HDD Capacity (in Number of Cards)]**, below.

- When using 8 GB P2 cards:

Press the [HDD CAP] button twice. In [REMAIN], **[E1] and [E2] light in orange for a second.** After this, the display corresponds to information given in **[HDD Capacity (in Number of Cards)]**, below.

[HDD Capacity (in Number of Cards)]

■ : LED lit □ : LED flashing
R : red G : green

Capacity (No. of cards that can be copied)	REMAIN				
	<input type="checkbox"/> E1	<input type="checkbox"/> E2	<input type="checkbox"/> E3	<input type="checkbox"/> E4	<input type="checkbox"/> USB
0	■ R	■ R	■ R	■ R	■ R
1	■ G				
2	■ G	■ G			
3	■ G	■ G	■ G		
4	■ G	■ G	■ G	■ G	
5 or more	■ G	■ G	■ G	■ G	■ G
Full useable (when the cards are not in use)	□ G	□ G	□ G	□ G	□ G

The [REMAIN] indicator goes out after about 2 seconds.

Copying (continued)

Battery level indicator

When using an optional battery pack, you can check the remaining level. You can see how much power is left by pressing the [] button and checking the [REMAIN] indicator. See [Battery level], below.

Copy operations are not allowed when a low-voltage error occurs (when the [ERROR] LED lights in red and [E2] in [REMAIN] flashes in red). Use the battery pack only if [E1] in [REMAIN] is lit in green.

Once the level reaches 0 (zero), an error is displayed as described in [Battery level] and the unit goes OFF immediately. Switch to another optional battery pack that is fully charged or use an optional AC adapter.

With the unit ON, press the [] button

The display will correspond to [Battery level], below.

[Battery level]

■ : LED lit □, ○ : LED flashing
R : red G : green

Battery pack level	REMAIN					○ERROR
	□ E1	□ E2	□ E3	□ E4	□ USB	
100	■ G	■ G	■ G	■ G	■ G	
	■ G	■ G	■ G	■ G		
	■ G	■ G	■ G			
	■ G	■ G				
	■ G					
	□ R					
0	□ R	□ R	□ R	□ R	□ R	○ R

The [REMAIN] indicator goes out after about 2 seconds.

Note:

With an AC adapter, in some cases the LED display may not indicate 100. This is not a problem.

Copying from P2 cards to the HDD

High-speed copying from P2 cards to the HDD is possible because data is transferred directly to the HDD.

Do not turn the unit OFF or eject P2 cards when the [P2C] or [HDD] LEDs are lit.

When using an optional battery pack, check the remaining level before copying data.

If [E1] in [REMAIN] flashes in red, switch to a fully charged optional battery or use an optional AC adapter.

1. With the unit ON, insert a P2 card in the slot

2. Press the [HDD CAP] button and make sure there is enough space to copy at least one card

If the capacity (in number of cards) is 0, copy needed data to other storage media and format the HDD. (See page E-14 and E-18)

Copying (continued)

3. Hold the [START] button for at least 2 seconds

Copying begins, and the verification¹⁾ is conducted (when the [VERIFY] switch is set to ON). The copying progress is indicated by the LEDs, as follows.

■ : LED lit ■, □, ● : LED flashing
G : green OR : orange

Progress (%)	COPY STATUS					□ P2C	HDD ○
	20 □	40 □	60 □	80 □	100% □		
00-19	■ G					During access ■ OR	During access ● OR
20-39	■ G	■ G					
40-59	■ G	■ G	■ G				
60-79	■ G	■ G	■ G	■ G			
80-99	■ G	■ G	■ G	■ G	■ G		
100	■ G	■ G	■ G	■ G	■ G		

4. Make sure all the [COPY STATUS] LEDs are lit in green

5. Press the [POWER] button

Copying is complete and the [COPY STATUS] LEDs go out.

Note:

- Once the data on a P2 card has been copied to the HDD, it cannot be copied to the HDD again. If this is the case, one of the following operations will be performed depending on the [VERIFY] switch setting.
 - [VERIFY] switch is OFF: Even when step 3 is taken, 100% is immediately displayed as the copying progress status.
 - [VERIFY] switch is ON: When step 3 has been taken, the data is not copied, 40-59% is displayed as the copying progress status, and the verification is conducted.
- Even after data on a P2 card has been edited, added or deleted by a computer or other device, it may be recognized as the same data. If this is the case, one of the following operations will be performed depending on the [VERIFY] switch setting.
 - [VERIFY] switch is OFF: Even when step 3 is taken, 100% is immediately displayed as the copying progress status.
 - [VERIFY] switch is ON: When step 3 has been taken, the data is not copied, 40-59% is displayed as the copying progress status, the verification is conducted, the data is recognized as different, and operation ends with the Verify NG error²⁾. (See page E-31)
- If the unit heats up during copying, it will automatically copy at a slower rate. The [P2C] and [HDD] LEDs also flash slowly at this time.
- If copying is not completed normally (if the unit is turned OFF or the P2 card is pulled out during copying), the HDD capacity (number of cards that can be copied) is decreased by as many P2 cards that could not be copied.
- All [COPY STATUS] LEDs flash in green if a blank P2 card is inserted and step 3 above is finished.
- In the case of P2 cards that include a Bad clip³⁾, be sure to first restore any lost data using a P2 camera-recorder or other device before copying using this unit. When a defective clip is copied without correcting its defects, it may not be possible to repair the copied defective clip.

- This function conducts the verify whether the data on P2 cards and the data recorded on the internal HDD are the same.
- When the Verify NG error has occurred, "ERROR" appears in the status column of the HDD partition information section (see page E-23). If this is the case, the data on the P2 card concerned can be copied again, but the partition with the "ERROR" status will remain unchanged.
- Improperly recorded clip due to accidental removal of the P2 card or sudden power loss during recording. Clips with a yellow [X] marker displayed on the thumbnail screen when using a P2 camera-recorder or similar device.

Copying (continued)

Canceling copy operations

You can cancel copying in progress as follows.

1. Hold the [CANCEL] button for at least 2 seconds

The [COPY STATUS], [P2C], and [HDD] LEDs change as follows.

■ : LED lit

OR : orange

COPY STATUS					P2C	HDD
20	40	60	80	100%	□	○
■ OR	■ OR	■ OR	■ OR	■ OR	—	—

2. Press the [POWER] button

Copying is canceled and the [COPY STATUS] LEDs go out.

Note:

Canceling copy automatically deletes copied data.

Formatting

Formatting P2 cards

You can delete all data on P2 cards.

Data cannot be recovered after formatting. Before formatting cards, make sure all the data may safely be deleted.

Do not turn the unit OFF or eject P2 cards when the [P2C] LED is flashing.

This may damage the P2 card.

P2 cards cannot be formatted if the write-protect switch is set to PROTECT. Additionally, when P2 cards are inserted in the slot, you cannot adjust the write-protect switch to prepare them for formatting.

1. With the unit ON, insert a P2 card in the slot

2. Hold the [P2C] button for at least 2 seconds

The [COPY STATUS], [P2C], and [HDD] LEDs change as follows.

■ : LED lit ■ : LED flashing

OR : orange

COPY STATUS					P2C	HDD
20	40	60	80	100%	□	○
■ OR	■ OR	■ OR	■ OR	■ OR	■ OR	—

3. Within 2 seconds, press the [START] button

The [COPY STATUS], [P2C], and [HDD] LEDs go out, and P2 card formatting begins. Formatting is complete when the [P2C] LED flashes in orange.

Note:

While the [COPY STATUS], [P2C], and [HDD] LEDs are on in step 2, if you do not press the [START] button **within 2 seconds** (step 3), the P2 card will not be formatted. To format the card, repeat the process from step 2.

Formatting (continued)

Formatting the HDD

You can delete all data copied onto the internal HDD.

Put the unit on a solid surface before formatting the HDD.
 Vibration or impact may damage the unit during formatting.
 Data cannot be recovered after formatting. Before formatting the HDD, make sure all the data may safely be deleted.

Do not turn the unit OFF when the [HDD] LED is lit.

1. With the unit ON, hold the [HDD] button for at least 2 seconds

The [COPY STATUS] LED, [P2C] LED, and [HDD] LED change as follows.

- : LED lit ■ : LED flashing
- OR : orange

COPY STATUS					□ P2C	HDD ○
<u>20</u>	<u>40</u>	<u>60</u>	<u>80</u>	<u>100%</u>		
■ OR	■ OR	■ OR	■ OR	■ OR	—	● OR

2. Within 2 seconds, press the [START] button

The [COPY STATUS], [P2C], and [HDD] LEDs go out, and HDD formatting begins. Formatting is complete when the [HDD] LED flashes in orange.

Note:

- While the [COPY STATUS], [P2C], and [HDD] LEDs are on in step 1, if you do not press the [START] button within 2 seconds (step 2), the internal HDD will not be formatted. To format the HDD, repeat the process from step 1.
- 15 partitions are created automatically on the internal HDD.

Auto power OFF during use

- If left unused, the unit will automatically turn OFF after ten minutes if no copying or formatting operations are in progress. To use the unit, turn it ON again.
- If the unit is left unused while connected to a computer via the USB 2.0 cable, auto power OFF is deactivated, even if no copying or formatting is in progress. To turn the unit OFF, hold the [POWER] button for at least 2 seconds.
- Note that auto power OFF is disabled while waiting for an error check after an error has occurred or when copying has ended.

Note:

You can set the time until auto power OFF on the P2Store Manager Setup page, in “Auto power off mode.”
 Options: [Never], [5 min], [10 min], [15 min], [20 min], [25 min], and [30 min]. Default: [10 min]. (See page E-26)

Connecting to a computer

Connect the unit to a computer with the USB 2.0 cable to back up data from P2 cards and the internal HDD on the computer.

■ System requirements

Your computer must meet these requirements for the P2 driver, the dedicated driver for this unit, and the dedicated software.

Operating system: Windows XP Professional SP2 or later
Windows 2000 SP4 or later
Macintosh OS X (10.4.2 or 10.4.6), running on a PowerPC-based computer

Interface: Equipped with a USB 2.0 port

Note:

This unit and the dedicated driver and software are not compatible with Intel-based Macintosh computers running Mac OS X.

■ Installation

• For Windows:

Install the P2 driver on your computer from the included CD-ROM.

The dedicated software is installed at the same time.

For installation instructions, refer to the provided installation manual.

Note:

The P2 driver is software enabling high-speed access of the P2 card via a USB 2.0 cable.

• For Macintosh:

Follow these steps to install the dedicated driver and software applications.

1. Insert the included CD-ROM in your computer
2. Double-click the Macintosh folder in the CD-ROM
3. Copy the AJ-PCS060G folder to a location such as the desktop using drag and drop
4. Double-click the "P2StoreDriver.dmg" disk image module in the AJ-PCS060G folder
5. Double-click "P2StoreDriver.pkg"

The installation screen will now appear. Follow the instructions on the screen to complete the installation.

Note:

If the dedicated driver is not installed, you cannot access the internal HDD from your computer.

■ Uninstallation

• For Windows:

For uninstallation instructions, refer to the provided installation manual.

• For Macintosh:

To uninstall the P2 driver and dedicated software, drag the AJ-PCS060G folder from where it is installed on the computer directly to the trash and empty the trash.

Connecting to a computer (continued)

■ Connection

1. Start the computer

2. Use the USB 2.0 cable to connect the unit to the computer

3. Turn the unit ON by pressing the [POWER] button

On the unit, the POWER LED lights in green. The connection is automatically detected.

Note:

- Use a commercially available USB 2.0 cable. Use a cable shorter than 3 m (9.8 feet). The connection will not work correctly if the cable is longer than 3 m (9.8 feet).
- Do not connect more than one unit to the computer at once.
- Data cannot be written to the unit from a computer.
- Do not eject the P2 card or unplug the USB 2.0 cable during access of the P2 card or internal HDD. This may cause problems on the computer.
- Before ejecting P2 cards while the unit is connected to a computer, refer to the notes in “Ejecting P2 cards” on page E-13.

For Windows:

- When you connect the unit to a computer with the USB 2.0 cable, up to 16 partitions are added to the computer (15 partitions for the internal HDD and 1 partition for the P2 card). (This applies when mounting on drive letters.)
- In some cases, these partitions may be the same as for existing drives on the network. When partitions cannot be seen due to duplication with existing drives, use the P2Store Manager to mount these partitions on folders. Refer to ⑤ Drive mount setting button of page E-24.
- Partitions not used in the operation described in “Copying from P2 cards to the HDD” on page E-15 cannot be accessed from the computer. Refer to the HDD page (described on page E-23) to confirm which drive letters or specified folders have been assigned.

For Macintosh:

- Each partition is displayed as a folder on the desktop.
- If the number of copied partitions does not match the number of folders on the desktop, a connection error has occurred. Restart the computer and check again.

■ Removal

1. Disconnect the USB connection as follows

- For Windows XP Professional:
Double-click on the “Safely Remove Hardware” icon in the task tray. Follow the instructions on screen to stop the “Panasonic P2 series USB Devices.”
- For Windows 2000:
Double-click on the “Unplug or Eject Hardware” icon in the task tray. Follow the instructions on screen to stop the “Panasonic P2 series USB Devices.”
- For Macintosh:
Select all folders displayed when the unit is connected. From the menu bar at the top of the screen, select [File] → [Eject], or otherwise drag them to the trash.

2. Turn the unit OFF by holding the [POWER] button for at least 2 seconds

The POWER LED goes out.

3. Unplug the USB 2.0 cable

Connecting to a computer (continued)

■ Backing up data

To protect valuable data stored on the internal HDD, we recommend making a backup copy on your computer or another storage device.

Always check the free space on your computer's hard disk before backing up data.

For Windows:

- **Using Windows Explorer:**
Select top-level folders and files of each partition on the unit and copy them to your preferred folders on the computer. Execute the same procedure on all partitions of the unit.
- **Using the "P2 Viewer":**
Select needed clips and copy them to your preferred target folder on the computer, where you have set up the virtual drive. See the software manual for further instructions.

For Macintosh:

- **Using Finder:**
Double-click folders displayed on the desktop (which represent each of the partitions on the unit) to open them. Select top-level folders and files and copy them to your preferred folders on the computer. Copy all the contents of other partitions on the unit the same way.

Overview of dedicated software

Using the dedicated software applications, you can display the status of the AJ-PCS060G, operate it, and perform routine inspection of the internal HDD.

■ Features

1. P2Store Manager

- **HDD status display**
You can check the unit's HDD partition information, self-diagnostic information, and more.
- **AJ-PCS060G setup**
You can customize operating parameters for the unit, including enabling or disabling auto power OFF.
- **AJ-PCS060G software updates**
You can download software from the Panasonic website to keep the unit up to date.

2. HDD Maintenance

- **Routine inspection of the internal HDD**
The software gives you full access to the internal HDD of the AJ-PCS060G, enabling you to check the status of the unit.
Refer to "Recommended daily checks and regular maintenance" (included).

Starting and closing P2Store Manager

1. Use the USB 2.0 cable to connect the unit to the computer

2. Turn the unit ON by pressing the [POWER] button

On the unit, the POWER LED lights in green, and the connection is automatically detected.

3. Start P2Store Manager

Windows XP Professional:

Go to [Start] → [All Programs] → [Panasonic P2] → [P2 Store Manager].

Windows 2000:

Go to [Start] → [Programs] → [Panasonic P2] → [P2 Store Manager].

For Macintosh:

Double-click the icon for this application in the AJ-PCS060G folder.

4. Make sure the indicator in the lower-left corner of the P2Store Manager screen displays “State: Connecting.”

You can now display the unit’s status and manage it. (See page E-23)

5. Exit P2Store Manager

For Windows:

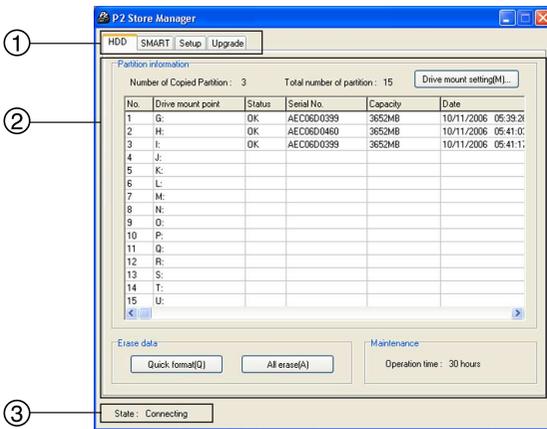
Click the Close box ( button) in the upper-right corner.

For Macintosh:

In the menu bar at the top of the screen, click [P2StoreManager] → [Quit P2StoreManager].

P2Store Manager screens

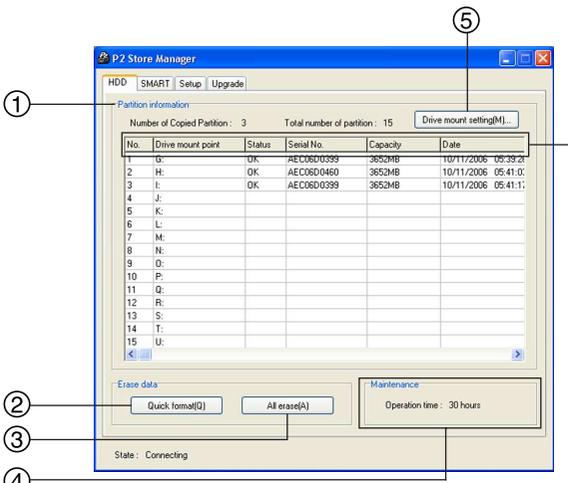
Overview of screens



- ① **Page tabs**
Click the tabs to access different pages.
- ② **Page display area**
Displays sections with various information about the unit and buttons for operations.
- ③ **State display area**
Displays “State: Connecting” when the unit is connected to the computer, otherwise, “State: Disconnected.”

HDD page

This page allows confirmation of the partition information of the internal HDD of the unit and the setting of the format and mounting method. (The mounting method setting is a function only for Windows.)



- ⑤ **Drive mount setting button**
Clicks to open the drive mount setting dialog.
- ① **Partition information section**
Displays the partition status.
“OK”: Normal
“ERROR”: Trouble occurred at some point during the copying or verification process.
- ② **Serial No.**
Displays the source P2 card serial number.
- ③ **Capacity**
Displays the source P2 card capacity (in MB).
- ④ **Date**
Displays the date of copying.

① **Partition information section**
Displays partition information for data copied from P2 cards.

a	b	c	d	e	f
No.	Drive mount point	Status	Serial No.	Capacity	Date

- a No.
Displays the partition number.
- b Drive mount point
Displays the assigned drive letter or specified folder name.

- ② **Quick format button**
For quick formatting of the internal HDD, do the following.
 1. Click the [Quick format] button
A confirmation dialog is displayed, prompting you for approval for formatting.
 2. Click [Yes] to execute quick formatting ^{1), 2)}

- ③ **All erase button**
For writing zeros to all sectors of the internal HDD.
If you are using a battery to power the unit, switch to an AC adapter before this procedure.
 1. Click the [All erase] button
A confirmation dialog is displayed, prompting you for approval for erasing, after which another dialog confirms the AC adapter connection.
 2. Click [Yes]
Zeros are written to all sectors. ^{1) - 3)}

P2Store Manager screens (continued)

④ Maintenance section

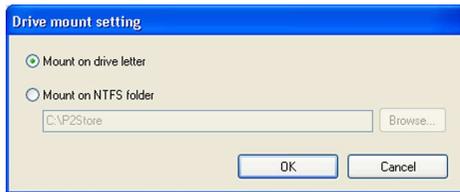
Displays the total time that the internal HDD has been in use.

⑤ Drive mount setting button

(only for Windows)

You can select mounting on a drive letter or specified folder.

When the [Drive mount setting] button is clicked, the following screen is displayed.



•When mounting on a drive letter:

1. Select [Mount on drive letter].
2. Click the [OK] button.
3. Restart the unit according to the instructions on the screen.

•When mounting on a specified folder ⁴⁾–¹²⁾:

1. Select [Mount on NTFS folder].
When modifying the drive mount point folder, click the [Browse] button and specify the mount point.
2. Click the [OK] button.
3. Restart the unit according to the instructions on the screen.

Note:

- 1) If you format the HDD using Macintosh software, always confirm that all data has been erased after formatting by unplugging and plugging in the USB 2.0 cable and checking.
- 2) Before using [Quick format] and [All erase], put the unit on a stable surface.
Vibration or impact may damage the unit during formatting.
Using [Quick format] or [All erase] will delete all data on the internal HDD.
If data you need is stored on it, back up the data to separate storage media before formatting.
- 3) It takes about 45 minutes to write zeros to all sectors. Always do this with an AC adapter connected.

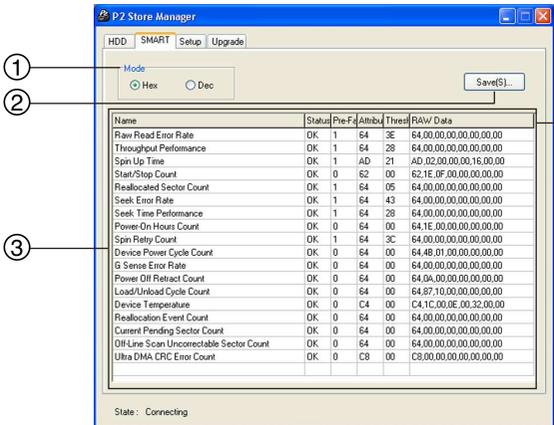
- 4) When [Mount on NTFS folder] is selected, each partition of the internal HDD of the unit is sequentially mounted on the subfolders “pa01” through “pa15.” If the subfolders “pa01” through “pa15” don’t exist under the specified folder, these subfolders are automatically created.
- 5) The specified NTFS folder cannot be mounted for the following cases.
 - When the subfolders “pa01” through “pa15” are not empty.
 - When the file system is not NTFS.
- 6) After executing [Mount on NTFS folder], the partitions of the internal HDD of the unit are sometimes not sequentially mounted on the subfolders “pa01” through “pa15” when the internal HDD of the unit is formatted or when a P2 card that is 8 GB or more is copied to the unit. When the unit and the computer are going to be connected, we recommend that you perform mounting.
- 7) If the number of the partitions is less than 15, when the internal HDD of the unit is formatted and reconnected after mounting is performed, a confirmation dialog is displayed. Follow the instructions on the screen.
- 8) When the input folder name does not exist, a confirmation dialog is displayed. Click [Yes] after confirming this input folder name.
- 9) If the subfolders “pa01” through “pa15” are accessed after mounting when the unit and the computer are not connected, a confirmation dialog may be displayed.
- 10) When disconnecting the unit from the computer after executing [Mount on NTFS folder], only one drive letter that was assigned on the P2 card is displayed.
- 11) The icon display for subfolders “pa01” through “pa15” may be different after executing [Mount on NTFS folder]. However, data accesses will be performed without problems.
- 12) When copying the data in subfolders “pa01” through “pa15” after executing [Mount on NTFS folder], perform a “copy” rather than a “move.”

P2Store Manager screens (continued)

S.M.A.R.T page

Hard disks are relatively fragile devices. Before using the unit's HDD, check the S.M.A.R.T information. (S.M.A.R.T: Self-Monitoring, Analysis and Reporting Technology) If an error is displayed, contact the place of purchase.

Check self-diagnostic information for the unit's internal HDD on this page.



- ① **Mode section**
Self-diagnostic information includes a list of numbers. Choose the format from these options.
For hexadecimal display: Choose [Hex]
For decimal display: Choose [Dec]
- ② **Save button**
Self-diagnostic information can be saved as follows.
 1. Click the [Save] button
The [Save As] dialog is displayed.
 2. Enter a file name and click the [Save] button
The self-diagnostic information is saved as a text file.

③ Self-diagnostic information section

Displays self-diagnostic information as follows.

Name	Status	Pre-F	Attrb	Thresh	RAW Data
Raw Read Error Rate	OK	1	64	3E	64,00,00,00,00,00,00,00
Throughput Performance	OK	1	64	28	64,00,00,00,00,00,00,00
Spin Up Time	OK	1	AD	21	AD,02,00,00,00,16,00,00
Start/Stop Count	OK	0	62	00	62,1E,0F,00,00,00,00,00
Reallocated Sector Count	OK	1	64	05	64,00,00,00,00,00,00,00
Seek Error Rate	OK	1	64	43	64,00,00,00,00,00,00,00
Seek Time Performance	OK	1	64	28	64,00,00,00,00,00,00,00
Power-On Hours Count	OK	0	64	00	64,1E,00,00,00,00,00,00
Spin Retry Count	OK	1	64	3C	64,00,00,00,00,00,00,00
Device Power Cycle Count	OK	0	64	00	64,4B,01,00,00,00,00,00
5 Sense Error Fails	OK	0	64	00	64,00,00,00,00,00,00,00
Power Off Retract Count	OK	0	64	00	64,0A,00,00,00,00,00,00
Load/Unload Cycle Count	OK	0	64	00	64,87,10,00,00,00,00,00
Device Temperature	OK	0	C4	00	C4,1C,00,0E,00,32,00,00
Reallocation Event Count	OK	0	64	00	64,00,00,00,00,00,00,00
Current Pending Sector Count	OK	0	64	00	64,00,00,00,00,00,00,00
Off-Line Scan Unrecoverable Sector Count	OK	0	64	00	64,00,00,00,00,00,00,00
Ultra DMA CRC Error Count	OK	0	C8	00	C8,00,00,00,00,00,00,00

- a** Name
Identifies the displayed item.
- b** Status
Gives diagnostic results.
OK: No errors
NG: Errors
- c** Pre-Failure / Advisory
Rates the severity of internal HDD errors as "1" or "0."
"1": Serious
"0": Not serious

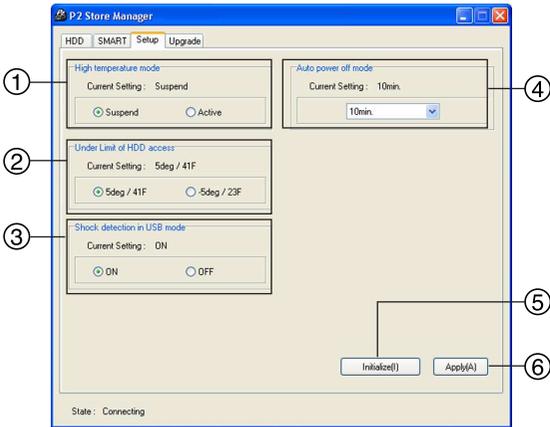
If the diagnostic results **b** are "NG" for a serious error ("1" in [Pre-Failure / Advisory]), a critical error has occurred on the internal HDD. Contact the place of purchase as soon as possible.

- d** Attribute
Displays a value representing the item status.
- e** Threshold
Displays a reference value used in determining if the item is "OK" or "NG."
If the status value of **d** is lower than the value in this section, an "NG" judgment is made.
- f** RAW Data
Displays status details for the item.

P2Store Manager screens (continued)

Setup page

For checking and changing the unit's operating parameters.



① High temperature mode section

You can specify whether HDD operation is suspended or remains active if the internal HDD temperature exceeds a prescribed level. Options: [Suspend] and [Active]. Default: [Suspend].

The unit's current setting is displayed in the "Current Setting" section.

If you change it, afterward click the [Apply] button ⑥.

Note:

Setting to [Active] may result in failure of the HDD.

Use this setting at your own risk.

② Under Limit of HDD access section

You can specify the minimum ambient temperature at which HDD operation is permitted.

Options: [5 deg / 41 F] and [-5 deg / 23 F].

Default: [5 deg / 41 F].

The unit's current setting is displayed in the "Current Setting" section. If you change it, afterward click the [Apply] button ⑥.

Note:

Setting to [-5 deg / 23 F] may result in failure of the HDD.

Use this setting at your own risk.

③ Shock detection in USB mode section

Use [ON] and [OFF] to enable or disable impact detection when the unit is connected to a computer via the USB 2.0 cable.

[ON] (default):

Data transfer with the computer is suspended if the unit is hit.

[OFF]:

Data transfer is maintained even if the unit is hit.

The unit's current setting is displayed in the "Current Setting" section.

If you change it, afterward click the [Apply] button ⑥.

Note:

The possibility of HDD failure is higher with the [OFF] setting than with the [ON] setting.

Use this setting at your own risk.

④ Auto power off mode section

You can specify the time until the unit switches OFF automatically if left unused (when no copying or formatting is in progress).

Options: [Never], [5 min], [10 min], [15 min], [20 min], [25 min], and [30 min].

Default: [10 min].

The unit's current setting is displayed in the "Current Setting" section.

If you change it, afterward click the [Apply] button ⑥. Note that auto power OFF is disabled when the unit is connected to a computer.

⑤ Initialize button

You can restore the default settings in sections ①, ②, ③ and ④. However, note that the setup details are not applied automatically.

If you change them, click the [Apply] button ⑥.

⑥ Apply button

You can save the setup details in sections ①, ②, ③ and ④ on the unit as follows.

1. Click the [Apply] button

A confirmation dialog is displayed.

2. Click [Yes]

The setup details are saved on the unit.

3. Restart the unit.

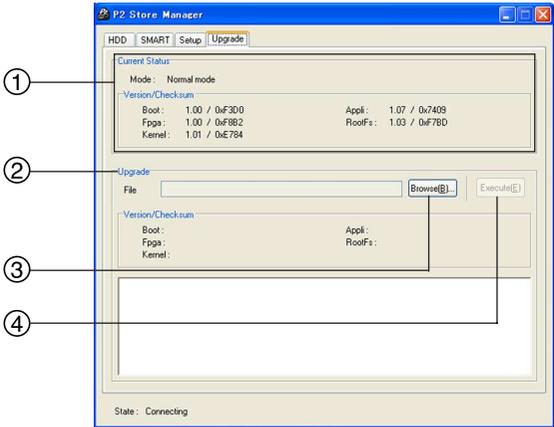
Note:

The new setup takes effect after the unit is restarted.

P2Store Manager screens (continued)

Upgrade page

For keeping the unit's software updated.



- ① **Current Status section**
Displays the current mode (Normal mode or Software upgrade mode) and the version and checksum of the software used.

- ② **Upgrade section**
You can keep the unit up to date by downloading and installing the latest software for it.
- ③ **Browse button**
Click the [Browse] button to select the downloaded software for the unit. The “Version/Checksum” section displays the version and checksum of the software after updating.
- ④ **Execute button**
For executing the command to update the software.
Note that it takes several minutes to complete this process.

Note:
During this process, never turn the unit OFF or unplug the USB 2.0 cable. This may damage the unit. Additionally, put the unit on a stable surface beforehand.

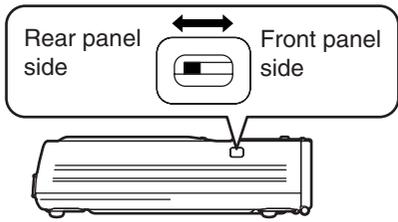
P2Store Manager screens (continued)

Updating procedure

1. Follow the on-screen instructions on the support site given below to download the unit's software data and expand the file data to a folder of your choice.

For Japanese
<http://panasonic.biz/sav/>
For English
<https://eww.pavc.panasonic.co.jp/pro-av/>

2. Turn the unit OFF
 In the State display area, "State: Disconnected" is displayed.
3. Remove the sliding switch cover on the side of the unit and slide the switch toward the front, as shown below.



4. Turn the unit ON
 In the State display area, "State: Connecting" is displayed.
5. In the "Current Status" section, make sure "Mode: Software upgrade mode" is displayed
 If "Mode: Normal Mode" is displayed, reconfirm that the sliding switch is toward the front, as directed in step 3.
 During updating, the LED display is as follows.
 ■ : LED lit □, ● : LED flashing
 G : Green OR : Orange

COPY STATUS					□ P2C	HDD ○
20	40	60	80	100%		
■ G	■ G	■ G	■ G	■ G	□ OR	● OR

6. Click the [Browse] button
 The [Open] dialog is displayed.
7. Select the software data for the unit as downloaded in step 1
 The "Version/Checksum" section displays the version and checksum of the software after updating.
 If the information in both "Version/Checksum" sections matches, there is no need to update.
 Go to step 11.

8. Click the [Execute] button
 A confirmation dialog is displayed.
9. Click the [Yes] button
 The latest software will be installed, which takes several minutes.
 During this process, never unplug the USB 2.0 cable or turn the unit or computer OFF.
10. After checking the update message, click the [OK] button.
 The unit will be automatically deactivated. In Windows 2000, a warning is displayed regarding ejection, but there is no problem. Click the [OK] button.
11. On the side of the unit, set the sliding switch toward the back and attaching the sliding switch cover.
12. Turn the unit ON
 In the State display area, "State: Connecting" is displayed.
13. Confirm that the "Current Status" section displays "Mode: Normal Mode"
14. Confirm that the information in both "Version/Checksum" sections matches
 If they do not, repeat this process from step 2.

Note:
 Visit the following website for the latest news regarding operational verification of the AJ-PCS060G, including verified P2 cards.

For Japanese
<http://panasonic.biz/sav/>
For English
<https://eww.pavc.panasonic.co.jp/pro-av/>

ERROR LED display

Errors that may affect the unit are indicated as follows. Investigate the status and take these corrective actions.

●, ■, ▬ : LED lit ○, □, ▭ : LED flashing
 R : red OR : orange

No.	○ ERROR	REMAIN				Status	Corrective Action
		□ E1	□ E2	□ E3	□ E4		
1	● R	■ R				The internal HDD temperature is out of operating range.	Turn the unit OFF and allow it to cool down before use.
2	● R	■ R	▭ R				The unit is warming up when [E2] flashes. Go to a warmer area.
3	● R		▭ R			The battery is low.	Recharge the battery pack.
4	○ R	▭ R	▭ R	▭ R	▭ R	The voltage is abnormally low.	Recharge the battery pack. (Under these conditions, the unit immediately shuts off.)
5	● R			■ R	▭ R	At the start of copying, there is not enough HDD space.	After clearing the error display ¹⁾ , format the internal HDD. If it contains data you need, back up the data on a different storage media before formatting.
6	● R		▭ R	■ R		At the start of copying, a P2 card is not inserted.	After clearing the error display ¹⁾ , insert the P2 card, and copy.
7	● R			▭ R	■ R	At the start of copying, a vibration occurred.	After clearing the error display ¹⁾ , place the unit on a stable surface. After the vibration has stopped, you can resume use.
8	● R			■ R	■ R	At the start of copying, an error other than insufficient HDD space, a missing P2 card, vibration, and the like has occurred.	After clearing the error display ¹⁾ , try copying the data again. If the error recurs, switch P2 cards and try copying again. If the error persists even after this, contact the place of purchase.
9						During copying, an error has occurred. (Other than if the P2 card has been pulled out)	
10	● R			▭ R		A formatting error has occurred with the P2 card. (Write-protected)	
11						There is a clip that needs to be restored on the P2 card.	After clearing the error display ¹⁾ , restore a clip using a P2 camera-recorder or other device before use.
12	● R			■ R		The data format isn't standard.	After clearing the error display ¹⁾ , try formatting the card again. If the error persists even after this, contact the place of purchase.
13						An unusable P2 card has been inserted.	After clearing the error display ¹⁾ , you can resume use. For further details about P2 cards, contact the place of purchase.

1) To clear the error display, press the [POWER] button and [CANCEL] button together.

ERROR LED display (continued)

No.	ERROR	REMAIN				Status	Corrective Action
		E1	E2	E3	E4		
14	● R			■ R		A formatting error has occurred with the P2 card. (Other than write-protection or pulling out a P2 card)	After clearing the error display ¹⁾ , try formatting the card again. If the error recurs, switch P2 cards and try formatting again. If the error persists even after this, contact the place of purchase.
15	● R		■ R	■ R		A [Quick format] error has occurred on the internal HDD.	There may be a problem with the internal HDD. Contact the place of purchase.
16	● R			■ R	■ R	An [All erase] error has occurred on the internal HDD.	
17	● R		■ R	■ R		A S.M.A.R.T error has occurred on the internal HDD.	There may be a problem with the internal HDD. If it contains data you need, first clear the error display ¹⁾ , and then back up the data on a different storage media, and contact the place of purchase.
18	● R				■ R	Copying failed, after which the unit was turned ON and the error occurred.	After clearing the error display ¹⁾ , try copying the data again.
19	● R				■ R	[Quick format] failed, after which the unit was turned ON and the error occurred.	Execute [Quick format] again.
20	● R				■ R OR	[All erase] failed, after which the unit was turned ON and the error occurred.	Execute [All erase] again.
21	● R	■ R	■ R	■ R	■ R	After an internal error occurred, copying and formatting is not possible.	There may be a problem with the unit. Contact the place of purchase.
22	● R	■ R	■ R	■ R	■ R	An error occurred during updating.	
23	● R	■ R			■ R	Corrections are not applied. The unit's internal settings cannot be adjusted, so an error occurs.	
24	● R		■ R OR			The internal lithium battery is drained.	Contact the place of purchase and replace the lithium battery. Once this error is displayed, it will continue to be displayed when the unit is turned ON until you replace the lithium battery.
25	● R	■ R	■ R	■ R	■ R	The sensor has detected impact to the HDD while writing administrative data or an HDD access error has occurred.	Turn the unit OFF and ON. After placing the unit on a stable surface, copy the data.
26	● R		■ R	■ R	■ R	An error has occurred in the control information of the internal HDD.	If the data is important, back it up on a different recording media, and proceed with [Quick format].

1) To clear the error display, press the [POWER] button and [CANCEL] button together.

ERROR LED display (continued)

No.	ERROR	REMAIN				Status	Corrective Action
		E1	E2	E3	E4		
27	● R			■ OR		A Verify NG error has occurred when the Verify function was executed independently.	After clearing the error display ¹⁾ , try copying the data again.
28	● R			■ OR		An error occurs when the Verify NG error occurred the time before, operation was terminated without checking it, and then the power is turned on.	After clearing the error display ¹⁾ , try copying the data again.
29					■ OR	The sensor has detected impact to the HDD, and an error has occurred.	After ensuring the unit is away from the source of impact keep it off for a while.

1) To clear the error display, press the [POWER] button and [CANCEL] button together.

No.	ERROR	COPY STATUS					Status	Corrective Action
		20	40	60	80	100%		
30	● R	— OR	— OR	— OR	— OR	— OR	During P2 card access, the P2 card was pulled out and an error occurred.	Turn the unit OFF and ON.

Troubleshooting

If the unit seems to be malfunctioning, try checking the following points. If the problem persists, contact the place of purchase.

Symptom	What to Check
The POWER LED does not light after the [POWER] button is pressed.	<ul style="list-style-type: none"> Is the battery pack drained? Is the AC adapter connected correctly?
Copying does not start after a P2 card is inserted and the [START] button is pressed.	<ul style="list-style-type: none"> Is there enough space for copying on the internal HDD? Is an error displayed indicating that internal HDD temperature is over or under the prescribed level?
The [REMAIN] LEDs do not light after the [REMAIN] button is pressed.	<ul style="list-style-type: none"> Is the POWER LED lit (green)?
The [REMAIN] LEDs do not light after the [HDD CAP] button is pressed.	<ul style="list-style-type: none"> Is the POWER LED lit (green)?
The unit's internal partition names are not displayed in Windows Explorer when the unit is connected to a computer with the USB 2.0 cable.	<ul style="list-style-type: none"> Is the unit processing copy or format operations? Does the computer support USB 2.0 connections? Is the operating system Windows XP SP2 or later, or Windows 2000 SP4 or later? Is the unit correctly connected to the computer? Is the network drive assigned a letter immediately after the letters of the computer's hard drive or CD-ROM drive?
P2 cards cannot be formatted.	<ul style="list-style-type: none"> Is the write-protect switch set to PROTECT? Is the P2 card inserted correctly?
The POWER LED merely flashes after the [POWER] button is pushed.	<ul style="list-style-type: none"> Are you attempting to turn the unit ON in temperatures below 5 °C (41 °F)?

Specifications

Power supply : DC 7.9 V
Current consumption : Max. 1.3 A Normal operation, 0.8 A

 indicates safety information.

Supply voltage:

Battery pack DC 7.2 V
(Option: CGR-D16, CGA-D54)
AC adapter DC 7.9 V
(Option: AG-B15)

Operating environment:

In use	Temperature	0 °C to +40 °C ¹⁾ (32 °F to 104 °F)
	Humidity	5 % RH to 85 % RH (Non-condensing)
When stored	Temperature	-20 °C to +60 °C (-4 °F to 140 °F)
	Humidity	0 % RH to 90 % RH (Non-condensing)

1) In order to protect the HDD, if the internal temperature of the HDD is outside the specified temperature range of the unit, an error is displayed and copy operations will not be allowed.

System requirements:

Verified operating systems
Windows XP Professional SP2 or later, or
Windows 2000 SP4 or later
Macintosh OS X (10.4.2 or 10.4.6), running
on a PowerPC-based computer

USB interface
USB 2.0

Note:

This unit and the dedicated driver and software are not compatible with Intel-based Macintosh computers running Mac OS X.

Hard disk capacity:

60 GB

PC card slot:

PCMCIA Type II (CardBus) × 1

Dimensions (W x H x D):

90 mm × 45 mm × 180.5 mm
(3^{17/32} inches × 1^{25/32} inches × 7^{3/32} inches)
(Excluding protrusions)

Weight:

650 g (1.43 lb)

请先阅读本节！

重要：

对拥有版权的电视节目、录像带和其他素材进行未授权的翻录可能会侵犯版权所有者的权利并违反版权法。

操作前的警告：

在任何产生强磁场的设备附近进行操作都可能引起视频和音频信号中的噪声。如果是这种情况，要有所处理，例如在操作前将磁场源移开，使其远离本机。

警告：

- 为了减少火灾或触电的危险，不要让本机受到雨淋或放置在潮湿的地方。
- 为减少火患或电击的危险，本设备应避开一切使用液体的场合，并只能存放在没有滴液或溅液危险的地方，也不要在本设备顶端放置任何液体容器。

注意事项：

为了保持良好的通风条件，请不要将本机安装或置放于书橱、壁柜或其他密封空间中。确保窗帘或其他织物不会阻碍通风条件，防止因过热而发生电击或起火。

■ 不要开启面板盖。

为了减少电击的危险，不要打开面板盖。里面没有用户能维修的部件。有关维修问题，请与合格的维修人员联系。

注意事项：

如果电池处理不当，就会有爆炸或起火的危险。

- 只能换上相同或指定类型的电池。
- 请勿拆卸电池或将其丢入火中。
- 请勿储存于 60°C 以上的高温下。
- 对可充电电池，请使用指定的充电器。
- 如果电池不是可充电类型的，请勿对其充电。

有关备份电池的注意事项

- 如果更换电池操作不正确，就有发生爆炸的危险。更换电池时请使用相同或相等的类型。
- 更换备份电池时，请咨询合格的维修人员。

注意事项：

为了减少起火或电击的危险以及烦人的干扰，请只使用推荐的附件。

 显示安全信息。

在欧盟以外其它国家的废物处置信息



此符号仅在欧盟有效。

如果要废弃此产品，请与当地机构或经销商联系，获取正确的废弃方法。

目录

开始

请先阅读本节！	C-1	获得更佳的性能	C-4
概述	C-3	AJ-PCS060G	C-4
特色功能	C-3	硬盘	C-4
随机的附件	C-3	清洁	C-5
选购件	C-3	维护	C-5
		交流电源适配器	C-5
		电池组	C-5

使用 AJ-PCS060G

控制参考指南	C-6	P2 卡上的写保护功能	C-10
前面	C-6	硬盘驱动器容量指示条	C-10
顶部	C-7	电池电量指示条	C-11
右侧	C-7	从 P2 卡复制到硬盘驱动器	C-11
左侧	C-8	取消复制操作	C-13
后面	C-8	格式化	C-13
复制	C-9	格式化 P2 卡	C-13
打开和关闭本机	C-9	格式化硬盘驱动器	C-14
插入 P2 卡	C-9	在使用过程中自动关闭电源	C-14
弹出 P2 卡	C-9		

连接到计算机上

连接到计算机上	C-15	P2存储器管理程序屏幕	C-19
专用软件简介	C-17	硬盘信息页面	C-19
启动和关闭 P2存储器管理程序	C-18	S.M.A.R.T 信息页面	C-21
		设定页面	C-22
		升级页面	C-23
		升级步骤	C-24

故障排除和参考资料

ERROR 指示灯显示	C-25	规格	C-28
故障排除	C-27		

- Microsoft 和 Microsoft 标志，以及 Windows 是 Microsoft Corporation 在美国和其他国家的注册商标或商标。
- Apple, Macintosh 以及其他相关标志是 Apple(苹果) 电脑公司在美国及其他国家的注册商标或商标。
- Intel 和 Pentium 是 Intel Corporation 在美国和其他国家的注册商标或商标。
- 本说明书中的其他产品名称和公司名称是其各自所有人的商标或注册商标。在本说明书中，商标符号™和注册商标符号® 被省略。

概述

AJ-PCS060G 是为 AJ-P2C 系列 P2 存储卡设计的、专用可移动式硬盘装置。其特色是使用 USB 2.0 (类型 B) 接口与计算机进行数据传输。

数据可以很容易地从 P2 摄像机复制到 60 GB 内置硬盘。

特色功能

- P2 卡槽
- 2.5 英寸 60 GB 内置硬盘
- 通过使用加速传感器和环绕硬盘的保护材料，增强其抗震性¹⁾
- 将 P2 卡数据直接高速复制到硬盘
- 通过 USB 2.0 电缆快速传输数据到计算机

1) 抗震性

- 如果某项磁盘操作（例如复制）正在进行中，此时传感器检测到本装置被撞击或者坠落，则硬驱磁头会自动停住以保护磁盘和数据。
- 硬盘还处于减震材料的保护之下。但是，对于可能遭受的损坏或数据丢失不能进行担保。

随机的附件

- 安装手册.....1
- 铁氧体磁心.....1
- 只读光盘
[包含 P2 驱动程序、P2 卡管理器、安装手册以及操作手册（本说明书）].....1

选购件

- 电池组
CGR-D16S (1600 mAh)
CGP-D28S (2800 mAh)
CGA-D54S (5400 mAh)
- 交流电源适配器
AG-B15

获得更佳的性能

AJ-PCS060G

本机的内置硬盘处于减震材料的保护之下，在面临撞击或坠落时能够更好的保护硬盘和数据。但是，请您理解的是，对于可能遭受的损坏或数据丢失不能进行担保。

作为选购件，请使用推荐的电池组和交流电源适配器。

硬盘

本机内含硬盘驱动器（“HDD”）。

在设置和使用的过程中，请遵照下面的注意事项，以便保护硬盘驱动器和存储在上面的数据，防止造成数据丢失或操作中断。

- 在使用过程中，不要让本机受到震动或撞击。（否则，硬盘驱动器可能会损坏。）
- 不要在能够受到震动的地方使用本机，也不要将其放在不稳定的地方上。
- 不要在没有空气流通的封闭区域内使用本机，在这种地方操作产生的热量不能散热。
- 不要将本机放置在温度变化极大的地方。
→在温度突然变化的地方使用本机的话，可能会产生结露。在本机内部产生结露时使用可能会损坏硬盘驱动器。请在温度稳定的房间里使用，每小时温度的改变应该小于 20 °C。
- 不要在极为潮湿的地方使用本机。
- 在电源打开时，不要卸下电池组或拔除交流电源适配器。
- 在将本机转移到别的地方之前，请总是先按住 [POWER] 键至少两秒钟以关闭电源，然后等待其完成关机过程。
请等待直到其完全停止移动（大约两分钟），在运输过程中使其避免受到震动和撞击。（在电源关闭后，由于惯性，硬盘驱动器还会转一会儿。）
- 不要在海拔低于 -90 米或者高于 3000 米的地方使用本机。

硬盘驱动器是高度精密的装置。某些操作条件可能会引起部分损坏的风险，在最坏的情况下，会有数据不能读写的严重风险。因此，请不要认为内置硬盘驱动器是数据的永久存储媒体。请将其作为暂时性存储装置使用，直到您能够使用其它存储媒体备份数据。

■ 记录的数据

如果硬盘驱动器损坏，在上面记录的数据将会丢失。请一直使用另一个存储媒体对重要的数据进行备份。有关备份数据的说明，请参阅第 C-17 页。

请注意对于硬盘驱动器故障或其它问题造成的数据丢失，或者其他直接或间接的损失，松下不负任何责任。

■ 在丢弃或转移本机之前删除硬盘驱动器上的数据

在您丢弃或转移本机之前，我们强烈建议您负责任地删除硬盘驱动器上的任何重要数据。这样做可以避免泄密导致的问题。

在丢弃硬盘驱动器之前，将其带到强磁体的旁边来清除硬盘驱动器上的数据，使用锤子或其他方法将其击碎使其无法读取。

获得更佳的性能（续）

清洁

绝对禁止使用诸如挥发油、稀释剂或酒精的溶剂来清洁本机。

- 在进行清洁之前，请卸下电池组或者拔除交流电源适配器。
- 使用溶剂清洁本机可能会损伤外壳或者导致外漆脱落。
- 使用一块干净的软干布来擦拭灰尘。如果本机变得很脏，就使用软布在稀释的中性清洁剂中弄湿，充分拧干后进行擦拭。之后请使用干布进行擦干。
- 如果您使用化学处理过的除尘布，使用时请遵照使用注意事项。

维护

本机的内置硬盘驱动器（HDD）是需要保养的高性能部件。

为了使本机保持在最佳状态，我们建议您对其要经常检查，并且将其带至经销商处进行定期维护。有关本机定期维护的进一步详细信息，请咨询经销商。

需要按照这个标准进行定期维护。有关查看操作时间的说明，请参阅第 C-20 页。

每使用 2000 小时

提示：

- 在有些情况下，硬盘驱动器上的内容在维护过程中被清除，这样会丢失所有数据。在进行维护之前，请一定使用另一个存储媒体备份需要的数据。请理解这一点，您不会因为丢失数据而受到赔偿。
- 在硬盘驱动器出现故障时，您不会因为硬盘驱动器上的数据损失而受到赔偿。丢失的数据不能够恢复。硬盘驱动器是暂时性的数据存储媒体，并且我们建议您迅速备份需要的数据。

交流电源适配器

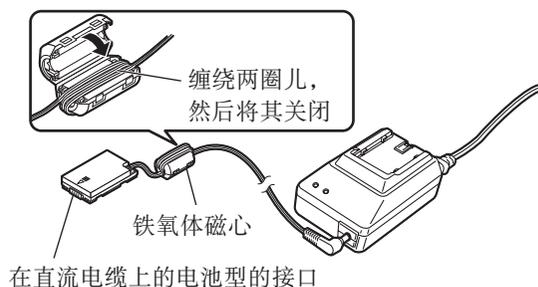
使用选购的交流电源适配器（AG-B15）。

在使用之前，请仔细阅读所有附件的使用说明书。

注意：

当使用交流电源适配器时，在靠近连接到本机上直流导线上的电池型的接口底部的地方，安装附赠的铁氧体磁心。在安装时，请一定将直流导线缠绕铁氧体磁心两圈儿，如图所示。

如果您不使用铁氧体磁心，其他设备可能会受到本机的影响。

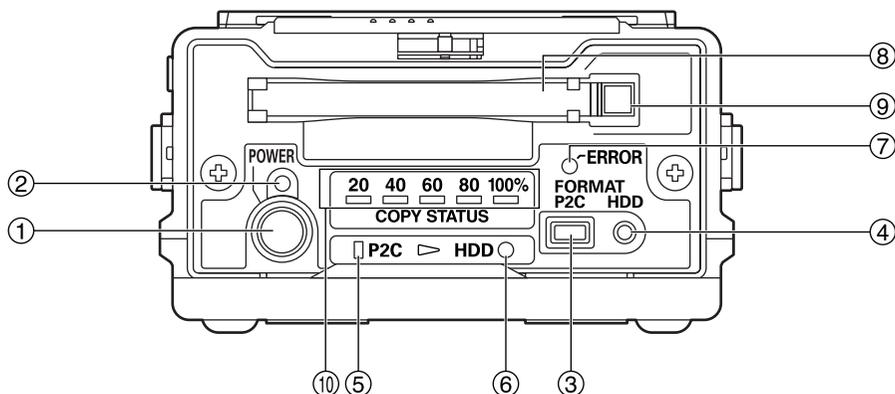


电池组

使用选购的电池组。

在使用之前，请仔细阅读所有附件的使用说明书。

前面



① [POWER] 键

使用本开关来打开和关闭本机电源。

当本机电源处于关闭状态时，只需简单按下 [POWER] 键就可以打开电源。当电源处于开启状态时，请按住 [POWER] 键两秒钟以上来关闭电源。

② 电源指示灯

当本机电源打开时亮起。

在启动或关闭的过程中，电源指示灯闪烁。

③ P2C 键

按下来格式化 P2 卡。在将数据复制到硬盘驱动器之后，您可以根据需要格式化 P2 卡。

(参阅第 C-13 页)

注意：

在格式化之后，数据不能够被恢复。

在格式化卡之前，请确保所有数据都可以删除。

④ HDD 键

按下来格式化内置硬盘驱动器。硬盘驱动器上所有不需要的数据一次都可以删除。

(参阅第 C-14 页)

注意：

在格式化之后，数据不能够被恢复。

在格式化硬盘驱动器之前，请确保所有数据都可以删除。

⑤ P2C 指示灯

当本机存取 P2 卡时亮起或闪烁。

(参阅第 C-12、C-13 和 C-24 页)

⑥ HDD 指示灯

当本机存取内置硬盘驱动器时亮起或闪烁。

(参阅第 C-12、C-14 和 C-24 页)

⑦ ERROR 指示灯

发生错误时亮起或闪烁。

通过前面的 [COPY STATUS] 指示灯、顶部的 [E1] 到 [E4] 指示灯、[P2C] 指示灯和 [HDD] 指示灯的混合亮起状态，可以识别错误类型。

(参阅第 C-11、C-25 至 C-27 页)

⑧ P2 卡槽

P2 卡专用卡槽。在插入 P2 卡之前，请确保弹出键 ⑨ 没有处于凸出状态。

在插入 P2 卡时，请水平拿住卡。

除了 P2 卡之外，绝对禁止将任何其他的东西插入槽内。

⑨ 弹出键

按下将 P2 卡从卡槽内弹出。

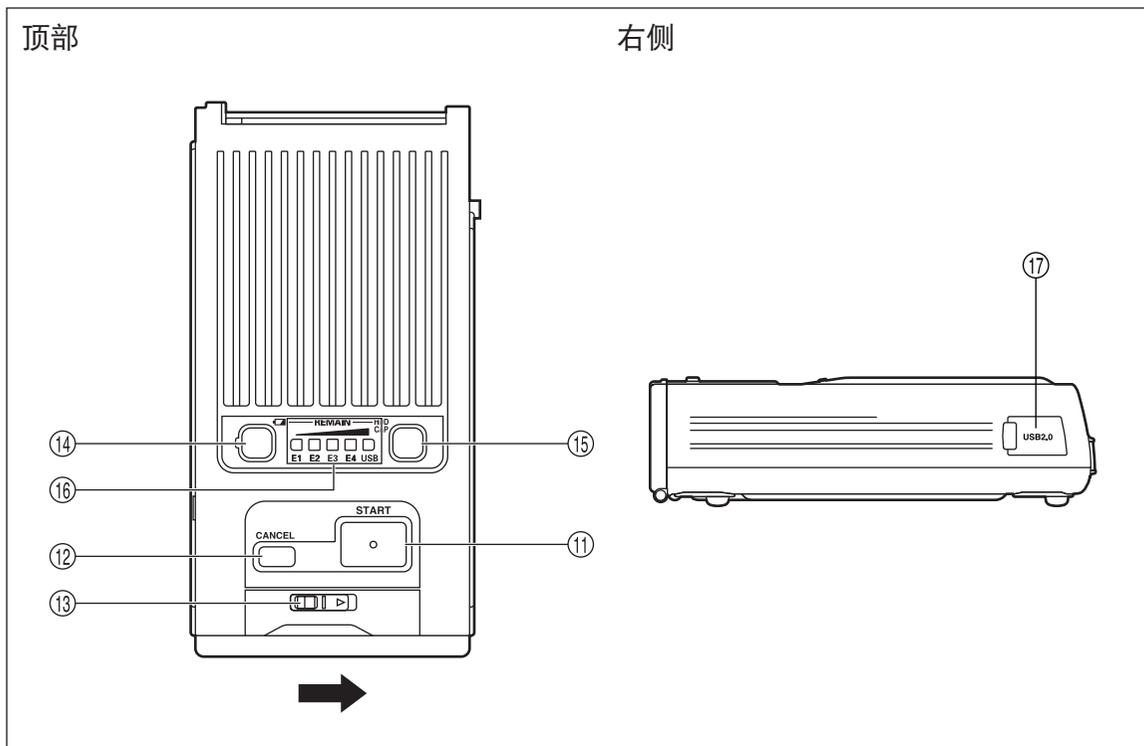
(参阅第 C-9 页)

⑩ COPY STATUS 指示灯

显示复制或格式化的进展状态。

(参阅第 C-12、C-13、C-14、C-24 和 C-27 页)

控制参考指南（续）



⑪ START 键

按下来开始复制或格式化。

按住 [START] 键两秒钟以上来开始复制或格式化。

⑫ CANCEL 键

按下来取消复制。

在复制的过程中，按住 [CANCEL] 键两秒钟以上来取消复制。

⑬ 滑钮

如果要打开前面板盖，就按照箭头方向滑动此滑钮。

⑭ 电池电量指示键 []

在按下此键后，在 [REMAIN] 指示条 ⑯ 中将会显示电池组的剩余电量大约两秒钟。

（参阅第 C-11 页）

只要 USB 2.0 电缆处于连通状态，[USB] 指示灯就会保持亮起（绿色）。

⑮ 硬盘驱动器容量指示键 [HDD CAP]

在按下此键后，在 [REMAIN] 指示条 ⑯ 中将会显示硬盘驱动器的剩余使用空间大约两秒钟。

[REMAIN] 中的数字（E1、E2 等）代表有多少张卡可以被复制到硬盘驱动器上。

（参阅第 C-10 页）

只要 USB 2.0 电缆处于连通状态，[USB] 指示灯就会保持亮起（绿色）。

⑯ 电池 / 硬盘驱动器状态指示条和错误指示灯 [REMAIN]

显示剩余电池电量、硬盘驱动器的剩余使用空间，以及在发生错误时的错误识别指示。

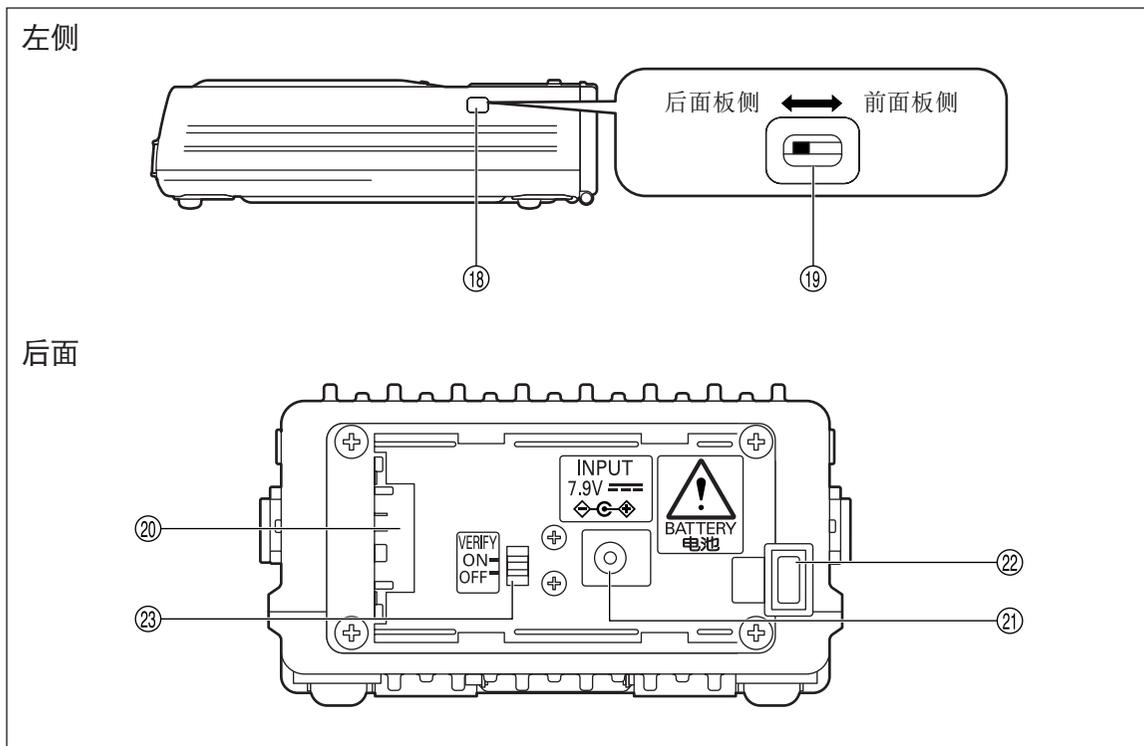
（参阅第 C-10、C-11、C-25 至 C-27 页）

⑰ USB 2.0 接口（类型 B）

当将本机连接到计算机上时，将 USB 2.0 电缆插入此接口。

注意：

与本机一起使用的计算机必须支持 USB 2.0。



⑱ 滑动开关盖

⑲ 滑动开关

滑向前方可以启用软件更新功能。
正常来讲，将此开关保持在后方。
(参阅第 C-24 页)

⑳ 电源入口

在此插入选购的电池组或交流电源适配器。

㉑ DC IN 插座 (7.9 V)

㉒ 电池锁定解锁键

当移除选购的电池组或交流电源适配器时，在您将其滑向此键一侧的同时，按住此键。

㉓ VERIFY 开关

当将数据从 P2 卡复制到内置硬盘驱动器上时，用此开关来验证数据。(参阅 C-12 页)

ON: 验证是否一致

OFF: 不要验证

注意:

为了保证准确的复制，将 VERIFY 开关滑动到 ON。如果将其设定到 OFF，在有些情况下，本机可能不能正确复制。但是，请注意复制时进行验证的话（当开关处于 ON 状态时），花费的时间相当于不要验证（当开关处于 OFF 状态时）进行复制所花费时间的双倍。

复制

打开和关闭本机

使用选购的电池组或交流电源适配器作为电源。(参阅第 C-3 页)

不论是使用电池组还是交流电源适配器，请确保电源牢固地连接到本装置上。

有关连接说明的信息，请参阅附件的使用说明书。在进行所有操作之前，打开本机的电源。当操作结束后（以及不使用本机时），关闭本机的电源。

打开电源

如果要打开电源，就按下 [POWER] 键。在启动的过程中，电源指示灯闪烁。当本机准备就绪后，指示灯保持亮起（绿色）。

注意：

- 当发生低电压错误时（[ERROR] 指示灯红色亮起，并且 [REMAIN] 指示条中 [E2] 红色闪烁），请使用重新充电的电池组更换电池组，或者切换使用交流电源适配器，然后重新启动本机。
- 当内置硬盘驱动器的温度降到指定温度以下时（[ERROR] 指示灯红色亮起，并且 [REMAIN] 指示条中 [E1] 红色亮起和 [E2] 红色闪烁），本机会加热到指定的温度。在加热过程中，暂时不能使用 [START] 键和其他控制器。
- 在加热过程中，会消耗更多的电能。在有些情况下，其后会出现低电压错误，这取决于电池组的剩余电量。如果是这样，请先关闭本机电源，然后重新启动本机。

关闭电源

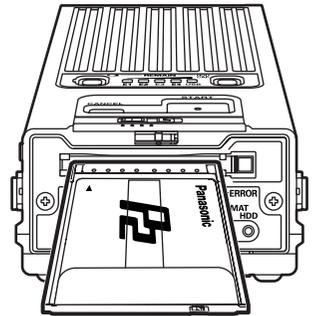
如果要关闭本机电源，请按住 [POWER] 键两秒钟以上。

电源指示灯熄灭。请注意，在关闭电源的过程中，此电源指示灯闪烁。

插入 P2 卡

在将 P2 卡插入卡槽中时，请一直水平拿住卡，并且小心插入。

如果带有角度用力插入的话，可能会损坏卡或卡槽，或者损坏本机。



弹出 P2 卡

如果要卡弹出，就按下弹出键一次，然后在此键凸出之后，再次按下此键。

在本机正在存取卡的过程中（此时 [P2C] 指示灯亮起），不要弹出 P2 卡。数据有可能会丢失或 P2 卡可能会被损坏。

注意：

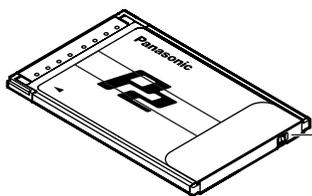
- 如果本机连接到计算机上，请等待直到卡的关闭程序完成之后，然后再按下弹出键。
- 对于 Windows：
 1. 转到 [开始] → [我的电脑]
 2. 在 P2 卡驱动器（显示为可移动磁盘）上用鼠标右键单击，然后选择“弹出”
 3. 按下弹出键，然后移除 P2 卡
- 对于 Macintosh：

选择桌面上所显示的 P2 卡音量。从画面上方的菜单条中选择 [文件] → [推出]，或将音量拖到垃圾箱内。

复制（续）

P2 卡上的写保护功能

当 P2 卡被插入后，下面的操作将会被禁止以保护数据，即使您调节写保护开关也是一样。因此，在插入 P2 卡之前，请检查写保护开关的设置。



写保护开关的设置
 PROTECT : 不能向卡上写入数据，也不能从卡上删除数据。
 PROTECT : 可以向卡上写入数据，也可以从卡上删除数据。

硬盘驱动器容量指示条

总量相当于最多 15 张 P2 卡上的数据可以被复制到本机的内置硬盘驱动器上。（但当使用 8 GB P2 卡时，仅能复制 7 P2 卡上的数据。）如果要查看硬盘驱动器上的剩余空间（可以复制多少张卡），请按下 [HDD CAP] 键并查看 [REMAIN] 指示条。

参阅【硬盘驱动器容量（以卡的数量计算）】。

在本机电源打开时，查看可以复制多少张 P2 卡

- 当使用 2 GB 或 4 GB P2 卡时：
 按下 [HDD CAP] 键一次。在 [REMAIN] 指示条中，[E1] 指示灯橙色亮起一秒钟。此后，显示会对应于下面的【硬盘驱动器容量（以卡的数量计算）】中给出的信息。
- 当使用 8 GB P2 卡时：
 按下 [HDD CAP] 键两次。在 [REMAIN] 指示条中，[E1] 和 [E2] 指示灯橙色亮起一秒钟。此后，显示会对应于下面的【硬盘驱动器容量（以卡的数量计算）】中给出的信息。

【硬盘驱动器容量（以卡的数量计算）】

■: 指示灯亮起 □: 指示灯闪烁
 R: 红色 G: 绿色

容量（可以被复制的卡数）	REMAIN				
	<input type="checkbox"/> E1	<input type="checkbox"/> E2	<input type="checkbox"/> E3	<input type="checkbox"/> E4	<input type="checkbox"/> USB
0	■ R	■ R	■ R	■ R	■ R
1	■ G				
2	■ G	■ G			
3	■ G	■ G	■ G		
4	■ G	■ G	■ G	■ G	
5 张以上	■ G	■ G	■ G	■ G	■ G
全部可使用（当未使用卡时）	□ G	□ G	□ G	□ G	□ G

在大约两秒钟之后，[REMAIN] 指示条熄灭。

复制（续）

电池电量指示条

当使用选购的电池组时，您可以查看剩余电量。通过按下 [] 键并查看 [REMAIN] 指示条，您就可以知道剩余的电量。参阅下面的【电池电量】。

当发生低压错误时（[ERROR] 指示灯红色亮起，并且 [REMAIN] 指示条中 [E2] 红色闪烁），不允许进行复制操作。只在 [REMAIN] 指示条中 [E1] 绿色亮起时，使用电池组。一旦电量下降到 0（零），会显示错误，正如【电池电量】中描述的那样，并且本机电源立即被关闭。请切换到另一个充满电的选购的电池组，或者使用选购的交流电源适配器。

在本机电源处于打开时，按下 [] 按钮显示会对应于下面的【电池电量】。

【电池电量】

■：指示灯亮起 ■, ●：指示灯闪烁
R：红色 G：绿色

电池组电量	REMAIN					○ERROR
	□ E1	□ E2	□ E3	□ E4	□ USB	
100	■ G	■ G	■ G	■ G	■ G	
	■ G	■ G	■ G	■ G		
	■ G	■ G	■ G			
	■ G	■ G				
	■ G					
	□ R					
0	□ R	■ R	□ R	□ R	■ R	● R

在大约两秒钟之后，[REMAIN] 指示条熄灭。

注意：

当使用交流电源适配器时，在有些情况下指示灯显示可能不是 100。这不是问题。

从 P2 卡复制到硬盘驱动器

从 P2 卡高速复制到硬盘驱动器是可能的，因为数据被直接传送到硬盘驱动器。当 [P2C] 或 [HDD] 指示灯亮起时，不要关闭本机电源或弹出 P2 卡。

当使用选购的电池组时，请在复制数据前检查剩余电量。如果在 [REMAIN] 指示条中 [E1] 红色闪烁，请切换到另一个充满电的选购的电池组，或者使用选购的交流电源适配器。

1. 在本机处于电源打开时，在卡槽中插入 P2 卡
2. 按下 [HDD CAP] 键，确认硬盘剩余空间足够复制至少一张卡
如果容量（以卡的数量计算）是零，请将需要的数据复制到其它存储媒体，并格式化硬盘驱动器。（参阅第 C-10 和 C-14 页）

复制（续）

3. 按住 [START] 键至少两秒钟以上

复制开始，进行验证¹⁾（当将 [VERIFY] 开关设为 ON 时）。

复制操作的进展状态会由指示灯显示，如下所示。

■: 指示灯亮起 □, ▣, ●: 指示灯闪烁
G: 绿色 OR : 橙色

进展状态 (%)	COPY STATUS					P2C	HDD
	20	40	60	80	100%		
00-19	■ G					在存取过程中 □ OR	在存取过程中 ● OR
20-39	■ G	■ G					
40-59	■ G	■ G	■ G				
60-79	■ G	■ G	■ G	■ G			
80-99	■ G	■ G	■ G	■ G	■ G		
100	■ G	■ G	■ G	■ G	■ G		

4. 请确保所有 [COPY STATUS] 指示灯都绿色亮起

5. 按下 [POWER] 键

复制完成，[COPY STATUS] 指示灯熄灭。

注意：

- 一旦 P2 卡上的数据被复制到硬盘驱动器上之后，就不能再次复制到硬盘驱动器上。此时，将根据 [VERIFY] 开关的设定进行下列动作：
 - [VERIFY] 开关为 OFF 时：即使进行步骤 3 的操作时，当复制处于进行状态时将立即 100% 地显示。
 - [VERIFY] 开关为 ON 时：进行步骤 3 的操作时，将不能复制数据，当复制处于进行状态时将显示 40-59%，并进行验证。
 - 即使已经由计算机或其他设备对 P2 卡上的数据进行了编辑、添加或删除，仍会将其视为是相同的数据。此时，将根据 [VERIFY] 开关的设定进行下列动作：
 - [VERIFY] 开关为 OFF 时：即使进行步骤 3 的操作时，当复制处于进行状态时将立即 100% 地显示。
 - [VERIFY] 开关为 ON 时：进行步骤 3 的操作时，将不能复制数据，当复制处于进行状态时将显示 40-59%，并进行验证。此时该数据将被识别为不同的数据，因出现 VerifyNG 错误²⁾，动作将终止。（参阅 C-27 页）
 - 如果在复制过程中本机变热，它会自动以较慢的速率进行复制。[P2C] 和 [HDD] 指示灯此时也慢速闪烁。
 - 如果复制未能正常完成（如果在复制过程中本机电源关闭，或者 P2 卡被拔出），硬盘驱动器的容量（可以被复制的卡的数目）就会下降，下降后的容量等于原来的容量减去不能被复制的卡的数目。
 - 如果插入了空白的 P2 卡，并且完成了上述步骤 3 的操作，则所有的 [COPY STATUS] 指示灯都会绿色闪烁。
 - 如果 P2 卡上含有损坏的视频剪辑³⁾，在使用本机复制之前，请一定首先使用 P2 摄像机或其他设备恢复任何丢失的数据。当一个有缺陷的场景片段未经纠正缺陷就被复制时，复制后得到的场景片段拷贝可能是无法修复的。
- 1) 不管 P2 卡上的数据和内置硬盘驱动器上的数据相同与否，此功能将进行验证。
 - 2) 当发生 Verify NG 错误时，在硬盘驱动器分区信息部分的状态栏内将显示出“ERROR”字样（参阅 C-19 页）。此时，P2 卡上的有关数据将被再次复制，但呈现“ERROR”状态的分区显示将保持不变。
 - 3) 由于在记录过程中意外拔出 P2 卡或者突然停电造成的记录不正确的视频剪辑。
使用 P2 摄像机或类似设备时，带有黄色 [X] 号的视频剪辑将显示在缩微图像画面上。

复制（续）

取消复制操作

您可以取消正在进行的复制操作，如下所示。

1. 按住 [CANCEL] 键两秒钟以上

[COPY STATUS]、[P2C] 和 [HDD] 指示灯将变化如下。

■：指示灯亮起

OR：橙色

COPY STATUS					□P2C	HDD○
20	40	60	80	100%		
■ OR	■ OR	■ OR	■ OR	■ OR	-	-

2. 按下 [POWER] 键

复制被取消，[COPY STATUS] 指示灯熄灭。

注意：

取消复制会自动删除已复制的数据。

格式化

格式化 P2 卡

您可以删除 P2 卡上的所有数据。

在格式化之后，数据不能够被恢复。在格式化 P2 卡之前，请确保所有数据都可以删除。

当 [P2C] 指示灯闪烁时，不要关闭本机电源或弹出 P2 卡。

这可能会损坏 P2 卡。

如果写保护开关被设定为 PROTECT，P2 卡就不能被格式化。此外，当 P2 卡被插入卡槽后，您不能调节写保护开关来为格式化做准备。

1. 在本机电源处于打开时，在卡槽中插入 P2 卡

2. 按住 [P2C] 键两秒钟以上

[COPY STATUS]、[P2C] 和 [HDD] 指示灯将变化如下。

■：指示灯亮起 ■：指示灯闪烁

OR：橙色

COPY STATUS					□P2C	HDD○
20	40	60	80	100%		
■ OR	■ OR	■ OR	■ OR	■ OR	■ OR	-

3. 在两秒钟内，按下 [START] 键

[COPY STATUS]、[P2C] 和 [HDD] 指示灯熄灭，P2 卡格式化开始。当 [P2C] 指示灯橙色闪烁时，格式化完成。

注意：

在步骤 2 中当 [COPY STATUS]、[P2C] 和 [HDD] 指示灯亮起时，如果您不在两秒钟内按下 [START] 键（步骤 3），P2 卡将不会被格式化。如果要格式化 P2 卡，从步骤 2 重复操作步骤。

格式化（续）

格式化硬盘驱动器

您可以删除已复制到内置硬盘驱动器上的所有数据。

在格式化硬盘驱动器之前，将本机放在坚实平坦的地方。
在格式化过程中，振动或撞击可能会损坏本机。
在格式化之后，数据不能够被恢复。在格式化硬盘驱动器之前，请确保所有数据都可以删除。

当 [HDD] 指示灯亮起时，不要关闭本机的电源。

1. 在本机电源处于打开时，按住 [HDD] 键两秒钟以上

[COPY STATUS]、[P2C] 和 [HDD] 指示灯将变化如下。

●：指示灯亮起 ■：指示灯闪烁
OR：橙色

COPY STATUS					□ P2C	HDD ○
20	40	60	80	100%		
■ OR	■ OR	■ OR	■ OR	■ OR	-	● OR

2. 在两秒钟内，按下 [START] 键

[COPY STATUS]、[P2C] 和 [HDD] 指示灯熄灭，硬盘驱动器格式化开始。当 [HDD] 指示灯橙色闪烁时，格式化完成。

注意：

- 在步骤 1 中当 [COPY STATUS] 指示灯、[P2C] 指示灯和 [HDD] 指示灯亮起时，如果您不在两秒钟内按下 [START] 键（步骤 2），内置硬盘驱动器将不会被格式化。
如果要格式化硬盘驱动器，从步骤 1 重复操作步骤。
- 将在内置硬盘驱动器上自动建立 15 个分区。

在使用过程中自动关闭电源

- 如果让本机处于不使用的状态，当没有进行任何复制或格式化操作时，十分钟过后，本机就会自动关闭电源。如果要使用本机，请再次打开本机电源。
- 当通过 USB 2.0 电缆将本机连接到计算机上时，如果让本机处于不使用的状态，自动关闭电源功能就不会被启用，即使没有进行任何复制或格式化操作。如果要关闭本机电源，请按住 [POWER] 键两秒钟以上。
- 请注意，当发生错误后本机处于等待错误检查时或者当复制结束后，自动关闭电源功能被禁用。

注意：

在 P2 存储器管理程序的设定页面上“自动电源关闭模式”中，您可以设定自动关闭电源之前的等待时间。
选项：[从不关闭]、[5 分钟]、[10 分钟]、[15 分钟]、[20 分钟]、[25 分钟] 和 [30 分钟]。默认：[10 分钟]。
(参阅第 C-22 页)

连接到计算机上

使用 USB 2.0 电缆将本机连接到计算机上,从而将 P2 卡和内置硬盘驱动器上的数据备份到计算机上。

■ 系统要求

您的计算机必须满足 P2 驱动程序、本机专用驱动程序以及专用软件的要求。

操作系统: Windows XP 专业版 SP2 或更新

Windows 2000 SP4 或更新

在 PowerPC 计算机上运行的 Macintosh 操作系统 X (10.4.2 或 10.4.6)

接口: 具有 USB 2.0 端口

注意:

本机及其专用驱动程序以及软件与运行 Mac 操作系统 X 的采用英特尔中心处理器的 Macintosh 计算机不兼容。

■ 安装

- 对于 Windows:

将所附 CD-ROM 上的 P2 驱动程序安装到计算机上。

同时还要安装专用软件。

有关安装说明请参阅所附的安装手册。

注意:

P2 驱动程序是能够通过 USB 2.0 电缆高速存取 P2 卡的软件。

- 对于 Macintosh:

按照下述步骤安装专用驱动程序及软件的应用程序。

1. 将所附的 CD-ROM 插入计算机
2. 双击 CD-ROM 中的 Macintosh 文件夹
3. 使用拖放方式将 AJ-PCS060G 文件夹复制到诸如桌面的位置
4. 双击 AJ-PCS060G 文件夹中的“P2StoreDriver.dmg”磁盘影像模组
5. 双击“P2StoreDriver.pkg”

安装屏幕立即出现。根据屏幕上的说明完成安装操作。

注意:

若未安装专用驱动程序,则不能由计算机存取内置硬盘驱动器(HDD)。

■ 卸载

- 对于 Windows:

有关卸载请参阅所附的安装手册。

- 对于 Macintosh:

若要卸载 P2 驱动程序和专用软件时,请直接将 AJ-PCS060G 文件夹从计算机上所安装之处拖至垃圾箱内并清空垃圾箱。

连接到计算机上（续）

■ 连接

1. 启动计算机
2. 使用 USB 2.0 电缆将本机连接到计算机上
3. 通过按下 [POWER] 键，打开本机电源
在本机上，电源指示灯绿色亮起。连接被自动检测。

注意：

- 请使用市场上出售的 USB 2.0 电缆。请使用短于 3 m 的电缆。如果电缆长度超过 3 m，建立的连接就不会正常工作。
- 不要一次将多个装置连接到计算机上。
- 数据不能从计算机写入到本机。
- 存取 P2 卡或内置硬盘驱动器（HDD）过程中请不要弹出 P2 卡或拔掉 USB 2.0 电缆。这会导致计算机发生故障。
- 在本机连接到计算机上的情况下，弹出 P2 卡时，首先请参考第 C-9 页上“弹出 P2 卡”中的说明。

对于 Windows：

- 当用 USB 2.0 电缆将本机与计算机连接时，最多可将 16 个分区添加到计算机上（15 个内置硬盘驱动器用分区和 1 个 P2 卡用分区）。（用于指定驱动器盘符。）
- 某些情况下，这些分区可能会与网络上现存的驱动器相同。当因与现存驱动器重复而看不到分区时，请用 P2Store Manager 将这些分区指定为文件夹。请参阅第 C-20 页上的⑤指定盘符设定按钮。
- 在第 C-11 页“从 P2 卡复制到硬盘驱动器”所述的操作中未使用的分区将不能从计算机存取。请参阅硬盘信息页面（第 C-19 页所述）来确认已经分配哪些驱动器盘符或指定为文件夹了。

对于 Macintosh：

- 各个分区将在桌面上显示为一个文件夹。
- 如果被复制的分区数与桌面上的文件夹数不符的话，表明发生了连接错误。请重新启动计算机并再次检查。

■ 移除

1. 按照下面的步骤断开 USB 连接
 - 对于 Windows XP 专业版：
双击任务栏中“安全删除硬件”图标。按照屏幕上的指示操作来停止“Panasonic P2 series USB Devices”。
 - 对于 Windows 2000：
双击任务栏中“拨下或弹出硬件”图标。按照屏幕上的指示操作来停止“Panasonic P2 series USB Devices”。
 - 对于 Macintosh：
连接上本机时，选择全部显示的文件夹。从屏幕上方的菜单条选择 [文件] → [推出]，或者直接将其拖到垃圾箱内。
2. 通过按住 [POWER] 键两秒钟以上，关闭本机电源
电源指示灯熄灭。
3. 拔出 USB 2.0 电缆

连接到计算机上（续）

■ 备份数据

为了保护内置硬盘驱动器上的宝贵数据，我们建议您在您的计算机上或其他存储设备上制作备份。在备份数据之前，请总是检查计算机硬盘上的剩余空间。

对于 Windows：

- 使用 Windows 资源管理器：
选择各个分区的顶层文件夹和文件，将其复制到计算机上所希望的文件夹内。对本机的所有分区进行此操作。
- 使用“P2 播放软件”：
选择需要的视频剪辑，然后将其复制到计算机上您想要的目标文件夹（设定了虚拟驱动器的地方）。请参考软件说明书以获取进一步的说明。

对于 Macintosh：

- 使用查询程序：
双击桌面上所显示的文件夹（表示本机上各个分区）将其打开。选择顶层文件夹和文件，请按相同的方法将本机其他分区的全部内容予以复制，将其复制到计算机上所希望的文件夹内。

专用软件简介

用专用软件应用程序可显示 AJ-PCS060G 的状态，对其进行操作，并对内置硬盘驱动器（HDD）进行常规检查。

■ 特色

1. P2存储器管理程序

- 硬盘驱动器状态显示
您可以查看本机硬盘驱动器的分区信息、自我诊断信息以及其他信息。
- AJ-PCS060G 设置
您可以自定义本机的操作参数，包括启用或禁用自动关闭电源功能。
- AJ-PCS060G 软件更新
您可以从松下网站下载软件，来保证本机支持最新的状态。

2. HDD Maintenance

- 内置硬盘驱动器 (HDD) 的常规检查
此软件可以完全存取 AJ-PCS060G 的内置硬盘驱动器（HDD）以检查本机的状态。请参阅“日常检查和定期维护建议”（附件）。

启动和关闭 P2存储器管理程序

1. 使用 USB 2.0 电缆将本机连接到计算机上

2. 按下 [POWER] 键来打开本机电源

在本机上，电源指示灯绿色亮起。连接被自动检测。

3. 启动 P2存储器管理程序

Windows XP 专业版：

转到 [开始] → [所有程序] → [Panasonic P2] → [P2存储器管理程序]。

Windows 2000：

转到 [开始] → [程序] → [Panasonic P2] → [P2存储器管理程序]。

对于 Macintosh：

双击 AJ-PCS060G 文件夹中此应用程序的图标。

4. 请确保在 P2存储器管理程序屏幕的左下角指示显示出“状态：正在连接”

现在您可以显示本机的状态并进行管理。（参阅第 C-19 页）

5. 退出 P2存储器管理程序

对于 Windows：

请点击右上角的“关闭”（ 按钮）框。

对于 Macintosh：

请点击在屏幕上方菜单条中的 [P2存储器管理程序] → [结束 P2存储器管理程序]。

P2存储器管理程序屏幕

屏幕概述



- ① 页面选项卡
单击选项卡进入不同页面。
- ② 页面显示区
显示有关本机的多种信息和操作按钮的区域部分。
- ③ 状态显示区
当本机连接到计算机上时,显示“状态: 正在连接”,未连接的话,显示“状态: 断开”。

硬盘信息页面

此页面用于确认本机内置硬盘驱动器的分区信息以及格式化设定和指定方法。
(此指定方法设定是仅适用于 Windows 的功能。)



- ④ 状态
显示分区状态。
“OK”: 正常
“ERROR”: 在复制或验证过程中某个时点出现了问题。
- ⑤ 原卡序列号
显示复制源的 P2 卡的序列号。
- ⑥ 原卡容量
显示复制源的 P2 卡的容量 (以 MB 计算)。
- ⑦ 复制日期
显示复制的日期。

① 分区信息部分

为从 P2 卡复制过来的数据显示分区信息。

①	②	③	④	⑤	⑥
号码	需要指定的盘符	状态	原卡序列号	原卡容量	复制日期

- ① 号码
显示分区编号。
- ② 需要指定的盘符
显示所分配的驱动器盘符或指定的文件名。

② 快速格式化按钮

如果要快速格式化内置硬盘驱动器,按下面的步骤操作。

1. 单击 [快速格式化] 按钮
会显示一个确认对话框,提示您批准格式化。
2. 单击 [是] 执行快速格式化^{1)、2)}

③ 全部删除按钮

用于对内置硬盘驱动器的所有扇区都写入“零”。如果使用电池作为本机的电源,在进行此步骤之前,请切换成使用交流电源适配器供电。

1. 单击 [全部删除] 按钮
会显示一个确认对话框,提示您批准数据删除,之后还会显示一个对话框,以确认交流电源适配器的连接。
2. 单击 [是]
对所有扇区都写入“零”。^{1) - 3)}

P2存储器管理程序屏幕（续）

④ 维护部分

显示内置硬盘驱动器已被使用的总时间。

⑤ 指定盘符设定按钮

（仅适用于 Windows）

可选择将分区显示在某个盘符位置或显示为指定的文件夹。

当单击 [指定盘符设定] 按钮时，将显示出下述画面。



• 要指定驱动器盘符时：

1. 选择 [指定起始盘符]。
2. 单击 [确定] 按钮。
3. 按照画面上指示重新启动本机。

• 要指定文件夹时^{4) - 12)}：

1. 选择 [指定 NTFS 格式文件夹]。
当更改显示驱动器的文件夹时，单击 [浏览] 按钮，指定位置。
2. 单击 [确定] 按钮。
3. 按照画面上指示重新启动本机。

注意：

- 1) 如果用 Macintosh 软件将硬盘驱动器（HDD）进行格式化的话，请务必通过插拔 USB 2.0 电缆和检查来确认格式化后是否已将所有数据抹消。
- 2) 在使用 [快速格式化] 和 [全部删除] 功能之前，请将本机放在一个稳定的地方。
在格式化过程中，振动或撞击可能会损坏本机。
使用 [快速格式化] 和 [全部删除] 功能将会删除内置硬盘驱动器上的所有数据。
如果硬盘上有您需要的数据，请在格式化之前将数据用另一个存储媒体进行备份。
- 3) 将零写入所有扇区需要花费大约 45 分钟。进行此项操作时，请总是使用交流电源适配器给本机供电。
- 4) 选择 [指定 NTFS 格式文件夹] 时，本机内置硬盘驱动器的各个分区将依次显示在子文件夹“pa01”至“pa15”内。如果所指定的文件夹内不存在子文件夹“pa01”至“pa15”的话，将自动建立这些子文件夹。

5) 下列情况下将不能指定某个特定的 NTFS 文件夹。

- 当子文件夹“pa01”至“pa15”已有内容时。
- 当文件系统不是 NTFS 时。

6) 执行 [指定 NTFS 格式文件夹] 后，当对本机内置硬盘驱动器进行格式化或将 8 GB 以上 P2 卡复制到本机上时，有时不能依次将本机内置硬盘驱动器的分区显示在子文件夹“pa01”至“pa15”上。当要连接本机和计算机时，建议进行指定盘符。

7) 如果分区的数少于 15 的话，当指定盘符后将本机的内置硬盘驱动器予以格式化和重新连接时，将显示出一个确认对话框。请按画面指示进行操作。

8) 当输入所指定名称的文件夹不存在时，将显示出一个确认对话框。确认输入的文件名后单击 [是]。

9) 如果本机与计算机未连接时，指定文件夹后要存取子文件夹“pa01”至“pa15”的话，可能会显示出一个确认对话框。

10) 当执行 [指定 NTFS 格式文件夹] 后切断本机与计算机的连接时，仅显示 P2 卡上所分配的驱动器盘符。

11) 执行 [指定 NTFS 格式文件夹] 后，文件夹“pa01”至“pa15”的图标显示可能不同。但这不会妨碍数据的存取。

12) 执行 [指定 NTFS 格式文件夹] 后要复制文件夹“pa01”至“pa15”内的数据时，请进行“复制”而不是“移动”的操作。

P2存储器管理程序屏幕（续）

S.M.A.R.T 信息页面

硬盘是相对来说易碎的设备。在使用本机的硬盘驱动器之前，请查看 S.M.A.R.T 信息（S.M.A.R.T: Self-Monitoring, Analysis and Reporting Technology（自我监测、分析和报告技术））。如果显示错误，请联络经销商。

在此页面上查看本机的内置硬盘驱动器的自我诊断信息。



① 模式部分

自我诊断信息包括一个数字的列表。从这些选项中选择格式。

- 对于十六进制显示：选择 [十六进制]
- 对于十进制显示：选择 [十进制]

② 保存按钮

自我诊断信息可以被保存，如下所述。

- 单击 [保存] 按钮
显示 [另存为] 对话框。
- 输入文件名，然后单击 [保存] 按钮
自我诊断信息被保存为文本文件。

③ 自我诊断信息部分

显示自我诊断信息，如下所示。

a	b	c	d	e	f
Name	Status	Pre-Fd	Attrbu	Thresh	RAW Data
Raw Read Error Rate	OK	1	64	3E	64,00,00,00,00,00,00,00
Throughput Performance	OK	1	64	28	64,00,00,00,00,00,00,00
Spins Up Time	OK	1	A0	21	A0,00,00,00,00,15,00,00
Start/Stop Count	OK	0	62	00	62,1F,0F,00,00,00,00,00
Reallocated Sector Count	OK	1	64	05	64,00,00,00,00,00,00,00
Seek Error Rate	OK	1	64	43	64,00,00,00,00,00,00,00
Seek Time Performance	OK	1	64	28	64,00,00,00,00,00,00,00
Power-On Hours Count	OK	0	64	00	64,1E,00,00,00,00,00,00
Spin Retry Count	OK	1	64	0C	64,00,00,00,00,00,00,00
Device Power Cycle Count	OK	0	64	00	64,4E,01,00,00,00,00,00
G-Sense Error Rate	OK	0	64	00	64,0A,00,00,00,00,00,00
Power Off Retract Count	OK	0	64	00	64,0A,00,00,00,00,00,00
Load/Unload Cycle Count	OK	0	64	00	64,89,10,00,00,00,00,00
Device Temperature	OK	0	30	00	30,1E,00,0E,00,32,00,00
Reallocation Event Count	OK	0	64	00	64,00,00,00,00,00,00,00
Current Pending Sector Count	OK	0	64	00	64,00,00,00,00,00,00,00
OFF-Line Scan Uncorrectable Sector Count	OK	0	64	00	64,00,00,00,00,00,00,00
Ultra DMA CRC Error Count	OK	0	C8	00	C8,00,00,00,00,00,00,00

a Name

通过名称识别被显示的项目。

b Status

给出诊断结果。

- OK：没有错误
- NG：出误

c Pre-Failure / Advisory

用“1”或“0”来标注内置硬盘驱动器错误的严重程度。

- “1”：严重
- “0”：不严重

如果对于一个程度严重的错误（[Pre-Failure / Advisory] 中是“1”），诊断结果**b**是“NG”，说明内置硬盘驱动器发生了致命错误。请尽快联络经销商。

d Attribute

显示一个代表项目状态的数值。

e Threshold

显示一个参考值，用于确定此项目的状态是“OK”或“NG”。

如果**d**的状态值比此部分中的值要低，判断结果就是“NG”。

f RAW Data

显示项目的详细状态信息。

P2存储器管理程序屏幕（续）

设定页面

用于查看和更改本机的操作参数。



① 高温模式部分

您可以指定如果内置硬盘驱动器温度超过了预定的水平，此时硬盘驱动器的操作是被暂停还是继续有效。

选项：[挂起]和[激活]。

默认：[挂起]。

本机的当前设置在“当前设置”部分中显示。

如果您对其进行更改，之后请单击[应用]按钮⑥。

注意：

设定为[激活]可能会造成硬盘驱动器故障。

使用此设置时您要自己承担可能出现的风险。

② 低于工作温度部分

您可以指定允许硬盘驱动器进行操作的最低环境温度。

选项：[5度 / 41F]和[-5度 / 23F]。

默认：[5度 / 41F]。

本机的当前设置在“当前设置”部分中显示。

如果您对其进行更改，之后请单击[应用]按钮⑥。

注意：

设定为[-5度 / 23F]可能会造成硬盘驱动器故障。

使用此设置时您要自己承担可能出现的风险。

③ 在USB方式上的冲击检测部分

当本机通过USB 2.0电缆连接到计算机上时，使用[打开]和[关闭]来启用或取消撞击检测。

[打开]（默认）：

如果本机受到撞击，与计算机的数据传输会被暂停。

[关闭]：

即使本机受到撞击，与计算机的数据传输也会进行。

本机的当前设置显示在“当前设置”部分中。

如果您对其进行更改，之后请单击[应用]按钮⑥。

注意：

[关闭]设置比[打开]设置更有可能造成硬盘驱动器故障。

使用此设置时您要自己承担可能出现的风险。

④ 自动电源关闭模式部分

您可以指定本机处于不使用的状态（当没有进行任何复制或格式化操作）时，自动关闭电源之前的等待时间。

选项：[从不关闭]、[5分钟]、[10分钟]、[15分钟]、[20分钟]、[25分钟]和[30分钟]。

默认：[10分钟]

本机的当前设置在“当前设置”部分中显示。

如果您对其进行更改，之后请单击[应用]按钮⑥。

请注意，当本机连接到计算机上时，自动关闭电源功能被禁用。

⑤ 初始化按钮

您可以恢复①、②、③和④部分中的默认设置。

但是，请注意设置的详细信息不会自动被应用。

如果您对其进行更改，之后请单击[应用]按钮⑥。

⑥ 应用按钮

按照下面步骤，将①、②、③和④部分中的设置详细信息保存在本机上。

1. 单击[应用]按钮

会显示一个确认对话框。

2. 单击[是]

详细信息被保存在本机上。

3. 重新启动本机

注意：

在本机被重新启动之后，新的设置生效。

P2存储器管理程序屏幕（续）

升级页面

用于保持本机的软件支持最新的状态。



① 本机状态部分

显示所使用软件的当前模式（标准模式或软件升级模式），以及版本与校验码。

② 升级部分

通过下载和安装最新软件，您就可以保持本机的软件最新。

③ 浏览按钮

单击 [浏览] 按钮来选择下载的软件以便安装到本装置上。

“文件版本 / 校验码” 部分显示升级后软件的版本与校验码。

④ 执行按钮

用于执行升级软件的命令。

请注意，需要花费几分钟来完成这一过程。

注意：

在此过程中，绝对禁止关闭本机的电源或者拔除 USB 2.0 电缆。

这样做可能会损坏本机。

此外，预先将本机放在稳定的地方上。

P2存储器管理程序屏幕（续）

升级步骤

1. 请按下述的技术支持网页的屏上指示下载本机的软件数据，将文件数据保存到您所选择的文件夹内。

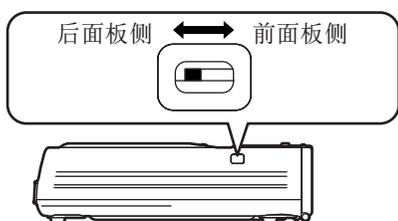
日语版

<http://panasonic.biz/sav/>

英语版

<https://eww.pavc.panasonic.co.jp/pro-av/>

2. 关闭本机电源。
在状态显示区中，“状态：断开”显示出来。
3. 打开本机侧面上的滑动开关盖，将开关滑动到前面板侧，如下所示。



4. 打开本机电源。
在状态显示区中，“状态：正在连接”显示出来。
5. 在“当前设置”部分中，请确保“模式：软件升级模式”显示出来。
如果显示“模式：标准模式”，请重新确认滑动开关滑动到前面板侧，如步骤3中说明那样。
在更新过程中，指示灯的显示如下所示。

■：指示灯亮起 ■, ●：指示灯闪烁
G：绿色 OR：橙色

COPY STATUS					P2C	HDD
20	40	60	80	100%	□	○
■ G	■ G	■ G	■ G	■ G	■ OR	● OR

6. 单击 [浏览] 按钮。
会显示 [打开] 对话框。
7. 选择在步骤 1 中下载的本机用软件数据。
“文件版本 / 校验码”部分显示升级后软件的版本与校验码。
如果“文件版本 / 校验码”中的信息和“本机版本 / 校验码”中的信息相符合，就没有必要升级。
转到步骤 11。

8. 单击 [执行] 按钮。
会显示一个确认对话框。
9. 单击 [是] 按钮。
最新的软件将会被安装，时间要花费几分钟。
在此过程中，绝对禁止拔出 USB 2.0 电缆，或者关闭本机或计算机的电源。

10. 在检查更新信息之后，单击 [确定] 按钮。
本机会自动被取消启用。在 Windows 2000 中，会显示有关弹出的警告，但这不是问题。单击 [确定] 按钮。
11. 在本机的侧面上，将滑动开关设定滑向后面板侧，然后关闭滑动开关盖。

12. 打开本机的电源。
在状态显示区中，“状态：正在连接”显示出来。
13. 确认在“当前设置”部分中显示“模式：标准模式”。
14. 确认“文件版本 / 校验码”中的信息和“本机版本 / 校验码”中的信息相符合。
如果不相符合，从步骤 2 重复操作步骤。

注意：

有关 AJ-PCS060G 的操作验证功能，包括已验证的 P2 卡最新信息请访问下列网站。

日语版

<http://panasonic.biz/sav/>

英语版

<https://eww.pavc.panasonic.co.jp/pro-av/>

ERROR 指示灯显示

可能影响本机的错误如下所示。请查清状态并采取下列纠正措施。

●, ■, — : 指示灯亮起 ○, □, ▣ : 指示灯闪烁
R : 红色 OR : 橙色

编号	ERROR	REMAIN				状态	纠正措施
		□ E1	□ E2	□ E3	□ E4		
1	● R	■ R				内置硬盘驱动器的温度超出可操作范围之外。	关闭本机的电源，使其充分冷却，然后再使用。
2	● R	■ R	▣ R				当 [E2] 闪烁时，本机正在预热。请转到较暖和的地方。
3	● R		▣ R			电池量低。	给电池组重新充电。
4	○ R	▣ R	▣ R	▣ R	▣ R	电压异常低。	给电池组重新充电。（在这些情况下，本机会立即关闭电源。）
5	● R			■ R	▣ R	在开始复制时，硬盘驱动器上没有足够的剩余空间。	在清除错误显示之后 ¹⁾ ，格式化内置硬盘驱动器。如果硬盘上有您需要的数据，在格式化之前使用另一个存储媒体备份数据。
6	● R		▣ R	■ R		在开始复制时，P2 卡未插入。	在清除错误显示之后 ¹⁾ ，插入 P2 卡，然后继续复制。
7	● R			▣ R	■ R	在开始复制时，发生震动。	在清除错误显示之后 ¹⁾ ，将本机放置平稳的地方上。在震动停止后，您可以恢复使用。
8	● R			■ R	■ R	在开始复制时发生错误，并且该错误并不是硬盘驱动器上没有足够的剩余空间，P2 卡未插入，振动故障等类似错误。	在清除错误显示之后 ¹⁾ ，再次尝试复制数据。如果该错误再次发生，更换 P2 卡，再次尝试复制。如果即使这样也不能避免该错误再次发生，请联络经销商。
9				▣ R		在复制过程中，发生错误。（不是 P2 卡被拔出来发生的错误）	
10	● R			▣ R		发生 P2 卡格式化错误。（写保护）	在清除错误显示之后 ¹⁾ ，将写保护开关设定到 PROTECT 位置的另一侧。（参阅第 C-10 页）
11						在 P2 卡上有一个视频剪辑需要进行恢复。	在清除错误显示之后 ¹⁾ ，在使用之前，请使用 P2 摄像机或其它设备恢复视频剪辑。
12	● R			■ R		数据不是标准格式。	在清除错误显示之后 ¹⁾ ，再次尝试格式化卡。如果即使这样也不能避免该错误再次发生，请联络经销商。
13						插入了不能使用 P2 卡。	在清除错误显示之后 ¹⁾ ，您可以恢复使用。有关 P2 卡进一步的详细信息，请联络经销商。

1) 如果要清除错误显示，请同时按下 [POWER] 键和 [CANCEL] 键。

ERROR 指示灯显示 (续)

编号	ERROR	REMAIN				状态	纠正措施
		□ E1	□ E2	□ E3	□ E4		
14	● R			■ R		P2 卡格式化发生错误。 (不是写保护或者 P2 卡被拔出来)	在清除错误显示之后 ¹⁾ , 再次尝试格式化卡。如果该错误再次发生, 更换 P2 卡, 再次尝试格式化。如果即使这样也不能避免该错误再次发生, 请联络经销商。
15	● R		■ R	■ R		内置硬盘驱动器上发生 [快速格式化] 错误。	内置硬盘驱动器可能出现故障。请联络经销商。
16	● R			■ R	■ R	内置硬盘驱动器上发生 [全部删除] 错误。	
17	● R		■ R	■ R		内置硬盘驱动器上发生 S.M.A.R.T 错误。	内置硬盘驱动器可能出现故障。如果硬盘上有您需要的数据, 首先请清除错误显示 ¹⁾ , 然后在不同的存储媒体上备份数据, 接着请联络经销商。
18	● R				■ R	复制失败, 然后本机电源被开启, 发生错误。	在清除错误显示之后 ¹⁾ , 再次尝试复制数据。
19	● R				■ R	[快速格式化] 操作失败, 然后本机电源被开启, 发生错误。	再次执行 [快速格式化] 操作。
20	● R				■ OR	[全部删除] 操作失败, 然后本机电源被开启, 发生错误。	再次执行 [全部删除] 操作。
21	● R	■ R	■ R	■ R	■ R	在发生内部错误之后, 不能进行复制或格式化操作。	本机可能发生故障。请联络经销商。
22	● R	■ R	■ R	■ R	■ R	在更新过程中发生错误。	
23	● R	■ R			■ R	没有应用纠正措施。本机的内部设置不能被调节, 所以发生错误。	
24	● R		■ OR			内部锂电池漏电。	请联络经销商更换锂电池。一旦显示此错误, 当本机电源开启时, 就会持续显示此错误, 直到您更换锂电池。
25	● R	■ R	■ R	■ R	■ R	当写入管理性数据时, 感应器检测到对硬盘驱动器的撞击或发生硬盘驱动器存取错误。	先关闭本机电源, 然后再打开。将本机放置在平稳的地方上之后, 复制数据。
26	● R		■ R	■ R	■ R	内置硬盘驱动器的控制信息出现某个错误。	如果是重要的数据, 请将其记在独立媒体上制作备份, 然后用 [快速格式化] 进行处理。

1) 如果要清除错误显示, 请同时按下 [POWER] 键和 [CANCEL] 键。

ERROR 指示灯显示 (续)

编号	ERROR	REMAIN				状态	纠正措施
		<input type="checkbox"/> E1	<input type="checkbox"/> E2	<input type="checkbox"/> E3	<input type="checkbox"/> E4		
27	● R			<input checked="" type="checkbox"/> OR		当验证功能已经独立进行时, 将发生 Verify NG 错误。	在清除错误显示之后 ¹⁾ , 再次尝试复制数据。
28	● R			<input checked="" type="checkbox"/> OR		当在 Verify NG 错误发生之前出现某个错误时, 将终止动作而不进行确认, 然后启动电源。	在清除错误显示之后 ¹⁾ , 再次尝试复制数据。
29					<input checked="" type="checkbox"/> OR	感应器检测到对硬盘驱动器的撞击, 发生错误。	在确保本机远离能够受到撞击的地方后, 暂时关闭本机的电源, 等待一会儿。

1) 如果要清除错误显示, 请同时按下 [POWER] 键和 [CANCEL] 键。

编号	ERROR	COPY STATUS					状态	纠正措施
		<input type="checkbox"/> 20	<input type="checkbox"/> 40	<input type="checkbox"/> 60	<input type="checkbox"/> 80	<input type="checkbox"/> 100%		
30	● R	<input checked="" type="checkbox"/> OR	<input checked="" type="checkbox"/> OR	<input checked="" type="checkbox"/> OR	<input checked="" type="checkbox"/> OR	<input checked="" type="checkbox"/> OR	在存取 P2 卡过程中, P2 卡被拔出, 错误发生。	先关闭本机电源, 然后再打开。

故障排除

如果本机看起来出现故障, 请核对下列要点。如果故障持续存在, 请联络经销商。

症状	要检查的项目
按下 [POWER] 键后, 电源指示灯不亮。	<ul style="list-style-type: none"> • 电池组漏电吗? • 交流电源适配器连接正确吗?
在插入 P2 卡并按下 [START] 键后, 复制没有开始。	<ul style="list-style-type: none"> • 在内置硬盘驱动器上是否有足够的剩余空间可供复制? • 是否显示一个错误指出内置硬盘驱动器温度超出或低于预定水平?
按下 [<input checked="" type="checkbox"/> >] 键后, [REMAIN] 指示灯不亮。	<ul style="list-style-type: none"> • 电源指示灯是否亮起 (绿色)?
按下 [HDD CAP] 键后, [REMAIN] 指示灯不亮。	<ul style="list-style-type: none"> • 电源指示灯是否亮起 (绿色)?
当本机用 USB 2.0 电缆与计算机连接时将不会在 Windows 资源管理器内显示本机的内存分区名。	<ul style="list-style-type: none"> • 本机是否正在处理复制或格式化操作? • 计算机支持 USB 2.0 连接吗? • 操作系统是 Windows XP SP2 或更新, 或者 Windows 2000 SP4 或更新吗? • 本机是否被正确地连接到计算机上? • 分配给网络驱动器盘符是否紧跟着计算机的硬盘或光驱的盘符?
不能格式化 P2 卡。	<ul style="list-style-type: none"> • 写保护开关是否设定为 PROTECT? • P2 卡被正确插入吗?
按下 [POWER] 键后, 电源指示灯几乎不闪。	<ul style="list-style-type: none"> • 您是否在低于 5°C 的温度环境下试图打开本机的电源?

规格

电源 : DC 7.9 V
耗电量 : 最大 1.3 A, 正常操作时 0.8 A

 显示安全信息。

电源电压:

电池组 DC 7.2 V
(选购件: CGR-D16S, CGP-D28S,
CGA-D54S)
交流电源适配器 DC 7.9 V
(选购件: AG-B15)

操作环境:

在使用中 温度 0 °C 到 +40 °C ¹⁾
湿度 5 % 到 85 % 相对湿度
(无结露)
存放时 温度 -20 °C 到 +60 °C
湿度 0 % 到 90 % 相对湿度
(无结露)

1) 为了保护硬盘驱动器, 如果硬盘驱动器的内部温度超出本机的指定范围之外, 会显示错误, 并且不允许进行复制操作。

系统要求:

经验证的操作系统
Windows XP 专业版 SP2 或更新, 或者
Windows 2000 SP4 或更新
在 PowerPC 计算机上运行的 Macintosh 操作系统 X (10.4.2 或 10.4.6)

USB 接口

USB 2.0

注意:

本机及其专用驱动程序以及软件与运行 Mac 操作系统 X 的采用英特尔中心处理器的 Macintosh 计算机不兼容。

硬盘容量:

60 GB

PC 卡槽:

PCMCIA 类型 II (CardBus) × 1

尺寸 (宽 × 高 × 深):

90 mm × 45 mm × 180.5 mm
(不包括伸出部分)

重量:

650 g

所示的重量和尺寸为近似值。
规格如有修改, 恕不另行通知。

もくじ

準備

安全上のご注意	J-2	使用上のお願い	J-6
概要	J-5	本機について	J-6
特長	J-5	ハードディスクについて	J-6
付属品	J-5	お手入れについて	J-7
別売品	J-5	メンテナンスについて	J-7
		ACアダプターについて	J-7
		バッテリーパックについて	J-7

使いかた

各部の名称と機能	J-8	P2カードの書き込み保護	J-12
前面	J-8	HDD残量表示	J-12
上面	J-9	バッテリーパック残量表示	J-13
右側面	J-9	P2カードからHDDへのコピー	J-13
左側面	J-10	コピーキャンセル	J-15
後面	J-10	フォーマット	J-15
コピー操作	J-11	P2カードフォーマット	J-15
電源ON・OFF操作	J-11	HDDフォーマット	J-16
P2カードを入れる	J-11	動作中の自動電源OFF対応	J-16
P2カードを取り出す	J-11		

パソコンと接続して

パソコンに接続する	J-17	P2ストアマネージャーの画面について	J-21
専用アプリケーションソフトウェアについて	J-19	HDD情報ページ	J-21
P2ストアマネージャーの起動と終了	J-20	S.M.A.R.T情報ページ	J-23
		動作設定ページ	J-24
		バージョンアップページ	J-25
		バージョンアップ手順	J-26

必要なときに

ERROR LED表示	J-27	保証とアフターサービス	J-30
修理を依頼される前に	J-29	定格	J-31

- ・ Microsoft とそのロゴ、Windows は米国Microsoft Corporation の米国およびその他の国における登録商標または商標です。
- ・ AppleとそのロゴMacintoshは、米国Apple Computerの米国およびその他の国における登録商標または商標です。
- ・ Intel、Pentium はIntel Corporationの米国およびその他の国における登録商標または商標です。
- ・ その他、本文で記載されている各種名称、会社名、商品名などは各社の商標または登録商標です。なお、本文中では™、®マークは明記していません。

安全上のご注意 必ずお守りください

お使いになる人や他の人への危害、財産への損害を未然に防止するため、必ずお守りいただくことを、次のように説明しています。

■表示内容を無視して誤った使い方をしたときに生じる危害や損害の程度を、次の表示で区分し、説明しています。

 危険	この表示の欄は、「死亡または重傷などを負う危険が切迫して生じることが想定される」内容です。
 警告	この表示の欄は、「死亡または重傷などを負う可能性が想定される」内容です。
 注意	この表示の欄は、「傷害を負う可能性または物的損害のみが発生する可能性が想定される」内容です。

■お守りいただく内容の種類を、次の絵表示で区分し、説明しています。
(下記は絵表示の一例です)

	このような絵表示は、してはいけない「禁止」内容です。
	この絵表示は、必ず実行していただく「強制」内容です。

危険

指定以外のバッテリーパックを使わない

バッテリーパックの端子部（+・-）に金属物（ネックレスやヘアピンなど）を接触させない

バッテリーパックを分解、加工（はんだ付けなど）、加圧、加熱、火中投入などをしない

バッテリーパックを炎天下（特に真夏の車内）など、高温になるところに放置しない



液もれ・発熱・発火・破裂の原因になります。

- ビニール袋などに入れ、金属物と接触させないようにしてください。
- 不要（寿命）になったバッテリーについてはJ-7ページをご参照ください。
- 万一、液もれが起これたら、販売店にご相談ください。

液が身体や衣服に付いたときは、水ですぐ洗い流してください。

液が目に入ったときは、失明のおそれがあります。目をこすらずに、すぐにきれいな水で洗ったあと、医師にご相談ください。

バッテリーパックは、専用のACアダプターで充電する



指定以外の充電器で充電すると、発熱・発火・破裂を起こし、けがの原因になります。

ACアダプターは、専用のバッテリーパック以外の充電には使わない



液もれ・発熱・発火・破裂などを起こし、けがをする原因になります。

警告

内部に金属物を入れたり、水などの液体をかけたりぬらしたりしない



ショートや発熱により、火災・感電・故障の原因になります。

- 機器の近くに水などの液体の入った容器や金属物を置かないでください。

分解や改造をしない



内部には電圧の高い部分があり、感電や火災の原因になります。また、使用機器を損傷すること
分解禁止 があります。

- 内部の点検や修理などは、お買い上げの販売店にご相談ください。

乗り物を運転しながら使わない



事故の誘発につながります。

- 歩行中でも周囲の状況、路面の状態などに十分ご注意ください。

不安定な場所に置かない



落ちたり、倒れたりして、けがの原因になります。

異常があったときは、バッテリーを外す

- 内部に金属や水などの液体、異物が入ったとき
- 落下などで外装ケースが破損したとき
- 煙や異臭、異音などが出たとき



そのまま使うと、火災・感電の原因になります。

- ACアダプターで使っている場合は、ACアダプターを外してください。
- 販売店に相談してください。

付属品・オプションは、指定の製品を使用する



本体に誤って指定外の製品を使用すると、火災や事故を起こす原因になります。

⚠️ 注意

直射日光の当たる場所や異常に温度が高くなる場所に置かない



特に真夏の車内、車のトランクの中は、想像以上に高温（約60℃以上）になります。本機やP2カード、アクセサリを絶対に放置しないでください。外装ケースや内部部品が劣化するほか、火災の原因になることがあります。

油煙や湯気の当たるところ、湿気やほこりの多いところに置かない



電気が油や水分、ほこりを伝わり、火災・感電の原因になることがあります。たばこの煙なども製品の故障の原因になることがあります。

本機の上に重いものを置いたり、乗ったりしない



- 落下したり倒れたりして壊れ、けがの原因になります。
- 重量で外装ケースが変形し、内部部品が破損すると、火災・故障の原因になります。

飛行機内で使うときは、航空会社の指示に従う



本機が出す電磁波などにより、飛行機の計器に影響を及ぼす恐れがあります。

- 病院などで使うときも、病院の指示に従ってください。

長期間使用しないときや、お手入れのときは、バッテリーや、ACアダプターを外す



火災や感電の原因になります。

概要

本機 (AJ-PCS060G) は、USB2.0端子 (Type B) を搭載するAJ-P2CシリーズのP2カード (メモリーカード) 専用のポータブルハードディスクユニットです。
本機は、P2カードカメラレコーダーで記録したデータを、本機に内蔵するHDD (60 GBのハードディスク) にコピーできます。

特長

- P2カードを1枚装着可能。
- 60 GBの2.5インチHDDを内蔵。
- 加速度センサーおよびHDDパック構造により耐衝撃性能¹⁾を向上。
- P2カードから内蔵HDDに、直接データ転送をすることにより高速コピーを実現。
- 本機とパソコンをUSB2.0対応ケーブルで接続することにより高速データ転送が可能。

1) 耐衝撃性能について

- コピー中などの動作中に衝撃や落下を検知した場合、自動的に内蔵HDDのヘッド退避を行う。
- 内蔵HDDを緩衝材で保護するHDDパック構造導入。ただし、無破損、無故障を保証するものではありません。

付属品

- インストールマニュアル・・・・・・・・・・・・・・・・・・・・・・・・・・・・・・・・・・1
- フェライトコア・・1
- CD-ROM
[P2ドライバー, P2カードマネージャー, インストールマニュアル, 取扱説明書 (本書)]1

別売品

- バッテリーパック VW-VBD33 (1,500 mAh)
VW-VBD35 (2,700 mAh)
VW-VBD55 (5,400 mAh)
- ACアダプター AG-B15

この装置は、情報処理装置等電波障害自主規制協議会 (VCCI) の基準に基づくクラスB 情報技術装置です。この装置は、家庭環境で使用することを目的としていますが、この装置がラジオやテレビジョン受信機に近接して使用されると、受信障害を引き起こすことがあります。取扱説明書に従って正しい取り扱いをしてください。



ヨーロッパ連合以外の国の廃棄処分に関する情報

このシンボルマークはEU域内でのみ有効です。
製品を廃棄する場合には、最寄りの市町村窓口、または販売店で、正しい廃棄方法をお問い合わせください。

使用上のお願い

本機について

本機には、ハードディスクが内蔵されており、パック構造により、落下／衝撃性能を向上させる機構はもっていますが、無破損、無故障を保証するものではありません。
あらかじめ、ご了承ください。

別売のバッテリーパックおよびACアダプターをご用意ください。

ハードディスクについて

本機には、ハードディスク（以下HDD）が内蔵されています。
HDDや、HDDに記録したデータが損なわれたり、動作が中断したりする場合がありますので、設置時や使用時は以下のことに気をつけてください。

- 動作中に振動や衝撃を与えない。（HDDが破損することがあります。）
- 振動する場所や不安定な場所で使用しない。
- 密閉された場所、放熱ができない場所、風通しの悪い場所では使用しない。
- 温度差の激しい場所では使用しない。
→ 温度差の激しい場所で使用すると、“つゆ付き”が起こる場合があります。本機内部に“つゆ付き”が起こったまま使用すると、HDDに傷が付き、故障の原因になります。また、室温の温度変化は、毎時20℃以下（1時間あたりの温度変化が20℃以内）に保つようにしてください。
- 湿度の高い場所で使用しない。
- 電源ONのときは、バッテリーパックおよびACアダプターを抜かない。
- 移動させるときには、必ず [POWER] ボタンを2秒以上押しして終了処理をし電源をOFFする。完全に回転が止まってから（2分程度待ってから）、振動や衝撃を与えないように動かす。（電源を切っても、HDDはしばらくの間は惰性で回転しています。）
- 海拔-90 m以下および海拔3000 m以上の場所では使用しない。

HDDは非常に精密な機器で、使用状況によっては部分的な破損や最悪の場合データの読み書きができなくなる恐れも十分にあります。このため内蔵HDDは、コピーしたデータの恒久的な保管場所ではなく、あくまでも別の記録媒体にバックアップするまでの、一時的な保管場所として使用してください。

■ 記録データについて

HDDが故障すると、HDDに記録された内容が失われます。重要なデータは必ず別の記録媒体にバックアップをとるようにしてください。バックアップ方法はJ-19ページを参照してください。

HDDの故障あるいは何らかの不具合によるデータの損失、ならびにこれらに関するその他の直接・間接の損害につきましては、当社は責任を負いかねます。あらかじめご了承ください。

■ 本機の廃棄・譲渡時におけるHDD内のデータ消去について

お客様が本機を廃棄・譲渡を行う際に、HDD内の重要なデータが流出するというトラブルを回避するためには、HDD内にコピーしたすべてのデータを、お客様の責任において消去することが非常に重要です。

廃棄するためには、金づちや強い磁気によって物理的・磁氣的に破壊して、読めなくすることを推奨します。

使用上のお願い (つづき)

お手入れについて

お手入れの際は、ベンジン、シンナー、アルコールなどの溶剤を使わない

- お手入れの際は、バッテリーパックを取り外すか、またはACアダプターのコンセントを抜いてください。
- 溶剤を使うと外装ケースが変質したり、塗装がはげる恐れがあります。
- 本機は、柔らかい、乾いた布でほこりをふいてください。汚れがひどいときは、中性洗剤を水でうすめ、その液にひたした布をよく絞ってから汚れをふき取ってください。そのあと、乾いた布でからぶきしてください。
- 化学ぞうきんをご使用の際は、その注意書に従ってください。

メンテナンスについて

内蔵ハードディスクドライブ (HDD) は補修用性能部品です。

本機を最良の状態でお使いいただくために、ユーザーによる定期的な状態確認と販売店による定期保守をしていただくことをお勧めします。

定期保守の内容につきましては販売店にお問い合わせください。

定期保守は、下記を目安に依頼してください。確認のしかたについては、J-22ページを参照してください。

稼働時間 2000時間毎

お願い：

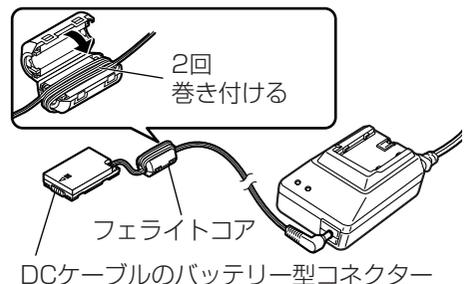
- 保守サービスの際には、HDDの記録内容が失われることがあります。
保守サービスをご依頼の際には、必ず記録内容をバックアップしていただきますようお願いいたします。
なお、失われたデータに対しての補償は致しかねますので、あらかじめご了承ください。
- HDD故障時には、保存されているデータの補償、修復はできません。
HDDは一時保存用ですので、早めのデータのバックアップをお勧めいたします。

AC アダプターについて

別売のACアダプター (AG-B15) を使用してください。
ご使用の際には、別売品の取扱説明書をよく読んでご使用ください。

ノート：

ACアダプターでご使用になるときは、本機に接続されるDCケーブルのバッテリー型コネクターの根元に同梱のフェライトコアを取り付けてください。取り付けの際には、ケーブルをフェライトコアに2回巻きつけてください。このフェライトコアを使用しないと、他の機器に影響を与えることがあります。



バッテリーパックについて

別売のバッテリーパックを使用してください。

ご使用の際には、別売品の取扱説明書をよく読んでご使用ください。

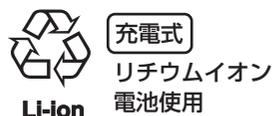
不要になった電池 (バッテリーパック) は、貴重な資源を守るために、廃棄しないで充電式電池リサイクル協力店へお持ちください。

使用済み充電式電池 (バッテリーパック) の届け先

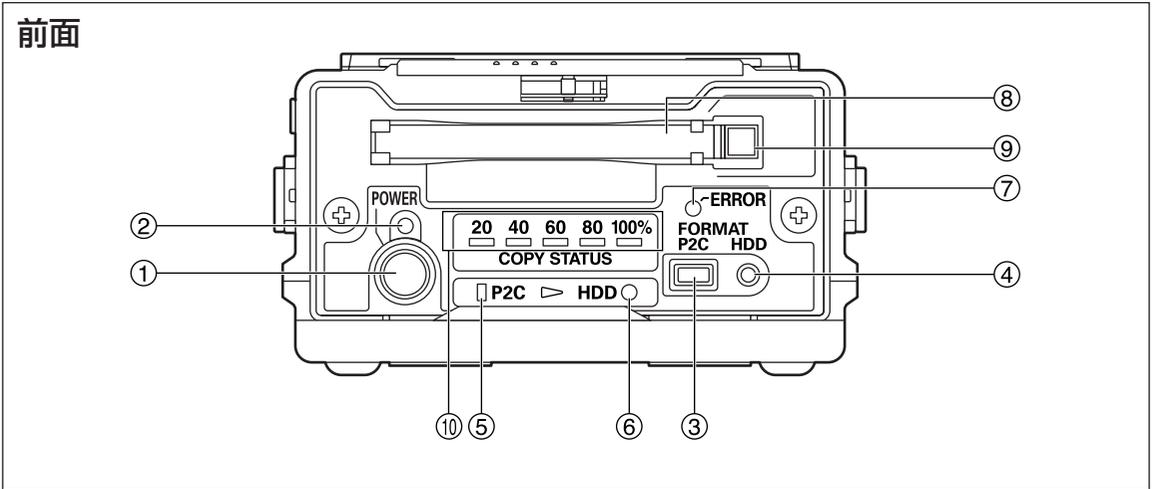
最寄りのリサイクル協力店へ。詳細は、有限責任中間法人JBRCのホームページ <http://www.jbrc.net/hp> をご参照ください。

使用済み充電式電池の取り扱いについて

- 端子部をセロハンテープなどで絶縁してください。
- 分解しないでください。



各部の名称と機能



① POWERボタン

電源をON/OFFするボタンです。
OFF時、[POWER] ボタンを押すと、電源がONします。ON時、**2秒以上** [POWER] ボタンを押すと、電源がOFFします。

② POWER LED

電源ON時に点灯します。
ただし、電源ON後の起動処理中や電源OFF時の終了処理中は、点滅します。

③ P2Cボタン

P2カードをフォーマットするボタンです。
HDDにコピー完了後、必要に応じてP2カードをフォーマットしてください。
(☞ J-15ページ参照)

ノート:

一度フォーマットしたデータは、復元できません。すべて消去してよいか確認してからフォーマットを行ってください。

④ HDDボタン

内蔵HDDをフォーマットするボタンです。内蔵HDDにコピーしたデータが、不必要になったときに一括で消すことができます。(☞ J-16ページ参照)

ノート:

一度フォーマットしたデータは、復元できません。すべて消去してよいか確認してからフォーマットを行ってください。

⑤ P2C LED

P2カードアクセス時に点灯・点滅します。
(☞ J-14、J-15、J-26ページ参照)

⑥ HDD LED

内蔵HDDアクセス時に点灯・点滅します。
(☞ J-14、J-16、J-26ページ参照)

⑦ ERROR LED

エラー発生時に点灯・点滅します。
前面の[COPY STATUS] LEDと上面の[E1~E4] LED、[P2C] LEDおよび[HDD] LEDとの組み合わせでエラー内容を表示します。(☞ J-13、J-27~J-29ページ参照)

⑧ P2カードスロット

P2カード専用スロットです。⑨のEJECTボタンが押し込まれていることを確認し、P2カードを水平にして挿入してください。
P2カード以外の物は、絶対に挿入しないでください。

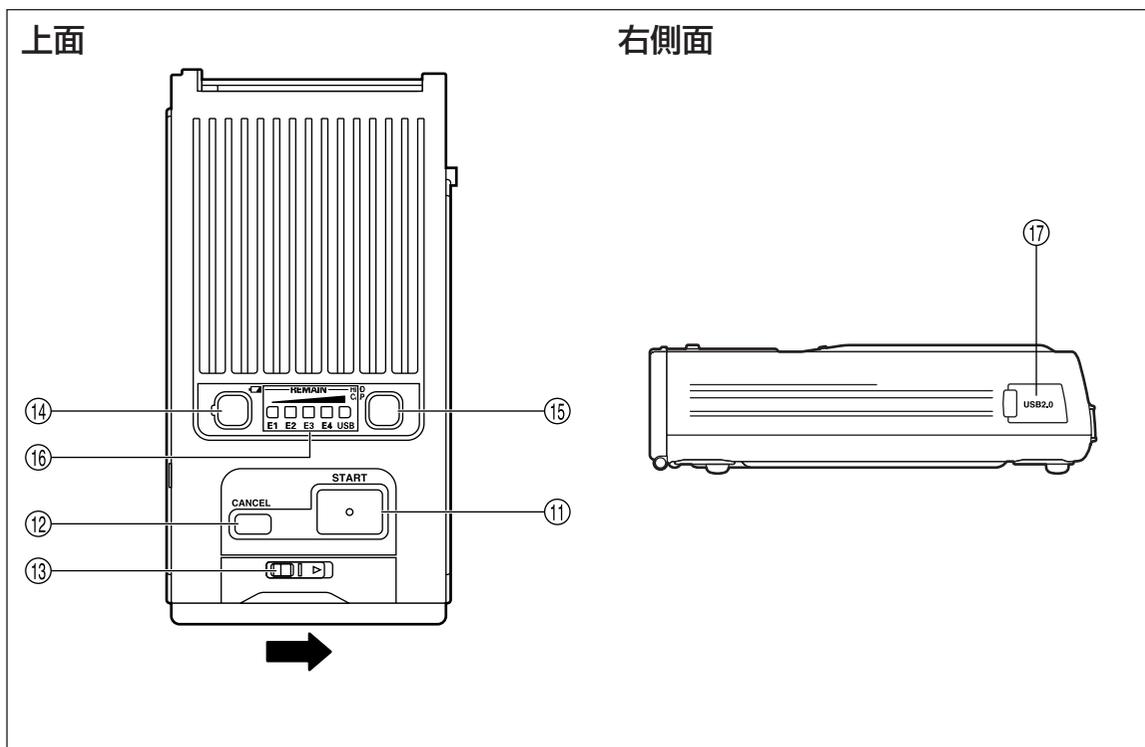
⑨ EJECTボタン

P2カードスロットに挿入したP2カードを、取り出すときに使用します。
(☞ J-11ページ参照)

⑩ COPY STATUS LED

データコピーやフォーマット時の進行状態を表示します。
(☞ J-14、J-15、J-16、J-26、J-29ページ参照)

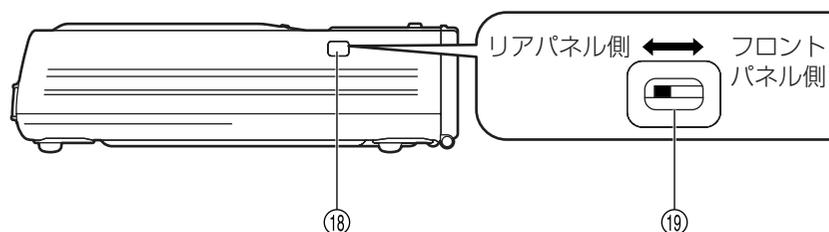
各部の名称と機能 (つづき)



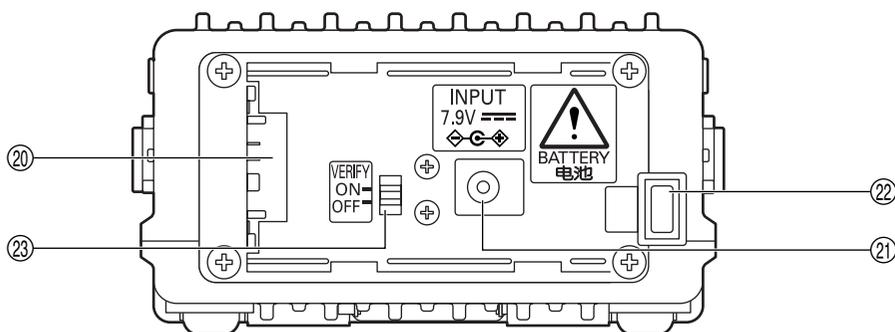
- ⑪ **STARTボタン**
データコピーやフォーマットを開始するボタンです。
[START] ボタンを**2秒以上**押しと、各処理が開始します。
- ⑫ **CANCELボタン**
コピーを中止するボタンです。
コピー処理中に、[CANCEL] ボタンを**2秒以上**押しと、コピーを中止します。
- ⑬ **スライドノブ**
ノブを矢印方向にスライドすると、フロントパネルカバーが開きます。
- ⑭ **バッテリーパック残量表示 [🔋] ボタン**
ボタンを押すと⑯の [REMAIN] にバッテリーパック残量を約2秒間表示します。
(☞ J-13ページ参照)
ただし、[USB] はUSB2.0対応ケーブル接続時、緑色点灯します。
- ⑮ **HDD残量表示 [HDD CAP] ボタン**
ボタンを押すと⑯の [REMAIN] に内蔵HDD残量を約2秒間表示します。
[REMAIN] は、コピー可能な枚数を示します。
(☞ J-12ページ参照)
ただし、[USB] はUSB2.0対応ケーブル接続時、緑色点灯します。
- ⑯ **バッテリーパック/HDD残量表示 兼 エラー表示LED [REMAIN]**
バッテリーパックや内蔵HDDの残量とエラー発生時の内容を表示します。
(☞ J-12、J-13、J-27～J-29ページ参照)
- ⑰ **USB2.0 端子(Type B)**
本機とパソコンを接続するときは、この端子にUSB2.0対応ケーブルをつないでください。
ノート：
本機を使用するには、USB2.0対応のパソコンが必要です。

各部の名称と機能（つづき）

左側面



後面



⑱ スライドスイッチカバー

⑲ スライドスイッチ

フロントパネル側になっているとき本機用ソフトウェアをバージョンアップできます。
通常時はリアパネル側です。
(☞ J-26ページ参照)

⑳ 電源装着部

別売のバッテリーパックまたはACアダプターを装着してご使用ください。

㉑ DC IN端子 (7.9 V)

㉒ バッテリーロック解除ボタン

別売のバッテリーパックおよびACアダプターを取り外すときは、ボタンを押しながらボタン側にスライドさせてください。

㉓ VERIFY スイッチ

P2カードから内蔵HDDにコピー後、Verifyチェックすることができます。

(☞ J-14ページ参照)

ON：チェックする

OFF：チェックしない

ノート：

コピー精度維持のため、VERIFYスイッチONで使用してください。OFFで使用の場合、正しくコピーできない可能性があります。ただし、ONで使用の場合、OFFと比べて2倍以上の時間がかかります。

コピー操作

電源ON・OFF操作

本機の電源には、別売のバッテリーパックか、ACアダプターをご使用ください。
(☞ J-5ページ参照)

バッテリーパックおよびACアダプターが、本機に確実に接続できているか、確認してください。
接続については、別売品の取扱説明書を参照してください。

各操作前には、電源ONしてください。また、操作後、使用しない場合には電源OFFしてください。

電源ON

[POWER] ボタン を押すと、電源がONします。起動処理中はPOWER LEDが点滅し、使用可能になると緑色に点灯します。

ノート：

- 低電圧エラーが発生している状態（[ERROR] LEDが赤色点灯、[REMAIN] の [E2] が赤色点滅）のときは、充電したバッテリーパックに変換するか、ACアダプターに切り換えて電源を再起動してください。
- 内蔵HDDの温度が所定温度以下（[ERROR] LEDが赤色点灯、[REMAIN] の [E1] が赤色点灯、[E2] が赤色点滅）のときは、所定温度まで暖機運転を行います。暖機運転中は [START] ボタンなどは、受けつけません。
- 暖機運転は消費電力が大きいいため、使用するバッテリーパックの残量によっては暖機運転完了後、低電圧エラーになることがあります。発生時は一度電源をOFFし、再度電源をONにしてください。

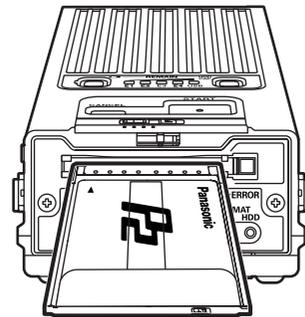
電源OFF

[POWER] ボタン を**2秒以上**押すと、電源がOFFします。
POWER LEDが消灯します。ただし、終了処理中は点滅します。

P2カードを入れる

本機のP2カードスロットにP2カードを挿入するときには、必ずP2カードを水平にして確実に挿入してください。

斜めのまま、無理に挿入すると故障の原因になります。



P2カードを取り出す

EJECTボタンを押し、ボタンが飛び出したあと、もう一度押しと、P2カードが取り出せます。

P2カードアクセス（[P2C] LED点灯）中にP2カードを取り出さないでください。データが壊れたり、P2カードが故障する可能性があります。

ノート：

パソコンに接続して使用している場合は、カードの停止処理後に、EJECTボタンを押してください。

● Windowsの場合：

1. [スタート] → [マイコンピュータ] をクリックする
2. P2カードのドライブ（リムーバブルディスク）を右クリックして、“取り出し”を選択する
3. EJECTボタンを押して、P2カードを取り出す

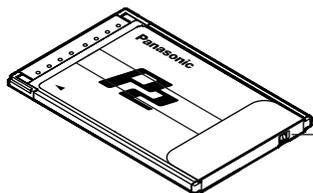
● Macintoshの場合：

デスクトップ上に表示されたP2カードのボリュームを選択し、画面上部のメニューバーの[ファイル] → [取り出し]を選択して実行するか、もしくはゴミ箱に移動してください。

コピー操作（つづき）

P2カードの書き込み保護

P2カードを挿入している状態で、書き込み禁止スイッチを切り換えても、以下の設定は機能しません。P2カードの挿入前に、書き込み禁止スイッチを確認してください。



書き込み禁止スイッチ設定

PROTECT : データの書き込みや消去を禁止します。

PROTECT : データの書き込みや消去ができます。

HDD残量表示

本機内蔵HDDには、最大15枚分のP2カードをコピーすることができます。（ただし、8 GBのP2カードのみ使用してコピーすると最大7枚分です。）内蔵HDDにコピーできる枚数は、[HDD CAP] ボタンを押し、[REMAIN] の表示で確認できます。

【HDD残量（コピー可能カード枚数）表】参照。

電源ONの状態でコピー可能なP2カードの枚数を確認する

- 2.4 GBのP2カード使用時：

[HDD CAP] ボタンを1回押してください。[REMAIN] の [E1] が、1秒間橙色点灯し、そのあと以下の【HDD残量（コピー可能カード枚数）表】のように表示します。

- 8 GBのP2カード使用時：

[HDD CAP] ボタンを2回押してください。[REMAIN] の [E1] と [E2] が、1秒間橙色点灯し、そのあと以下の【HDD残量（コピー可能カード枚数）表】のように表示します。

【HDD残量（コピー可能カード枚数）表】

■ : 点灯 □ : 点滅

R : 赤色 G : 緑色

残量 (コピー可能カード枚数)	REMAIN				
	<input type="checkbox"/> E1	<input type="checkbox"/> E2	<input type="checkbox"/> E3	<input type="checkbox"/> E4	<input type="checkbox"/> USB
0	■ R	■ R	■ R	■ R	■ R
1	■ G				
2	■ G	■ G			
3	■ G	■ G	■ G		
4	■ G	■ G	■ G	■ G	
5枚以上	■ G	■ G	■ G	■ G	■ G
フル (未使用時)	□ G	□ G	□ G	□ G	□ G

[REMAIN]の表示が約2秒間表示したあとに消灯します。

コピー操作（つづき）

バッテリーパック残量表示

別売のバッテリーパックの残量を確認することができます。バッテリーパック残量は、[] ボタンを押し、[REMAIN] の表示で確認できます。【バッテリーパック残量表】参照。

低電圧エラーが発生している状態（[ERROR] LEDが赤色点灯、[REMAIN] の[E2] が赤色点滅）のときは、コピー操作できません。[REMAIN] の[E1] が緑色点灯している状態でご使用ください。

また、残量が0（ゼロ）になると、【バッテリーパック残量表】のようにエラー表示をし、すぐに電源をOFFします。充電した別売のバッテリーパックか別売のACアダプターに切り替えてください。

電源ONの状態ですべてのボタンを押す

以下の【バッテリーパック残量表】のように表示します。

【バッテリーパック残量表】

■：点灯 □, ○：点滅
R：赤色 G：緑色

バッテリーパック 残量	REMAIN					○ERROR
	□ E1	□ E2	□ E3	□ E4	□ USB	
100  0	■ G	■ G	■ G	■ G	■ G	
	■ G	■ G	■ G	■ G		
	■ G	■ G	■ G			
	■ G					
	□ R					
	□ R					
	□ R	□ R	□ R	□ R	□ R	○ R

[REMAIN]の表示が約2秒間表示したあとに消灯します。

ノート：

ACアダプター使用時に、100以外のLED表示の状態になる場合がありますが、問題ありません。

P2カードからHDDへのコピー

P2カードから内蔵HDDに、直接データ転送されるので、高速コピーができます。本機の[P2C] LED、[HDD] LEDが点灯中は、本機の電源をOFFしたり、P2カードを取り出さないでください。

別売のバッテリーパックを使用しているときには、コピー操作をする前に、バッテリーパックの残量を確認してください。[REMAIN] の[E1] が赤色点滅のときには充電した別売のバッテリーパックか別売のACアダプターに切り替えてください。

1. 電源ONの状態ですべてのボタンを押す
2. [HDD CAP] ボタンを押し、残量(コピー可能カード枚数)が1枚以上であることを確認する
残量(コピー可能カード枚数)が0枚の場合は、必要なデータを別の記録媒体にバックアップしたあとHDDフォーマットをしてください。(J-12、J-16ページ参照)

コピー操作（つづき）

3. [START] ボタンを2秒以上押す

コピーが開始し、Verifyチェック¹⁾を行います。（[VERIFY]スイッチON時）
コピーの進行状態が、以下のようにLED表示されます。

■：点灯 ■, □, ●：点滅
G：緑色 OR：橙色

進行状態 (%)	COPY STATUS					□P2C	HDD○
	20 □	40 □	60 □	80 □	100% □		
00-19	■G					アクセス 中は ■OR	アクセス 中は ●OR
20-39	■G	■G					
40-59	■G	■G	■G				
60-79	■G	■G	■G	■G			
80-99	■G	■G	■G	■G	■G		
100	■G	■G	■G	■G	■G		

4. [COPY STATUS] LEDすべて緑色点灯していることを確認する

5. [POWER] ボタンを押す

コピーが完了し、[COPY STATUS] LEDが消えます。

ノート：

- すでにコピー済みのP2カード内のデータは、再度コピーをすることはできません。
この場合、[VERIFY]スイッチの設定により、以下の動作を行います。
[VERIFY]スイッチOFF：上記手順3. を実行しても、すぐにコピー進行状態100%の表示になります。
[VERIFY]スイッチON：上記手順3. を実行した場合、コピーは行わずにコピー進行状態40-59%の表示になり、Verifyチェックが実行されます。
- パソコンなどで、P2カード内のデータを編集したり、追加／削除した場合でも、同一データと認識することがあります。この場合、[VERIFY]スイッチの設定により、以下の動作を行います。
[VERIFY]スイッチOFF：上記手順3. を実行しても、すぐにコピー進行状態100%の表示になります。
[VERIFY]スイッチON：上記手順3. を実行した場合、コピーは行わずにコピー進行状態40-59%の表示になり、Verifyチェックが実行され、違うデータとして認識し、Verify NGエラー²⁾で終了します。（☞J-29ページ参照）
- 本機内部温度が高くなると自動的に、コピー速度が遅くなります。この場合 [P2C] LED、[HDD] LEDの点滅も遅くなります。
- コピー中に電源をOFFしたり、P2カードを抜くなどコピーが正常に完了できなかった場合、HDD残量（コピー可能カード枚数）がコピーに失敗したP2カード枚数分減ります。
- [COPY STATUS] LEDがすべて緑色点滅したときは、何も記録されていないP2カードを挿入して、上記手順3. を実行したときです。
- 不良クリップ³⁾が含まれるP2カードは事前に、P2カメラレコーダー等で修復してから本機にてコピーしてください。不良クリップのままコピーすると、コピーされた不良クリップは修復できなくなることがあります。

- 1) P2カードと内蔵HDDに記録されたデータが同一であるかのチェックを行います。
- 2) Verify NGエラーになった場合、HDDパーティション情報欄（☞J-21ページ参照）が“ERROR”になります。この場合、該当のP2カードは再度コピー可能となりますが、“ERROR”となったパーティションはそのまま残ります。
- 3) 記録中にP2カードを抜いたり、電源が切れた場合にできる、記録不具合のクリップです。P2カメラレコーダー等で、サムネール画面を表示したときに黄色い☒マークがついているクリップです。

コピー操作（つづき）

コピーキャンセル

コピーが完了していないときに、コピーを中止することができます。

1. [CANCEL] ボタンを2秒以上押す

[COPY STATUS] LED、[P2C] LED、[HDD] LEDが以下の表示になります。

■：点灯

OR：橙色

COPY STATUS					□P2C	HDD○
20	40	60	80	100%		
■ OR	■ OR	■ OR	■ OR	■ OR	—	—

2. [POWER] ボタンを押す

コピーキャンセルが完了し、[COPY STATUS] LEDが消えます。

ノート：

コピーされたデータは、コピーキャンセルで自動的に削除されます。

フォーマット

P2カードフォーマット

P2カードに記録しているデータをすべて消去できます。

一度フォーマットしたデータは、復元できません。すべて消去してよいか、確認してからフォーマットを行ってください。

本機の [P2C] LEDが点滅中は、本機の電源をOFFしたり、P2カードを取り出さないでください。P2カードが故障する可能性があります。

P2カードの書き込み禁止スイッチが、PROTECT側になっている場合にはフォーマットできません。また、P2カードスロットにP2カードを挿入した状態で、書き込み禁止スイッチを切り換えてもフォーマットできません。

1. 電源ONの状態P2カードスロットに、P2カードを挿入する

2. [P2C] ボタンを2秒以上押す

[COPY STATUS] LED、[P2C] LED、[HDD] LEDが以下の表示になります。

■：点灯

■□：点滅

OR：橙色

COPY STATUS					□P2C	HDD○
20	40	60	80	100%		
■□ OR	■□ OR	■□ OR	■□ OR	■□ OR	■ OR	—

3. 2秒以内に [START] ボタンを押す

[COPY STATUS] LED、[P2C] LED、[HDD] LEDの表示が消えて、P2カードフォーマットが開始すると、[P2C] LEDが橙点滅になり、完了します。

ノート：

手順2. の [COPY STATUS] LED、[P2C] LED、[HDD] LEDが表示されたのち、2秒以内に手順3. の [START] ボタンを押さなければ、P2カードのフォーマットが開始されません。再度、手順2. から操作してください。

フォーマット (つづき)

HDDフォーマット

本機内蔵HDDにコピーしたデータをすべて消去できます。

本機を安定した場所に置いてフォーマットを行ってください。
衝撃や振動を与えると故障の原因になります。
一度フォーマットしたデータは、復元できません。すべて消去してよいか、確認してからフォーマットを行ってください。

本機の [HDD] LEDが点灯中は、本機の電源をOFFしないでください。

1. 電源ONの状態です[HDD] ボタンを2秒以上押す

[COPY STATUS] LED、[P2C] LED、[HDD] LEDが以下の表示になります。

● : 点灯 ■□ : 点滅

OR : 橙色

COPY STATUS					□ P2C	HDD ○
20	40	60	80	100%		
■□ OR	■□ OR	■□ OR	■□ OR	■□ OR	-	● OR

2. 2秒以内に [START] ボタンを押す

[COPY STATUS] LED、[P2C] LED、[HDD] LEDの表示が消えて、内蔵HDDフォーマットが開始すると、[HDD]LEDが橙点滅になり、完了します。

ノート:

- 手順1. の [COPY STATUS] LED、[P2C] LED、[HDD] LEDが表示されたのち、2秒以内に手順2. の [START] ボタンを押さなければ、内蔵HDDのフォーマットが開始されません。再度、手順1. から操作してください。
- 内蔵HDDに自動的に15パーティション作成されます。

動作中の自動電源OFF対応

- 本機は、コピーおよびフォーマットなどの動作をしていない状態が、10分経過すると自動的に電源がOFFします。ご使用になるときは、再度電源をONしてください。
- 本機とパソコンをUSB2.0対応ケーブルで接続しているときは、コピーおよびフォーマットなどの動作をしていない状態で放置されても、自動的に電源はOFFしません。使用しないときは、[POWER] ボタンを2秒以上押して、電源をOFFしてください。
- コピー完了状態やエラー発生後のエラー確認待ちのときは、自動的に電源はOFFしません。

ノート:

P2ストアマネージャー動作設定ページの“自動電源OFFまでの時間”欄で、電源を自動的にOFFするまでの時間を設定できます。

“設定”欄の[OFFしない] / [5分] / [10分] / [15分] / [20分] / [25分] / [30分]から選択できます。初期設定は「10分」です。(☞ J-24ページ参照)

パソコンに接続する

本機とパソコンをUSB2.0対応ケーブルで接続すると、P2カードおよび内蔵HDDのデータを、パソコンにバックアップできます。

■ 動作環境

P2ドライバー、本機専用ドライバー、本機専用アプリケーションソフトウェアは、以下の条件を満たすパソコンでご使用ください。

OS： Windows XP Professional SP2以降
Windows 2000 SP4以降
Macintosh OS X (10.4.2、10.4.6) for PowerPC

USB：USB2.0ポートを装備

ノート：

本機、本機専用ドライバーおよび本機専用アプリケーションソフトウェアは、IntelベースのMac OS Xコンピューターではサポートされていません。

■ インストール

● Windowsの場合：

付属CD-ROM内のP2ドライバーを、パソコンにインストールしてください。
このとき、本機専用アプリケーションソフトウェアも同時にインストールされます。
インストール手順については、付属インストールマニュアルを参照してください。

ノート：

P2ドライバーは、USB2.0対応ケーブルを接続してP2カードに高速アクセスするためのソフトウェアです。

● Macintoshの場合：

本機専用ドライバーと本機専用アプリケーションソフトウェアを以下の手順に従ってインストールしてください。

1. パソコンに付属CD-ROMを挿入する
2. CD-ROM内のMacintoshフォルダーをダブルクリックする
3. AJ-PCS060Gフォルダーをドラッグアンドドロップでデスクトップなどにコピーする
4. AJ-PCS060Gフォルダーの中にあるディスクイメージモジュール“P2StoreDriver.dmg”をダブルクリックする
5. “P2StoreDriver.pkg”をダブルクリックする
インストール画面が表示されますので、画面の指示に従ってインストールを行ってください。

ノート：

本機専用ドライバーがインストールされていないと、パソコンから本機内蔵HDDにアクセスすることができません。

■ アンインストール

● Windowsの場合：

アンインストール手順については、付属インストールマニュアルを参照してください。

● Macintoshの場合：

アンインストールはパソコン上のAJ-PCS060Gフォルダー（P2ドライバーと本機専用アプリケーションソフトウェア）を直接ゴミ箱に移動し、ゴミ箱の中身を消去してください。

パソコンに接続する (つづき)

■ 接続

1. パソコンを起動する

2. 本機とパソコンをUSB2.0対応ケーブルで接続する

3. 本機の [POWER] ボタン を押し、電源をONする

本機のPOWER LEDが緑色に点灯し、本機が接続されたことを自動的に認識します。

ノート：

- ケーブルは市販品のUSB2.0対応ケーブルをご使用ください。必ず、3 m未満のケーブルをご使用ください。ケーブルの長さが3 mを超える場合は正しく動作しません。
- 本機を2台以上パソコンに接続しないでください。
- パソコンから本機への書き込みはできません。
- P2カードおよび内蔵HDDにアクセス中は、P2カードやUSB2.0対応ケーブルを抜かないでください。ご使用のパソコンに異常が発生する可能性があります。
- 本機とパソコンを接続している状態でP2カードを取り出す場合は、J-11ページの“P2カードを取り出す”のノートを参照してください。

Windowsの場合：

- 本機とパソコンをUSB2.0対応ケーブルで接続すると、最大16パーティション（内蔵HDD：15、P2カード：1）が、パソコンに追加されます。（ドライブレターへマウントする場合）
- 追加されたパーティションは、すでに割り当てられているネットワークのドライブと重なる場合があります。重なって見えないパーティションがある場合は、P2ストアマネージャーを使用してフォルダーにマウントしてください。J-22ページの⑤マウント設定ボタンを参照してください。
- J-13ページの“P2カードからHDDへのコピー”操作で使用しないパーティションは、パソコンからアクセスできません。J-21ページの“HDD情報ページ”で割り当てられたドライブレターもしくは指定フォルダーを確認してください。

Macintoshの場合：

- 各パーティションがフォルダーとしてデスクトップに表示されます。
- コピー済みパーティション数とデスクトップ上に表示されるフォルダー数が異なる場合には、接続エラーが発生していますので、パソコンの再起動を行い、再度確認をしてください。

■ 取り外し

1. USB接続の切断処理を行う

- Windows XP Professionalの場合：
タスクトレイにある“ハードウェアの安全な取り外し”アイコンをダブルクリックし、画面の指示に従って“Panasonic P2 series USB Devices”を停止してください。
- Windows 2000の場合：
タスクトレイにある“ハードウェアの取り外しまたは取り出し”アイコンをダブルクリックし、画面の指示に従って“Panasonic P2 series USB Devices”を停止してください。
- Macintoshの場合：
本機接続で表示されたすべてのフォルダーを選択し、画面上部のメニューバーの [ファイル] → [取り出し] を選択して実行するか、もしくはゴミ箱に移動してください。

2. 本機の [POWER] ボタン を2秒以上押して、電源をOFFする

本機のPOWER LEDが消灯します。

3. USB2.0対応ケーブルを抜く

パソコンに接続する（つづき）

■ バックアップ方法について

内蔵HDDに蓄えられた重要なデータを保護するために、パソコンなどにデータの複製を作成することをお勧めいたします。

必ずパソコンの空き容量を確認してからバックアップを行ってください。

Windowsの場合：

- エクスプローラーを使用する場合：

本機各パーティションの最上位フォルダーおよびファイルを選択し、パソコン上の任意のフォルダーにコピーしてください。本機的全パーティションで同じ操作をくり返してください。

- “P2 ビューアー” ソフトウェアを使用する場合：

必要なクリップを選択して、仮想ドライブ設定されたパソコン上の任意のフォルダーにコピーしてください。操作方法については、ソフトウェアの取扱説明書を参照してください。

Macintoshの場合：

- Finderを使用する場合：

デスクトップに表示される各フォルダー（本機各パーティション）をダブルクリックして開き、最上位フォルダーおよびファイルを選択し、パソコン上の任意のフォルダーにコピーしてください。本機的全パーティションで同じ操作をくり返してください。

専用アプリケーションソフトウェアについて

本機専用アプリケーションソフトウェアは、本機（AJ-PCS060G）の状態表示や操作、内蔵HDDの日常点検を行うときに使用するソフトウェアです。

■ 主な機能

1. P2ストアマネージャー

- HDD情報表示

本機内蔵HDDのパーティション情報、自己診断情報などを確認することができます。

- 本機（AJ-PCS060G）の動作設定

本機の自動電源OFFの有効／無効などの動作設定を行うことができます。

- 本機（AJ-PCS060G）のソフトウェアバージョンアップ

弊社ホームページから、本機のソフトウェアをダウンロードして、バージョンアップを行うことができます。

2. Hdd Maintenance

- 内蔵HDDの日常点検

本機（AJ-PCS060G）内蔵HDDの全面アクセスによる状態確認を行うことができます。操作方法については、同梱の「日常点検と定期保守のおすすめ」を参照してください。

P2ストアマネージャーの起動と終了

1. 本機とパソコンをUSB2.0対応ケーブルで接続する

2. 本機の [POWER] ボタンを押し、電源をONする

本機POWER LEDが緑色に点灯し、本機と接続されたことを自動的に認識します。

3. P2ストアマネージャーを起動する

Windows XP Professionalの場合：

[スタート] → [すべてのプログラム] → [Panasonic P2] → [P2ストアマネージャー] を選択します。

Windows 2000の場合：

[スタート] → [プログラム] → [Panasonic P2] → [P2ストアマネージャー] を選択します。

Macintoshの場合：

AJ-PCS060Gフォルダーにある本アプリケーションソフトのアイコンをクリックしてください。

4. P2ストアマネージャーの画面左下 “接続状態： 接続中” 表示になっていることを確認する

本機の状態表示や操作などを行うことができます。(☞ J-21 ページ参照)

5. P2ストアマネージャーを終了する

Windowsの場合：

ウィンドウ右上の  ボタンをクリックします。

Macintoshの場合：

画面上部のメニューバーの [P2ストアマネージャー] → [P2ストアマネージャーを終了] をクリックします。

P2ストアマネージャーの画面について

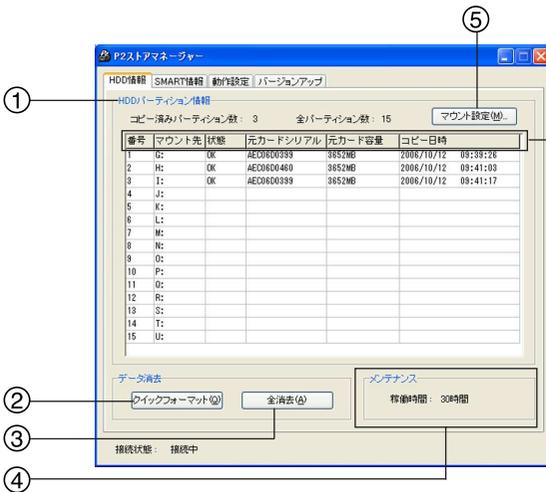
基本の画面説明



- ① ページ切り替えタブ
タブをクリックすると、それぞれのページに切り替わります。
- ② ページ表示領域
本機の情報を表示するための欄や、操作を行うためのボタンなどが表示されます。
- ③ 接続状態表示領域
本機がパソコンに接続されている場合は、“接続状態： 接続中”、接続されていない場合は、“接続状態： 切断”と表示されます。

HDD情報ページ

本機内蔵HDDのパーティション情報確認とフォーマットおよびマウント方式設定ができます。(マウント方式設定は、Windowsの場合のみの機能です。)



- ① HDDパーティション情報欄
P2カードからコピーしたデータのパーティション情報を表示します。

番号	マウント先	状態	元カードシリアル	元カード容量	コピー日時
a	b	c	d	e	f
 - a 番号
パーティション番号を表示します。
 - b マウント先
割り当てられたドライブレター、もしくは指定フォルダー名を表示します。
 - c 状態
パーティション状態を表示します。
“OK”： 正常
“ERROR”： コピーもしくはVerify中に異常が発生した
 - d 元カードシリアル
コピー元のP2カードのシリアルナンバーを表示します。
 - e 元カード容量
コピー元のP2カードの容量（メガバイト単位）を表示します。
 - f コピー日時
コピーした日時を表示します。
- ② クイックフォーマットボタン
内蔵HDDのクイックフォーマットを実行できます。
 1. [クイックフォーマット] ボタンをクリックする
実行してよいかどうかの確認ダイアログが表示されます。
 2. [はい] をクリックする
クイックフォーマットが実行します。^{1), 2)}
(次ページにつづく)

P2ストアマネージャーの画面について (つづき)

③ 全消去ボタン

内蔵HDDの全領域に0を書き込む処理を実行できます。

バッテリーをお使いの場合には、ACアダプターに切り換えてください。

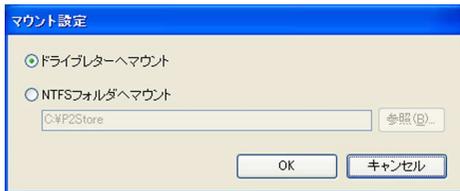
1. [全消去] ボタンをクリックする
実行してよいかどうかの確認と、ACアダプター接続の確認ダイアログが表示されます。
2. [はい] をクリックする
全領域に0を書き込む処理が実行します。^{1)~3)}

④ メンテナンス欄

内蔵HDDの稼働積算時間が表示されます。

⑤ マウント設定ボタン (Windowsの場合のみ)

ドライブレターへのマウントもしくは、指定フォルダーへのマウントを選択できます。
[マウント設定] ボタンをクリックすると以下の画面が表示されます。



● ドライブレターへマウントする場合：

1. [ドライブレターへマウント]を選択する
2. [OK]ボタンをクリックする
3. 画面の指示に従って本機を再起動する

● 指定フォルダーにマウントする場合 ^{4)~12)}：

1. [NTFSフォルダーへマウント]を選択する
マウント先のフォルダーを変更する場合は[参照]ボタンをクリックし、マウント先を指定してください。
2. [OK]ボタンをクリックする
3. 画面の指示に従って本機を再起動する

ノート：

- 1) Macintosh用ソフトでフォーマットした場合には、フォーマット終了後、必ずUSB2.0対応ケーブルの抜き差しなどを行い、全データが消えたことを確認してください。
- 2) [クイックフォーマット] や [全消去] を実行するときは、本機を安定した場所に置いてください。
衝撃や振動を与えると、故障の原因になります。
[クイックフォーマット] や [全消去] を実行すると、内蔵HDD内すべてのデータが消去されます。
必要なデータがある場合には、フォーマットを行うまえに別の記録媒体にバックアップしてください。

3) 全領域に0を書き込む処理は、実行処理時間が45分ほどかかります。必ずACアダプターを接続して実行してください。

4) [NTFSフォルダーへマウント] を選択した場合には、本機内蔵HDDの各パーティションは順番にサブフォルダー“pa01”～“pa15”にマウントされます。指定フォルダー以下にサブフォルダー“pa01”～“pa15”がない場合は自動的に新規作成されます。

5) 指定したNTFSフォルダーは、以下の場合マウントできません。

- サブフォルダー“pa01”～“pa15”が空でないとき
- NTFS (ファイルシステム) でないとき

6) [NTFSフォルダーへマウント] を実行した後に、本機内蔵HDDをフォーマットした場合や8 GB以上のP2カードを本機にコピーした場合には、本機内蔵HDD内のパーティションがサブフォルダー“pa01”～“pa15”に順番にマウントされないことがあります。本機とパソコンを接続するときには、マウント処理を行うことをお勧めします。

7) 本機内蔵HDDのパーティション数が15未満のときにマウント処理を行った後、本機内蔵HDDをフォーマットして再度接続したときには、確認のダイアログが表示されるので、画面の指示に従ってください。

8) 入力フォルダー名が存在しない場合には、確認のダイアログが表示されるので、入力フォルダー名を確認後[はい]をクリックしてください。

9) 本機とパソコンが接続されていないときに、マウント処理後のサブフォルダー“pa01”～“pa15”にアクセスすると、確認のダイアログが表示されることがあります。

10) [NTFSフォルダーへマウント]実行後にパソコンから本機を取り外す場合、取り外し操作で表示される画面には、P2カード部に割り当てられたドライブレター1つのみが表示されます。

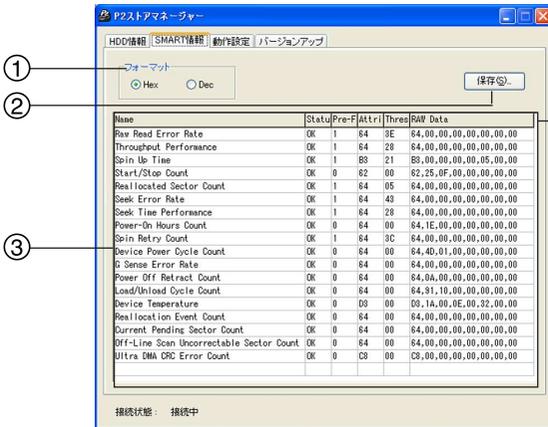
11) [NTFSフォルダーへマウント]実行後のサブフォルダー“pa01”～“pa15”のアイコン表示が異なることがあります。ただし、データへのアクセスには問題ありません。

12) [NTFSフォルダーへマウント]実行後のサブフォルダー“pa01”～“pa15”内のデータをパソコンに複製する場合は、“移動”ではなく“コピー”を行ってください。

P2ストアマネージャーの画面について (つづき)

S.M.A.R.T情報ページ

ハードディスクは故障しやすいので、使用するまえに参考としてS.M.A.R.T (Self-Monitoring, Analysis and Reporting Technology) 情報を確認してください。
異常表示がある場合には、ご購入の販売店にご相談ください。
本機内蔵HDDの自己診断情報を確認できます。



① **フォーマット欄**
自己診断情報の数値表示を、以下のように選択できます。

- 16進表示にしたいとき：[Hex] を選択する
- 10進表示にしたいとき：[Dec] を選択する

② **保存ボタン**

- 自己診断情報を保存できます。
1. [保存] ボタンをクリックする
[名前をつけて保存] ダイアログが表示されます。
 2. ファイル名を入力して [保存] ボタンをクリックする
自己診断情報がテキストファイルで保存されます。

③ **自己診断情報表示欄**

自己診断情報を表示します。

a	b	c	d	e	f
Name	Status	Pre-Fail	Attr	Thresh	RAW Data
Raw Read Error Rate	OK	1	64	3E	64,00,00,00,00,00,00
Throughput Performance	OK	1	64	28	64,00,00,00,00,00,00

a Name

表示されている項目の名称を表示します。

b Status

診断結果を表示します。

- OK：異常なし
- NG：異常あり

c Pre-Failure / Advisory

内蔵HDDの異常を、重要度“1”か“0”で表示します。

- “1”：重要度が高い
- “0”：重要度が低い

重要度が“1”でbの診断結果が“NG”の場合、内蔵HDDに重大な異常が発生していますので、できるだけ早めに販売店にご相談ください。

d Attribute

項目の状態を表す値を表示します。

e Threshold

項目が、OKかNGかを判断する基準値を表示します。

dの状態値が、この欄の値以下になっている場合は、NGと判断されます。

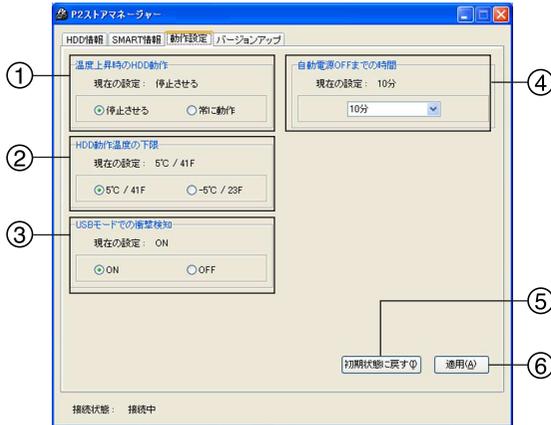
f RAW Data

項目の状態の詳細データを表示します。

P2ストアマネージャーの画面について (つづき)

動作設定ページ

本機の動作設定を確認／変更できます。



① 温度上昇時のHDD動作欄

本機内蔵HDDの温度が、所定温度の上限を超えた場合に、HDD動作を停止させるか、あるいは常に動作させるかを設定できます。

[停止させる] / [常に動作] から選択できます。

初期設定は [停止させる] です。

本機の現在の設定内容が、“現在の設定： ” 欄に表示されます。

設定を変更する場合は、選択後、⑥の [適用] ボタンをクリックしてください。

ノート：

[常に動作] に設定するとHDDの故障要因になる可能性があります。お客様の責任においてご使用ください。

② HDD動作温度の下限欄

本機内蔵HDDの動作が可能な下限温度値を設定できます。

[5℃ / 41 F] / [-5℃ / 23 F] から選択できます。

初期設定は [5℃ / 41 F] です。

本機の現在の設定内容が、“現在の設定： ” 欄に表示されます。設定を変更する場合は、選択後、⑥の [適用] ボタンをクリックしてください。

ノート：

[-5℃ / 23 F] に設定するとHDDの故障要因になる可能性があります。お客様の責任においてご使用ください。

③ USBモードでの衝撃検知欄

本機とパソコンをUSB2.0対応ケーブルで接続しているとき、本機の衝撃検知を有効にするかどうかを[ON] / [OFF]で設定できます。

[ON] (初期設定)：

本機に衝撃が加わると、パソコンとのデータ転送を停止します。

[OFF]：

本機に衝撃が加わっても常にデータ転送を行います。

本機の現在の設定内容が、“現在の設定： ” 欄に表示されます。設定を変更する場合は、選択後、⑥の [適用] ボタンをクリックしてください。

ノート：

[OFF] 設定は [ON] 設定と比べてHDDが故障する可能性が高くなります。

お客様の責任においてご使用ください。

④ 自動電源OFFまでの時間欄

本機がコピーおよびフォーマットなどの動作をしていない状態で放置された場合に、電源を自動的にOFFするまでの時間を設定できます。

[OFFしない] / [5分] / [10分] / [15分] / [20分] / [25分] / [30分] から選択できます。

初期設定は [10分] です。

本機の現在の設定内容が、“現在の設定： ” 欄に表示されます。

設定を変更する場合は、選択後、⑥の [適用] ボタンをクリックしてください。ただし、本機とパソコンを接続しているときは、自動的に電源はOFFしません。

⑤ 初期状態に戻すボタン

①、②、③、④の選択状態を初期状態に戻すことができます。ただし、設定内容は変更されていません。

設定を変更する場合は、⑥の [適用] ボタンをクリックしてください。

⑥ 適用ボタン

①、②、③、④の動作設定内容を、本機に保存できます。

1. [適用] ボタンをクリックする

確認のダイアログが表示されます。

2. [はい] をクリックする

動作設定内容を本機に保存します。

3. 本機を再起動する

ノート：

適用した設定は、本機を再起動した後に有効になります。

P2ストアマネージャーの画面について（つづき）

バージョンアップページ

本機のソフトウェアのバージョンアップを実行できます。



① 本体の状態欄

本機の現在の動作状態を示すモード（通常モード、バージョンアップモード）と実行中のソフトウェアのバージョンとチェックサムが表示されます。

② バージョンアップ欄

本機のソフトウェアのバージョンアップ処理が実行できます。

③ 参照ボタン

[参照] ボタンをクリックし、ダウンロードした本機用のソフトウェアデータを選択できます。

“ファイルのバージョン/チェックサム”欄に、バージョンアップ後のソフトウェアのバージョンチェックサムが表示されます。

④ 実行ボタン

本機のソフトウェアのバージョンアップが実行できます。

バージョンアップ終了まで数分程度かかります。

ノート：

バージョンアップ実行中は、本機の電源をOFFしたり、USB2.0対応ケーブルを抜かないでください。

故障の原因になります。また、バージョンアップを実行するときは、本機を安定した場所に置いて実行してください。

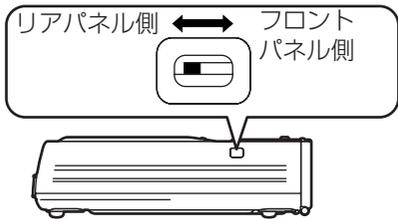
P2ストアマネージャーの画面について (つづき)

バージョンアップ手順

1. 下記のサポートサイトから画面の指示に従って本機用のソフトウェアデータをダウンロードして、任意のフォルダーに解凍する

日本語 http://panasonic.biz/sav/
英語 https://eww.pavc.panasonic.co.jp/pro-av/

2. 本機の電源をOFFする
接続状態表示領域に“接続状態： 切断”が表示されます。
3. 本機側面のスライドスイッチカバーを外し、下図のようにスライドスイッチをフロントパネル側に設定する



4. 本機の電源をONする
接続状態表示領域に“接続状態： 接続中”が表示されます。
5. “本体の状態”欄に“モード：バージョンアップモード”が表示されたことを確認する
“モード：通常モード”になっている場合には、手順3. のスライドスイッチがフロントパネル側になっているか、再度確認してください。
バージョンアップモードのときには、以下のようLED表示されます。

■ : 点灯 ■, ● : 点滅
G : 緑色 OR : 橙色

COPY STATUS					□P2C	HDD○
20	40	60	80	100%		
■ G	■ G	■ G	■ G	■ G	■ OR	● OR

6. [参照] ボタンをクリックする
[ファイルを開く] ダイアログが表示されます。
7. 手順1. でダウンロードした本機用のソフトウェアデータを選択する
“ファイルのバージョン/チェックサム”欄に、バージョンアップ後のソフトウェアのバージョンとチェックサムが表示されます。
“ファイルのバージョン/チェックサム”欄の内容と、“本体のバージョン/チェックサム”欄の内容が、同一の場合には、バージョンアップは必要ありません。手順11.へ進んでください。

8. [実行] ボタンをクリックする
確認のダイアログが表示されます。
9. [はい] ボタンをクリックする
バージョンアップが実行され、終了まで数分程度かかります。
バージョンアップ実行中は、USB2.0対応ケーブルを抜いたり、本機とパソコンの電源をOFFしないでください。
10. バージョンアップ完了のメッセージを確認し [OK] ボタンをクリックする
本機の電源が自動的にOFFします。
Windows2000の場合 [デバイス取り外しの警告] が表示されますが問題ありませんので、[OK] ボタンをクリックしてください。
11. 本機側面のスライドスイッチをリアパネル側に設定し、スライドスイッチカバーを付ける
12. 本機の電源をONする
接続状態表示領域に“接続状態： 接続中”が表示されます。
13. “本体の状態”欄が、“モード：通常モード”表示になっていることを確認する
14. “ファイルのバージョン/チェックサム”欄の内容と、“本体のバージョン/チェックサム”欄の内容が、同一であることを確認する
同一でない場合は、手順2. から再度実行してください。

ノート:

P2カードについての最新情報および本機の動作確認情報は、下記のウェブサイトをご確認ください。

日本語 http://panasonic.biz/sav/
英語 https://eww.pavc.panasonic.co.jp/pro-av/

日本語

ERROR LED表示

本機で発生するエラーは、以下のように表示されます。
 状況を確認して、対応内容に従ってください。

●, ■, — : 点灯 ○, □, ▢ : 点滅
 R : 赤色 OR : 橙色

番号	ERROR	REMAIN				状 況	対 応
		□ E1	□ E2	□ E3	□ E4		
1	● R	■ R				内蔵HDDの温度が動作範囲外である。	電源をOFFし、放熱させてからご使用ください。
2	● R	■ R	■ R				[E2] が点滅している場合はヒーターで暖機運転中です。暖かい場所に移動してください。
3	● R		■ R			電圧が低下している。	バッテリーパックを充電してください。
4	○ R	■ R	■ R	■ R	■ R	電圧が異常に低下している。	バッテリーパックを充電してください。 (この状態ではすぐに電源がOFFします。)
5	● R			■ R	■ R	コピー開始時に、内蔵HDDの残量が不足している。	エラー表示解除後 ¹⁾ 、内蔵HDDをフォーマットしてください。必要なデータがある場合には、フォーマットを行うまえに別の記録媒体にバックアップをしてください。
6	● R		■ R	■ R		コピー開始時に、P2カードが挿入されていない。	エラー表示解除後 ¹⁾ 、P2カードを挿入してコピーをしてください。
7	● R			■ R	■ R	コピー開始時に、振動が発生している。	エラー表示解除後 ¹⁾ 、安定した場所に置いてください。 振動停止後、使用できます。
8	● R			■ R	■ R	コピー開始時に内蔵HDD残量不足、P2カード未挿入、振動などのエラー以外のエラーが発生している。	エラー表示解除後 ¹⁾ 、再度コピーを行ってください。 再度エラーになる場合は、P2カードを交換してコピーを行ってください。
9	● R			■ R		コピー時にエラーが発生している。 (P2カードを抜いた場合以外)	それでもエラーが発生する場合は、ご購入の販売店にご相談ください。
10						P2カードのフォーマットエラーが発生している。 (書き込み保護)	エラー表示解除後 ¹⁾ 、書き込み禁止スイッチをPROTECTの反対側に切り換えてください。 (P.12ページ参照)
11	● R			■ R		修復が必要なクリップがP2カード内にある。	エラー表示解除後 ¹⁾ 、P2カメラレコーダー等で修復してから、ご使用ください。
12						データのフォーマットが規格外です。	エラー表示解除後 ¹⁾ 、再度フォーマットを行ってください。 それでもエラーが発生する場合は、ご購入の販売店にご相談ください。
13						使用できないP2カードが挿入されている。	エラー表示解除後 ¹⁾ 、使用できません。P2カードについては、ご購入の販売店にご相談ください。

1) エラー表示解除は、[POWER] ボタンと [CANCEL] ボタンを同時に押してください。

ERROR LED表示 (つづき)

番号	○ ERROR	REMAIN				状 況	対 応
		□ E1	□ E2	□ E3	□ E4		
14	● R			■ R		P2カードのフォーマットエラーが発生している。(書き込み保護, P2カードを抜いた場合以外)	エラー表示解除後 ¹⁾ 、再度フォーマットを行ってください。再度エラーになるときは、P2カードを交換してフォーマットを行ってください。それでもエラーが発生する場合は、ご購入の販売店にご相談ください。
15	● R		■ R	■ R		内蔵HDDの [クイックフォーマット] エラーが発生している。	内蔵HDDの異常が考えられます。ご購入の販売店にご相談ください。
16	● R			■ R	■ R	内蔵HDDの [全消去] エラーが発生している。	
17	● R		■ R	■ R		内蔵HDDのS.M.A.R.Tエラーが発生している。	内蔵HDDの異常が考えられます。必要なデータがある場合は、エラー表示解除後 ¹⁾ 、別の記録媒体にバックアップをして、ご購入の販売店にご相談ください。
18	● R				■ R	前回コピー失敗で終了していて、そのあとに電源をONすると、エラーが発生する。	エラー表示解除後 ¹⁾ 、再度コピーを行ってください。
19	● R				■ R	前回内蔵HDDの [クイックフォーマット] 失敗で終了していて、そのあとに電源をONすると、エラーが発生する。	再度[クイックフォーマット]を実行してください。
20	● R				■ OR	前回内蔵HDDの [全消去] 失敗で終了していて、そのあとに電源をONすると、エラーが発生する。	再度[全消去]を実行してください。
21	● R	■ R	■ R	■ R	■ R	本機内部エラーが発生し、コピーやフォーマットなどの操作ができない。	本機の異常が考えられます。ご購入の販売店にご相談ください。
22	● R	■ R	■ R	■ R	■ R	バージョンアップ時に、エラーが発生している。	
23	● R	■ R			■ R	補正がされていません。本機内部の調整ができていないため、エラーが発生する。	
24	● R		■ OR			内蔵リチウム電池が消耗している。	ご購入の販売店に連絡してリチウム電池を交換してください。一旦表示されると、リチウム電池を交換しないかぎり、電源ON時に表示されます。
25	● R	■ R	■ R	■ R	■ R	内蔵HDDに管理情報を書き込み中に衝撃検知エラーが発生、もしくはHDDアクセスエラーが発生している。	電源をOFFし、再度電源をONしてください。安定した場所に置いてコピーを行ってください。
26	● R		■ R	■ R	■ R	内蔵HDDの管理情報に異常が発生している。	必要なデータがある場合は、別の記録媒体にバックアップをして、[クイックフォーマット]を実行してください。

1) エラー表示解除は、[POWER] ボタンと [CANCEL] ボタンを同時に押してください。

ERROR LED表示 (つづき)

番号	○ ERROR	REMAIN				状 況	対 応
		□ E1	□ E2	□ E3	□ E4		
27	● R			■ OR		単独Verify機能を実行したとき、Verify NGエラーが発生している。	エラー表示解除後 ¹⁾ 、再度コピーを行ってください。
28	● R			■ OR		前回Verify NGエラーが発生し、確認をしないで終了していて、そのあとに電源をONすると、エラーが発生する。	エラー表示解除後 ¹⁾ 、再度コピーを行ってください。
29				■ OR		内蔵HDDの衝撃検知エラーが発生している。	衝撃が停止後、一定時間で消灯します。

1) エラー表示解除は、[POWER] ボタンと [CANCEL] ボタンを同時に押してください。

番号	○ ERROR	COPY STATUS					状 況	対 応
		20 □	40 □	60 □	80 □	100% □		
30	● R	■ OR	■ OR	■ OR	■ OR	■ OR	P2カードアクセス中に、P2カードを抜いてエラーが発生している。	電源をOFFし、再度電源をONしてください。

修理を依頼される前に

本機の動作がおかしいなと感じたら、一度以下の確認を行ってください。
それでも、異常状態が回復しない場合はご購入の販売店にご相談ください。

症 状	確認内容
[POWER] ボタン を押しても、POWER LEDが点灯しない。	<ul style="list-style-type: none"> ・ バッテリーパックが消耗していませんか？ ・ ACアダプターが正常に接続されていますか？
P2カード挿入後、[START] ボタンを押してもコピーが開始されない。	<ul style="list-style-type: none"> ・ 内蔵HDDにコピーできる残量は残っていますか？ ・ 内蔵HDDの所定温度以上あるいは以下のエラーが表示されていませんか？
[] ボタンを押しても [REMAIN] が表示されない。	<ul style="list-style-type: none"> ・ POWER LEDが緑色に点灯していますか？
[HDD CAP] ボタンを押しても [REMAIN] が表示されない。	<ul style="list-style-type: none"> ・ POWER LEDが緑色に点灯していますか？
本機とパソコンをUSB2.0対応ケーブルで接続しても、パソコンから本機内部のパーティション名がエクスプローラーで見えない。	<ul style="list-style-type: none"> ・ 本機がコピーおよびフォーマットの動作をしていませんか？ ・ パソコンはUSB2.0をサポートしていますか？ ・ パソコンのOSがWindows XP Professional SP2以降あるいはWindows 2000 SP4以降ですか？ ・ 本機とパソコンを正しく接続していますか？ ・ パソコンのHDD/CD-ROMドライブの直後にネットワークドライブを割り当てていませんか？
P2カードのフォーマットができない。	<ul style="list-style-type: none"> ・ 書き込み禁止スイッチがPROTECT側になっていませんか？ ・ P2カードが正常に挿入されていますか？
[POWER] ボタン を押しても、POWER LEDが点滅状態のまま。	<ul style="list-style-type: none"> ・ 5℃以下で電源をONしていませんか？

保証とアフターサービス（よくお読みください）

故障・修理・お取扱い

などのご相談は、まず、

お買い上げの販売店

へ、お申し付けください。

お買い上げの販売店がご不明の場合は、当社（裏表紙）までご連絡ください。

※ 内容により、お近くの窓口をご紹介させていただく場合がございますのでご了承ください。

■ 保証書（別添付）

お買い上げ日・販売店名などの記入を必ずお確かめの上、お買い上げの販売店からお受け取りください。

内容をよくお読み頂いた上、大切に保存してください。

万一、保証期間内に故障を生じた場合には、保証書記載内容に基づき、「無料修理」させていただきます。

保証期間：お買い上げ日から本体1年間

■ 補修用性能部品

当社では、ポータブルハードディスクユニットの補修用性能部品を、製造打ち切り後、6年間保有しています。

※ 補修用性能部品とは、その製品の機能を維持するために必要な部品です。

■ 保守・点検

保守・点検は機器の機能を常に良好な状態に維持し、お客様が安心してご使用していただくためのものです。

部品の劣化、ごみ、ホコリの付着などにより突発的な故障、トラブルを未然に防ぐとともに、安定した機能、性能の維持のために、定期的な保守・点検を推奨いたします。

保守・点検（有料）についての詳しい内容は、お買い上げの販売店にご相談ください。

修理を依頼されるとき

この取扱説明書を再度ご確認の上、お買い上げの販売店までご連絡ください。

◆ 保証期間中の修理は...

保証書の記載内容に従って、修理させていただきます。詳しくは保証書をご覧ください。

◆ 保証期間経過後の修理は...

修理により、機能、性能の回復が可能な場合は、ご希望により有料で修理させていただきます。

ご連絡いただきたい内容	
品名	ポータブルハードディスクユニット
品番	AJ-PCS060G
製造番号	
お買い上げ日	
故障の状況	

定格

電源	: DC7.9 V
消費電流	: 最大時 1.3 A 通常動作 0.8 A

は安全項目です。

動作電源電圧：

バッテリーパック DC7.2 V
(別売品 VW-VBD33、VW-VBD35、
VW-VBD55)
ACアダプター DC7.9 V
(別売品 AG-B15)

環境条件：

使用時	温度	0℃～+40℃ ¹⁾
	湿度	5%RH～85%RH (結露なきこと)
保存時	温度	-20℃～+60℃
	湿度	0%RH～90%RH (結露なきこと)

- 1) HDD保護のため、内部温度が所定温度以下もしくは以上になったときには、エラー表示をして、コピー操作ができない状態になります。

PC動作条件：

動作保証OS
Windows XP Professional SP2以降、
Windows 2000 SP4以降
Macintosh OS X (10.4.2、10.4.6)
for PowerPC
USBインターフェース
USB Ver2.0準拠

ノート：

本機、本機専用ドライバーおよび本機専用アプリケーションソフトウェアは、IntelベースのMac OS Xコンピュータではサポートされていません。

HDD容量：

60 GB

PCカードスロット：

PCMCIA Type II (CardBus準拠) × 1

外形寸法 (幅) × (高さ) × (奥行)：

90 mm × 45 mm × 180.5 mm
(突起部は含まず)

質量：

約650 g

この仕様は、性能向上のため変更することがあります。



This manual was printed
with soy based ink.



この取扱説明書の印刷には、植物性
大豆油インキを使用しています。

Panasonic®

Panasonic Broadcast & Television Systems Company Unit Company of Panasonic Corporation of North America

Executive Office:

One Panasonic Way 4E-7, Secaucus, NJ 07094 (201) 348-7000

EASTERN ZONE:

One Panasonic Way 4E-7, Secaucus, NJ 07094 (201) 348-7196

Southeast Region: (201) 348-7162

WESTERN ZONE:

3330 Cahuenga Blvd W., Los Angeles, CA 90068 (323) 436-3500

Government Marketing Department:

One Panasonic Way 2E-10, Secaucus, NJ 07094 (201) 348-7587

Broadcast PARTS INFORMATION & ORDERING:

9:00 a.m. – 5:00 p.m. (EST) (800) 334-4881/24 Hr. Fax (800) 334-4880

Emergency after hour parts orders (800) 334-4881

TECHNICAL SUPPORT:

Emergency 24 Hour Service (800) 222-0741

Panasonic Canada Inc.

5770 Ambler Drive, Mississauga, Ontario L4W 2T3 (905) 624-5010

Panasonic de Mexico S.A. de C.V.

Av angel Urraza Num. 1209 Col. de Valle 03100 Mexico, D.F. (52) 1 951 2127

Panasonic Puerto Rico Inc.

San Gabriel Industrial Park, 65th Infantry Ave., Km. 9.5, Carolina, Puerto Rico 00630 (787) 750-4300

Professional & Broadcast IT Systems Business Unit Europe Panasonic Marketing Europe GmbH

Hagenauer Str. 43, 65203 Wiesbaden-Biebrich Deutschland Tel: 49-611-235-481

松下电器产业株式会社

日本大阪府门真市大字门真1006番地

Web Site: <http://panasonic.net>

进口商：松下电器(中国)有限公司

北京市朝阳区光华路甲8号和乔大厦C座6层

日本制造

松下電器産業株式会社 システム事業グループ

〒571-8503 大阪府門真市松葉町2番15号 ☎ (06) 6901-1161