

## FEATURES

- *Guaranteed* 200pA max. input offset current
- *Guaranteed* 2nA max. input bias current
- *Guaranteed* 600 $\mu$ A max. supply current
- *Guaranteed* 0.5mV max. offset voltage
- *Guaranteed* 5 $\mu$ V/ $^{\circ}$ C max. drift
- Wide supply voltage range:  $\pm 2$ V to  $\pm 18$ V

## APPLICATIONS

- Integrators
- Transducer amplifiers
- Analog memories
- Light meters

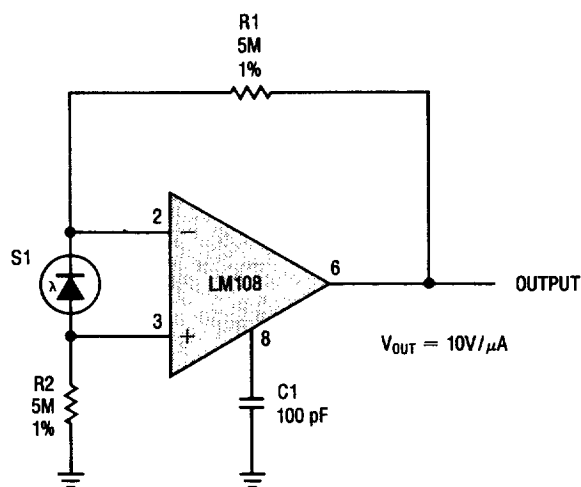
## DESCRIPTION

The LM108 series of precision operational amplifiers are particularly well-suited for high source impedance applications requiring low offset and bias currents as well as low power dissipation. Unlike FET input amplifiers, the offset and bias currents of the LM108 do not change significantly with temperature variations. Advanced design, processing and testing techniques make Linear's LM108 a superior choice over previous devices.

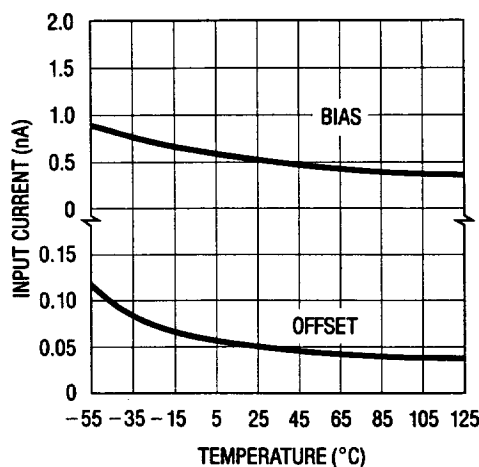
A photodiode sensor application is shown below. For applications requiring higher performance, see the LT1008, and LT1012.

**2**

Amplifier For Photodiode Sensor



Input Currents



## ABSOLUTE MAXIMUM RATINGS

### Supply Voltage

|              |       |
|--------------|-------|
| LM108A/LM108 | ± 20V |
| LM308A/LM308 | ± 18V |

Differential Input Current (Note 1)..... ± 10mA

Input Voltage (Note 2)..... ± 15V

Output Short Circuit Duration..... Indefinite

### Operating Temperature Range

|              |                |
|--------------|----------------|
| LM108A/LM108 | −55°C to 125°C |
| LM308A/LM308 | 0°C to 70°C    |

### Storage Temperature Range

All Devices..... −65°C to 150°C

Lead Temperature (Soldering, 10 sec.)..... 300°C

## PACKAGE/ORDER INFORMATION

|   | ORDER PART NO.                                   |
|---|--|
| <p>TOP VIEW</p> <p>METAL CAN H PACKAGE</p>    | <p>LM108AH<br/>LM108H<br/>LM308AH<br/>LM308H</p> |
| <p>TOP VIEW</p> <p>PLASTIC DIP N8 PACKAGE</p> | <p>LM308AN8<br/>LM308N8</p>                      |

## ELECTRICAL CHARACTERISTICS $\pm 5V \leq V_s \leq \pm 20V$ and $-55^\circ C \leq T_A \leq 125^\circ C$ , unless otherwise noted.

| SYMBOL                              | PARAMETER   | CONDITIONS   | LM108A |        |      | LM108  |      |                  | UNITS |
|-------------------------------------|---|--|--------|--------|------|--------|------|------------------|-------|
|                                     |   |  | MIN    | TYP    | MAX  | MIN    | TYP  | MAX              |       |
| $V_{os}$                            | Input Offset Voltage                                    | $T_A = 25^\circ C$   | ●      | 0.3    | 0.5  | 0.7    | 2.0  | mV               |       |
| $\frac{\Delta V_{os}}{\Delta Temp}$ | Average Temperature Coefficient of Input Offset Voltage |  | ●      | 1.0    | 5.0  | 3.0    | 15   | $\mu V/^\circ C$ |       |
| $I_{os}$                            | Input Offset Current                                    | $T_A = 25^\circ C$   | ●      | 0.05   | 0.2  | 0.05   | 0.2  | nA               |       |
| $\frac{\Delta I_{os}}{\Delta Temp}$ | Average Temperature Coefficient of Input Offset Current |  | ●      | 0.5    | 2.5  | 0.5    | 2.5  | $\mu A/^\circ C$ |       |
| $I_b$                               | Input Bias Current                                      | $T_A = 25^\circ C$   | ●      | 0.5    | 2.0  | 0.5    | 2.0  | nA               |       |
|                                     |   |  | ●      |        | 3.0  |        | 3.0  | nA               |       |
| $A_{VOL}$                           | Large Signal Voltage Gain                               | $T_A = 25^\circ C, V_s \pm 15V, V_{OUT} = \pm 10V, R_L \geq 10k\Omega$ | ●      | 80     | 300  | 50     | 300  | V/mV             |       |
|                                     |   |  | ●      | 40     |      | 25     |      | V/mV             |       |
| CMRR                                | Common Mode Rejection Ratio                             |  | ●      | 96     | 110  | 85     | 100  | dB               |       |
| PSRR                                | Power Supply Rejection Ratio                            |  | ●      | 96     | 110  | 80     | 96   | dB               |       |
|                                     | Input Voltage Range                                     | $V_s = \pm 15V$  | ●      | ± 13.5 |      | ± 13.5 |      | V                |       |
| $V_{OUT}$                           | Output Voltage Swing                                    | $V_s = \pm 15V, R_L = 10k\Omega$                                       | ●      | ± 13   | ± 14 | ± 13   | ± 14 | V                |       |
| $R_{IN}$                            | Input Resistance  | $T_A = 25^\circ C$ (Note 3)  |        | 30     | 70   | 30     | 70   | M $\Omega$       |       |
| $I_s$                               | Supply Current  | $T_A = 25^\circ C$   |        | 0.3    | 0.6  | 0.3    | 0.6  | mA               |       |
|                                     |   | $T_A = 125^\circ C$  |        | 0.15   | 0.4  | 0.15   | 0.4  | mA               |       |

**ELECTRICAL CHARACTERISTICS**  $\pm 5V \leq V_s \leq \pm 15V$  and  $0^\circ C \leq T_A \leq 70^\circ C$ , unless otherwise noted.

| SYMBOL                              | PARAMETER   | CONDITIONS   | LM308A |          |             | LM308    |            |                  | UNITS |
|-------------------------------------|---|--|--------|----------|-------------|----------|------------|------------------|-------|
|                                     |   |  | MIN    | TYP      | MAX         | MIN      | TYP        | MAX              |       |
| $V_{OS}$                            | Input Offset Voltage                                    | $T_A = 25^\circ C$   | ●      | 0.3      | 0.5<br>0.73 | 2.0      | 7.5<br>10  | mV<br>mV         |       |
| $\frac{\Delta V_{OS}}{\Delta Temp}$ | Average Temperature Coefficient of Input Offset Voltage |  | ●      | 2.0      | 5.0         | 6.0      | 30         | $\mu V/^\circ C$ |       |
| $I_{OS}$                            | Input Offset Current                                    | $T_A = 25^\circ C$   | ●      | 0.2      | 1.0<br>1.5  | 0.2      | 1.0<br>1.5 | nA<br>nA         |       |
| $\frac{\Delta I_{OS}}{\Delta Temp}$ | Average Temperature Coefficient of Input Offset Current |  | ●      | 2.0      | 10          | 2.0      | 10         | $\mu A/^\circ C$ |       |
| $I_B$                               | Input Bias Current                                      | $T_A = 25^\circ C$   | ●      | 1.5      | 7.0<br>10   | 1.5      | 7.0<br>10  | nA<br>nA         |       |
| $A_{VOL}$                           | Large Signal Voltage Gain                               | $T_A = 25^\circ C, V_S \pm 15V, V_{OUT} = \pm 10V, R_L \geq 10k\Omega$ | ●      | 80<br>60 | 300         | 25<br>15 | 300        | V/mV<br>V/mV     |       |
| CMRR                                | Common Mode Rejection Ratio                             |  | ●      | 96       | 110         | 80       | 100        | dB               |       |
| PSRR                                | Power Supply Rejection Ratio                            |  | ●      | 96       | 110         | 80       | 96         | dB               |       |
|                                     | Input Voltage Range                                     | $V_S = \pm 15V$  | ●      | $\pm 14$ |             | $\pm 14$ |            | V                |       |
| $V_{OUT}$                           | Output Voltage Swing                                    | $V_S = \pm 15V, R_L = 10k\Omega$                                       | ●      | $\pm 13$ | $\pm 14$    | $\pm 13$ | $\pm 14$   | V                |       |
| $R_{IN}$                            | Input Resistance  | $T_A = 25^\circ C$ (Note 3)  |        | 10       | 40          | 10       | 40         | M $\Omega$       |       |
| $I_S$                               | Supply Current  | $T_A = 25^\circ C$   |        | 0.3      | 0.8         | 0.3      | 0.8        | mA               |       |

2

The ● denotes the specifications which apply over the full operating temperature range.

For MIL-STD components, please refer to LTC 883 data sheet for test listing and parameters.

**Note 1:** Differential input voltages greater than 1V will cause excessive current to flow through the input protection diodes unless current limiting resistance is used.

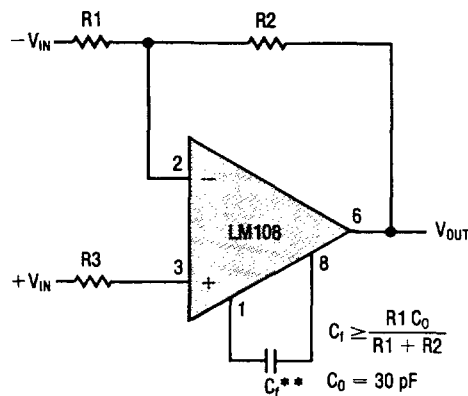
**Note 2:** For supply voltages less than  $\pm 15V$ , the maximum input voltage is equal to the supply voltage.

**Note 3:** Guaranteed by design.

**TYPICAL APPLICATIONS**

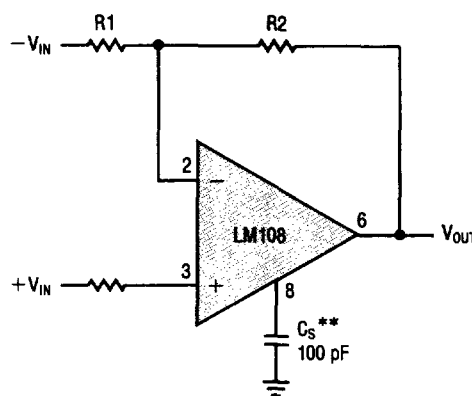
**COMPENSATION CIRCUITS**

**Standard Compensation Circuit**



\*\* BANDWIDTH AND SLEW RATE ARE PROPORTIONAL TO  $1/C_1$

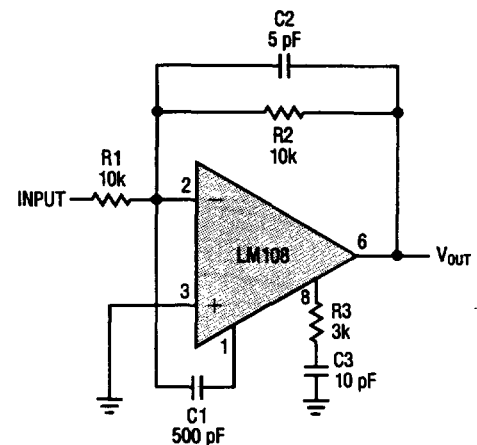
**Alternate\* Frequency Compensation**



\* IMPROVES REJECTION OF POWER SUPPLY NOISE BY A FACTOR OF TEN.

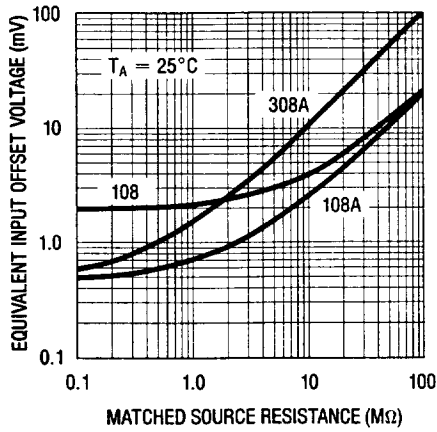
\*\* BANDWIDTH AND SLEW RATE ARE PROPORTIONAL TO  $1/C_S$

**Feedforward Compensation**

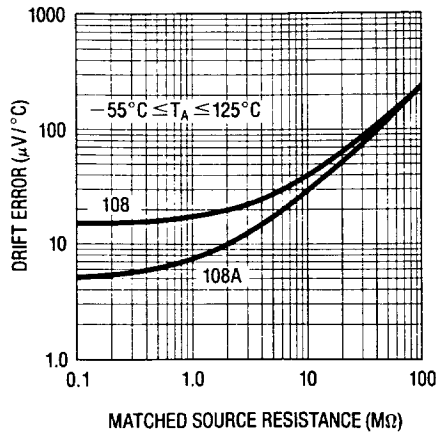


# TYPICAL PERFORMANCE CHARACTERISTICS

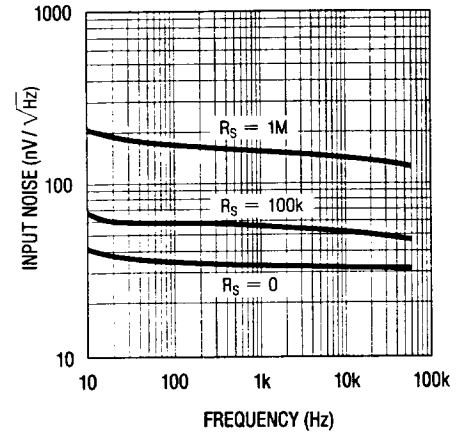
**Guaranteed Offset Error**



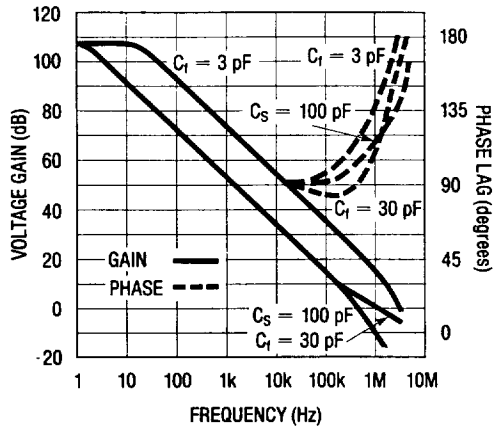
**Guaranteed Drift Error**



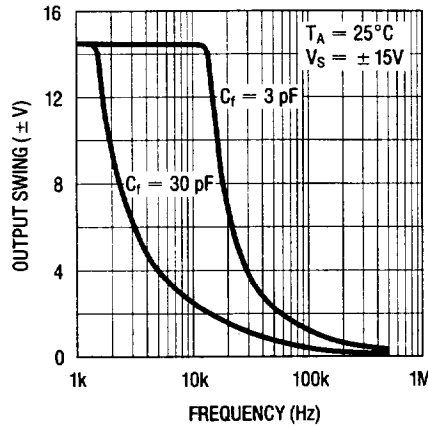
**Input Noise Voltage**



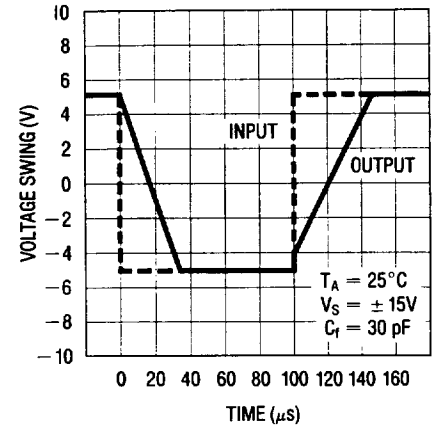
**Open Loop Frequency Response**



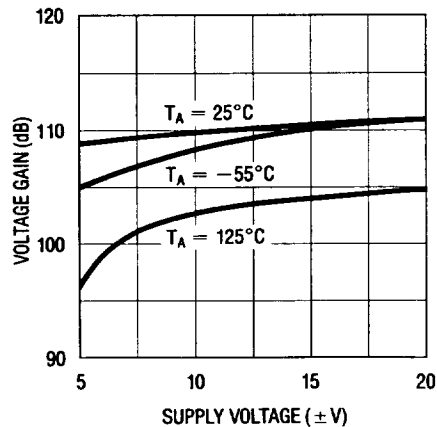
**Large Signal Frequency Response**



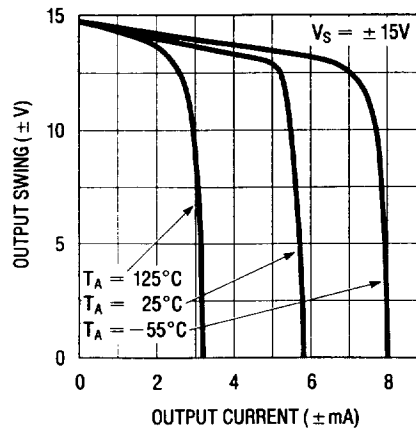
**Voltage Follower Pulse Response**



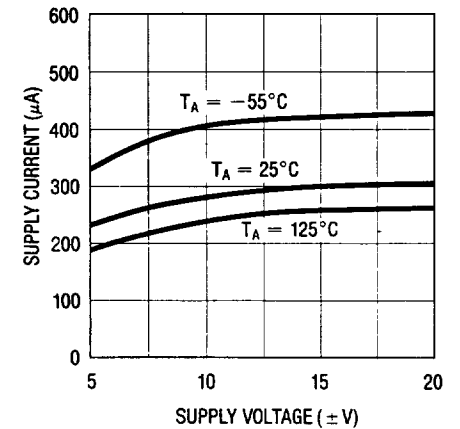
**Voltage Gain**



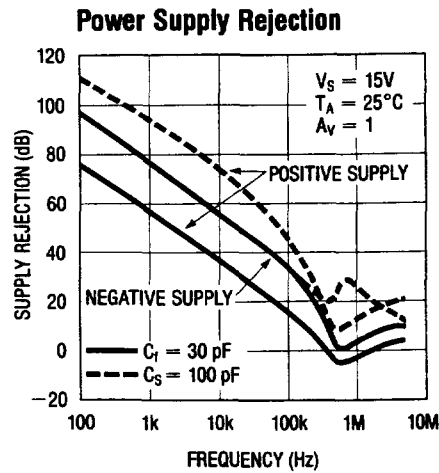
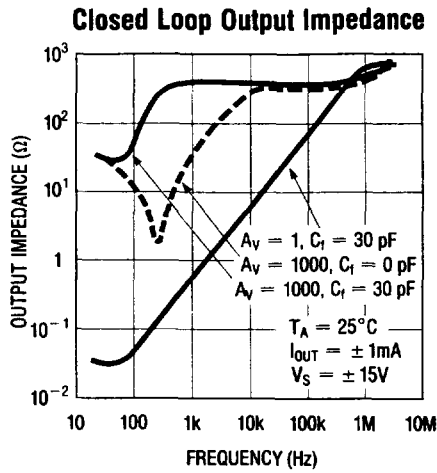
**Output Swing**



**Supply Current**

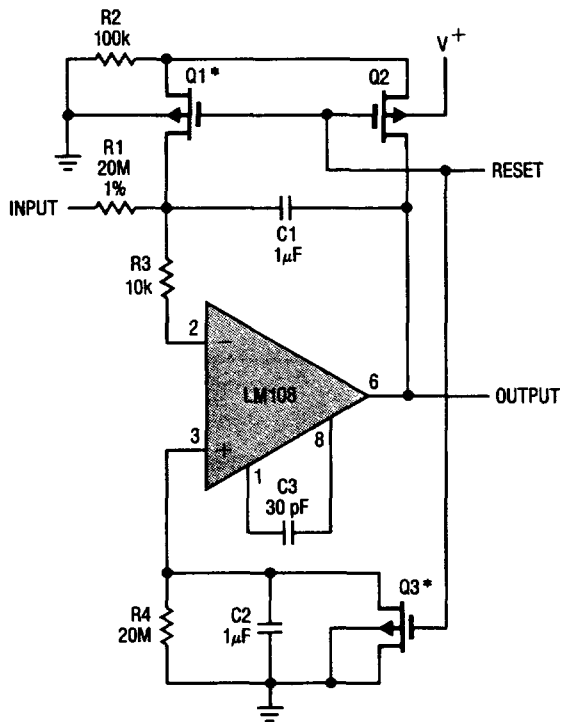


# TYPICAL PERFORMANCE CHARACTERISTICS



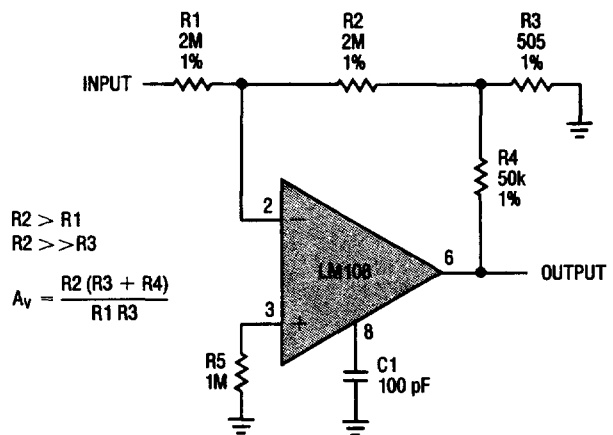
# TYPICAL APPLICATIONS

### Low Drift Integrator With Reset



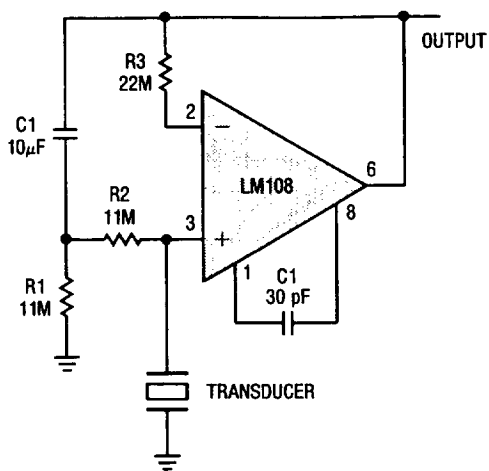
\* Q1 AND Q3 SHOULD NOT HAVE INTERNAL GATE-PROTECTION DIODES.

### Inverting Amplifier With High Input Resistance

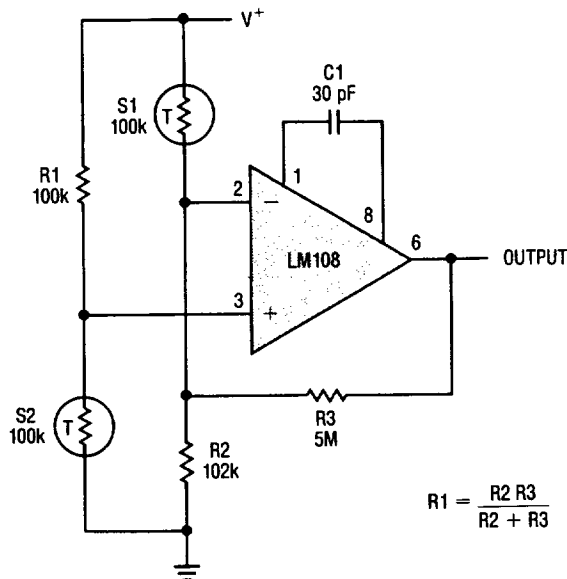


# TYPICAL APPLICATIONS

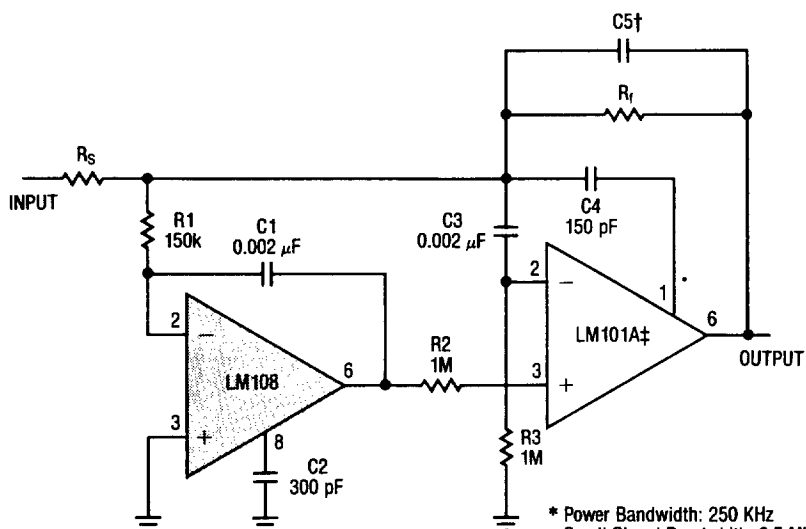
**Amplifier For Piezoelectric Transducers**



**Amplifier For Bridge Transducers**



**Fast\* Summing Amplifier**

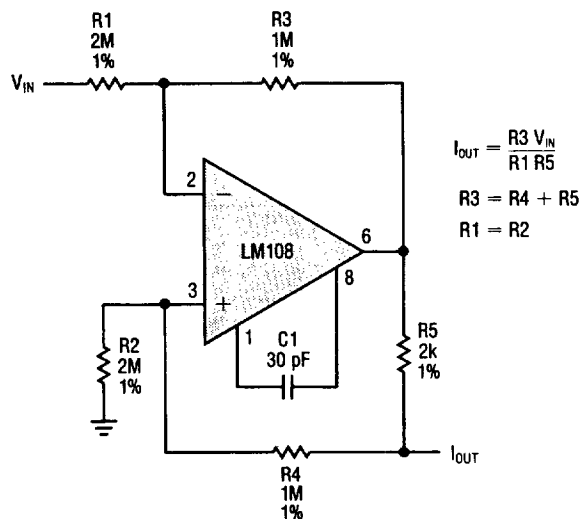


\* Power Bandwidth: 250 KHz  
Small Signal Bandwidth: 3.5 MHz  
Slew Rate: 10V/µS

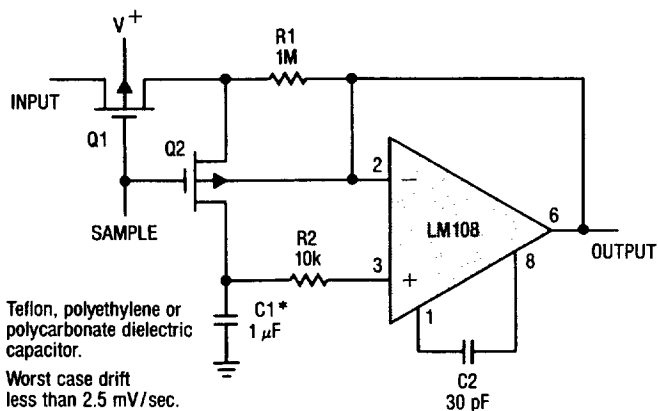
$$†C5 = \frac{6 \times 10^{-8}}{R_f}$$

‡ In addition to increasing speed, the LM101A raises high and low frequency gain, increases output drive capability and eliminates thermal feedback.

**Bilateral Current Source**



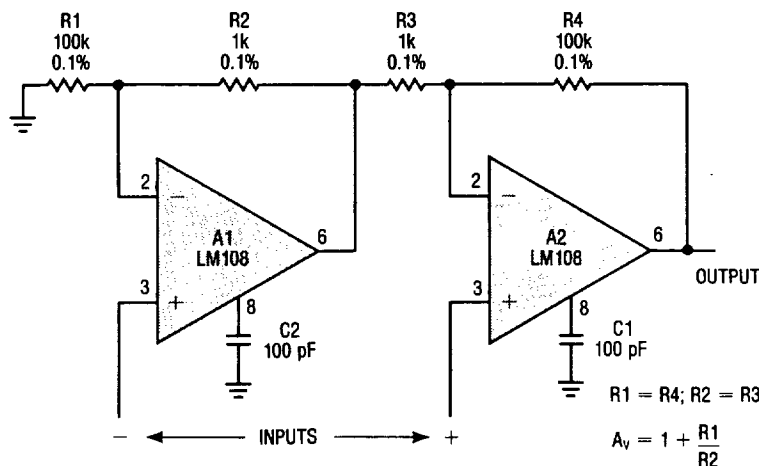
**Sample and Hold**



\* Teflon, polyethylene or polycarbonate dielectric capacitor.

Worst case drift less than 2.5 mV/sec.

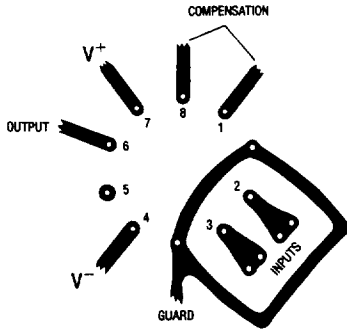
**Differential Input Instrumentation Amplifier**



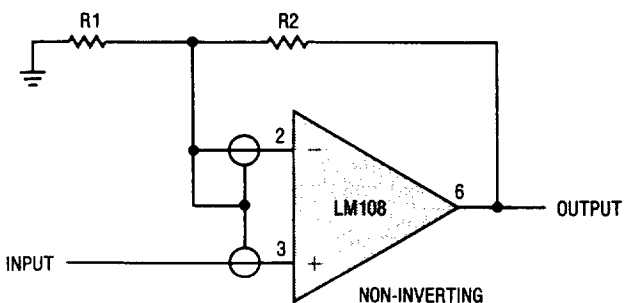
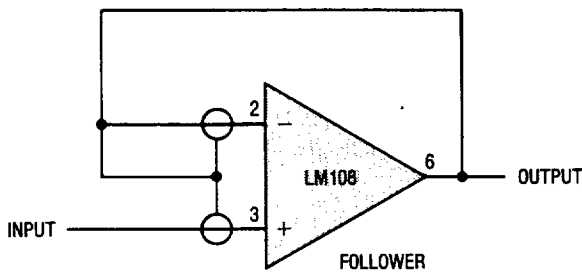
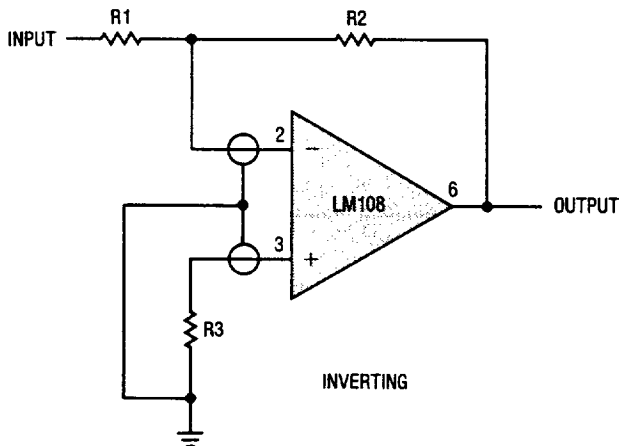
## APPLICATIONS INFORMATION

### Input guarding

Input guarding is used to reduce surface leakage. Guarding both sides of the board is required. Bulk leakage reduction is less and depends on the guard ring width.

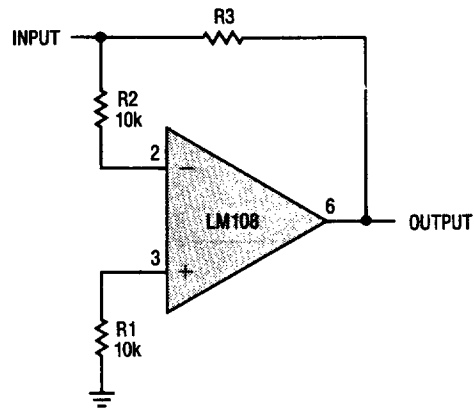


The guard ring is connected to a low impedance point at same potential as the sensitive input leads. Connections for various op amp configurations are shown below.

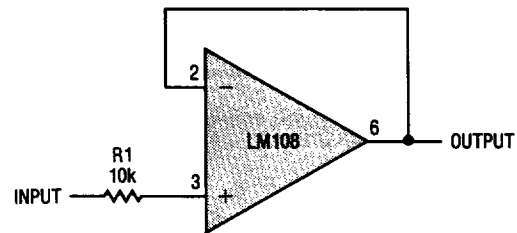


### PN Input protection

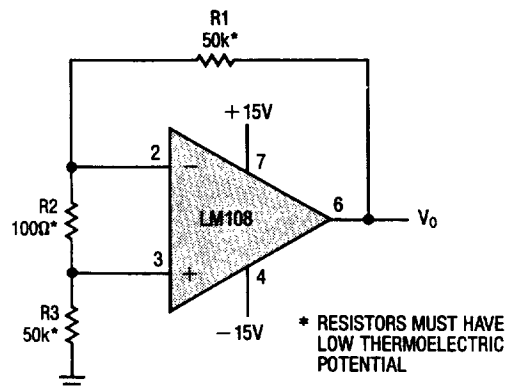
Current is limited by R2 even when input is connected to a voltage source outside the common mode range. If one supply reverses, current is controlled by R1. These resistors do not affect normal operation.



PN The input resistor controls the current when the input exceeds the supply voltages, when the power for the op amp is turned off, or when the output is shorted.



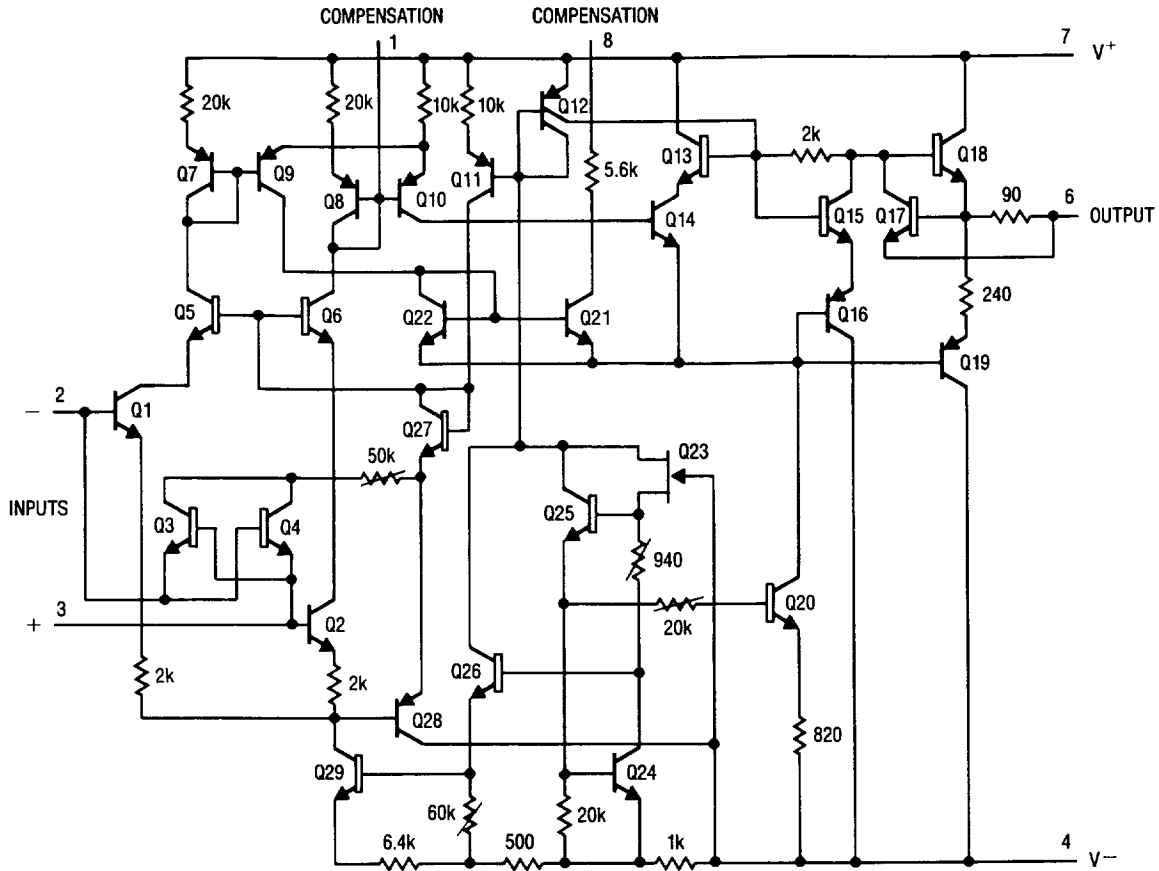
### Offset Voltage Test Circuit †



$$A_v = 1000$$

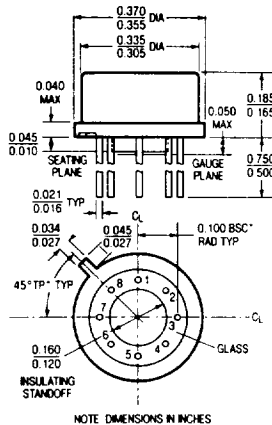
† THIS CIRCUIT IS ALSO USED AS THE BURN-IN CONFIGURATION WITH SUPPLY VOLTAGES EQUAL TO  $\pm 20V$ ,  $R1=R3=10k$ ,  $R2=200\Omega$ ,  $A_v=100$ .

# SCHEMATIC DIAGRAM



# PACKAGE DESCRIPTION

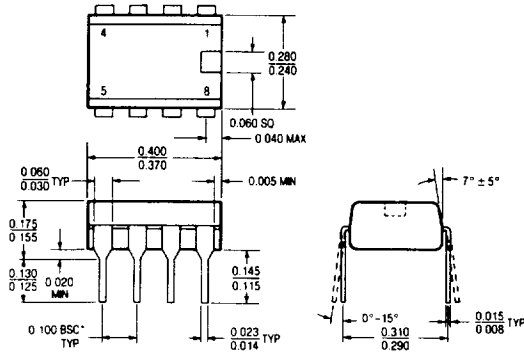
**H Package  
Metal Can**



NOTE DIMENSIONS IN INCHES

|            |               |               |
|------------|---------------|---------------|
| $T_{jmax}$ | $\theta_{ja}$ | $\theta_{jc}$ |
| 150°C      | 150°C/W       | 45°C/W        |

**N8 Package  
8 Lead Plastic**



NOTE DIMENSIONS IN INCHES UNLESS OTHERWISE NOTED.  
\*LEADS WITHIN 0.007 OF TRUE POSITION (TP) AT GAUGE PLANE.

|            |               |
|------------|---------------|
| $T_{jmax}$ | $\theta_{ja}$ |
| 100°C      | 130°C/W       |