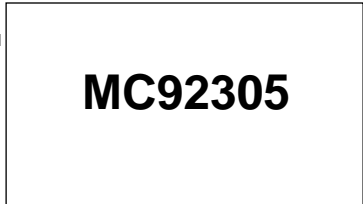


SEMICONDUCTOR TECHNICAL DATA



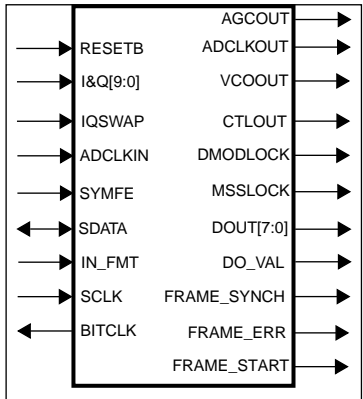
Product Preview

16/32/64/128/256 QAM RECEIVER AND REED-SOLOMON DECODER

The MC92305 is a high performance digital demodulator/decoder optimized for demodulation and block error correction of QAM signals used in Digital Video Broadcast by Cable (DVB-C) and DAVIC 1.0 compliant applications.

Feature Summary

- Single A/D IF interface
- Maximum signaling rate of 7Mbaud (42Mbits/sec for 64 QAM and 56Mbits/sec for 256 QAM)
- DVB compliant QAM Coherent Demodulator
- Transversal/Decision Feedback adaptive equalizer
- No external components or control required
- Micro-reflection cancellation up to 1.4μs
- Nyquist baseband filtering ($\alpha=0.15$)
- 1-bit $\Sigma\Delta$ control outputs for AGC, VCO and optional external NCO
- Programmable De-Interleaving For MPEG Transport Packets
- DVB Compliant (204,188,16) Reed Solomon Decoding
- DVB Compliant PRBS Descrambling
- 0.5 micron CMOS, 3.3V technology
- I²C Interface for control/monitoring of system



Ordering Information

Device	Package
MC92305CD	80QFP

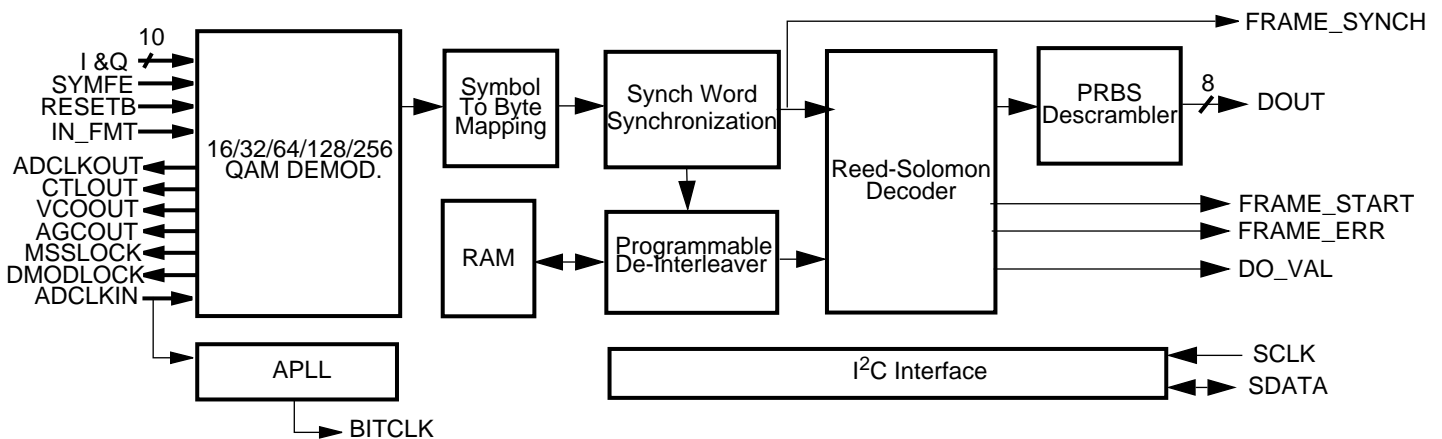


Figure 1. MC92305 Block Diagram

This document contains information on a product under development. Motorola reserves the right to change or discontinue this product without notice.



Demodulator Interface

The MC92305 is interfaced to a single 8-bit (10-bit for 256 QAM) A/D converter which is clocked at 4 times the symbol rate (4Rs). A pin-programmable input format selector allows the use of A/D converters which produce output samples in either offset binary or 2's complement format.

The demodulator function performs all required signal processing to extract the I and Q symbols from the received data stream. Fully internal digital clock recovery/synchronization, Nyquist filtering and LTE/DFE adaptive equalization are employed to recover symbol information in the presence of channel noise and micro-reflections. The equalizer is able to converge with random received data and no special training sequence is required.

Single-bit (Sigma-Delta converted) outputs are provided for automatic gain control (AGC) and A/D voltage controlled oscillator (VCO) feedback functions within the external IF circuitry.

The demodulator carrier tracking loop is capable of locking to signals which contain moderate frequency offsets (0.06Rs) from the specified IF frequencies. The carrier tracking loop is normally closed digitally, using an internal numerically controlled oscillator (NCO) but a single bit control output is also provided for closing the loop through an external VCO.

External signals indicate when the demodulator has successfully acquired the data stream and recovered the data clock (MSSLOCK), and when the received symbols are consistently below a programmable error threshold (DMODLOCK).

Symbol To Byte Mapping

The received symbols are mapped into bytes according to the DVB/Davic 1.0 specifications. An internal I²C register can be used to select an alternative de-coding scheme which is specified as a mask programmable option.

Sync Word Synchronization.

After demodulation of the received data, the byte stream is examined for MPEG synchronization (inverted and non-inverted) bytes and when the number detected exceeds programmable thresholds, the received byte stream is recognized as valid MPEG data. FRAME_SYNC is asserted when the programmed number of synchronization bytes have been recognized. FRAME_START is asserted for one byte width at the start of each MPEG frame.

De-Interleaving

After synchronization with the MPEG framing structure the data stream is convolutionally de-interleaved. To obtain the maximum data throughput (i.e. minimum latency) under various channel SNR's the de-interleaver can be programmed.

Table 1 describes the usable parameter settings with varying delay (latency) and burst (error correction). N is the block size in bytes, DEPTH is the number of paths in the de-interleaver and INC is the increment (in bytes) in which data is moved through the de-interleaver paths. DELAY is defined as the latency (in bytes) in the de-interleaver (after frame synchronization has been achieved) and BURST is defined as the maximum number of bytes that can be affected by bursty noise before more than eight bytes are corrupted in a de-interleaved MPEG frame. Minimum burst error correction of 8 bytes is guaranteed by the Reed Solomon decoder.

Table 1. De-Interleaver Configurations

N	Depth	Inc	Delay	Burst
1	1	1	0	8
204	4	51	612	30
204	6	34	1020	44
102	17	6	1632	54
204	12	17	2244	86

The operation of the de-interleaver is software configurable via the I²C interface during system operation.

Reed Solomon Decoding

The Reed Solomon decoder block implements a shortened Reed-Solomon decoder with field generator polynomial $X^8 + X^4 + X^3 + X^2 + 1$ as per the DVB specification.

The decoder is able to correct up to 8 byte errors in each received packet. Following error correction the Reed Solomon decoder outputs the MPEG packets and asserts the DO_VAL output for each byte output (50% duty cycle per byte).

If the error correcting ability of the Reed Solomon decoder is exceeded (more than 8 byte errors in a single packet), the original, uncorrected, data is output and the DO_VAL output is not asserted. The FRAME_ERR signal is asserted for the duration of the uncorrected MPEG frame.

PRBS Descrambling

The error corrected data from the Reed Solomon decoder is de-randomized using a PRBS generator with polynomial $1 + X^{14} + X^{15}$. The PRBS generator is initialized every 8 MPEG transport packets with the value 100101010000000 as per the DVB specification.

I²C Interface

In accordance with the I²C specification, the I²C master (host microprocessor) initiates all data transfers to and from the demodulator and provides the I²C clock. Data is always transferred one byte at a time, MSB first, and the receiver must acknowledge each byte by pulling the data line low during the cycle following the LSB (acknowledge cycle). The demodulator interprets the byte following its slave address as an 8-bit sub-address which selects a particular register to be written to or read from. The I²C data pin is bidirectional and is driven by an open-drain output in the MC92305. External pull-up resistors are required to implement the wired-AND function on each of these signals, per the I²C bus specification.

ΣΔ Interfaces

The single-bit outputs which interface to analog circuits are VCOOUT, AGCOUT and CTLOUT. These are the loop filter outputs for the MSS symbol sync, AGC and Carrier Tracking Loop, respectively. The digital sigma-delta converters which drive these outputs have programmable output sampling rates up to a maximum of 4.0Rs. The bandwidths of each of these loops and the output sampling rates of the loops (input sampling rates of the sigma-delta converters) are programmable. The sigma-delta output sampling rates should be commensurate with the loop bandwidths and loop output sampling rates selected.

Pin-Programmable Interfaces

A variety of functions are selectable by hard-wiring MC92305 pins to VDD or VSS, rather than via the I²C interface. These fall in the category of functions which will seldom be changed once a particular application circuit is debugged and functioning correctly. The pin programmable features are:

- IQSWAP - Swap internal I and Q data paths
- IN_FMT - Specify A/D output data format (two's complement or offset binary)
- SYM_FE - specify which edge of the output symbol clock is to be aligned with the symbols.
- TSTMODE - Used during production testing of the device but can also be used to disable and bypass certain of the functions in the MC92305.

Software-Configurable Items

The command interfaces can address a variety of internal registers to configure most critical demodulator and decoder parameters. These include: all loop bandwidths, equalizer tap values and equalizer control (load taps and adapt, load taps and freeze, adapt without loading and freeze without loading), the filter coefficients of the receive lowpass filter, the lock detector thresholds for MSS lock and Carrier lock, the center tap fixed gain adjustment, the NCO frequency preset, software reset (which performs the same function as the hardware power-on reset), upper and lower limits on the NCO frequency and, input and output sampling rates of each digital sigma-delta converter.

Software-Readable Items

All of the software-configurable registers are also readable. This is intended to allow the host to interrogate the demodulator prior to changing parameters. There are also a number of demodulator registers which are read-only and are intended to provide useful demodulator status information to the host for monitoring and debugging purposes. These include: NCO frequency (which provides an indirect measurement of the frequency error in the channel tuner and modem local oscillators), AGC control value (an indicator of received signal power), constellation variance (an indicator of received energy per symbol to noise power spectral density) Es/No, (used in generating the carrier lock detect signal) and, MSS control value (which provides an indirect measurement of baud rate error and is used in generating the MSS lock detect signal).

Pin Description

Table 2. MC92305 Pin Description

SIGNAL	Type	FUNCTIONALITY
RESETB	Input	Power On Reset
I[9:0] & Q[9:0]	Input	IF I & Q Symbol Input
ADCLKIN	Input	Input Clock (4Rs)
IN_FMT	Input	Input Format Selection
IQSWAP	Input	Interchanges I and Q
SYMFE	Input	Data to Clock Edge Relationship Control
BITCLK	Output	Data Output Clock
AGCOUT, VCOOUT, CTLOUT	Output	AGC, MSS and Carrier Tracking Loop Control
ADCLKOUT	Output	A/D Clock Output (4Rs)
DMODLOCK	Output	Carrier and Equalizer Lock Detection
MSSLOCK	Output	Carrier Lock Detection
SCLK	Output	Symbol Clock Output
DOUT[7:0]	Output	Decoded Output Data
DO_VAL	Output	Data Output Valid
FRAME_START	Output	MPEG Frame Start Indicator
FRAME_SYNCH	Output	MPEG Frame Synchronizer Lock Detection
FRAME_ERR	Output	Uncorrected Reed Solomon Errors Indicator
SDATA	I/O	Data Bus of I ² C-interface
SCLK	I/O	Clock Line of I ² C-interface

Motorola reserves the right to make changes without further notice to any products herein. Motorola makes no warranty, representation or guarantee regarding the suitability of its products for any particular purpose, nor does Motorola assume any liability arising out of the application or use of any product or circuit, and specifically disclaims any and all liability, including without limitation consequential or incidental damages. "Typical" parameters which may be provided in Motorola data sheets and/or specifications can and do vary in different applications and actual performance may vary overtime. All operating parameters, including "Typicals" must be validated for each customer application by customer's technical experts. Motorola does not convey any license under its patent rights nor the rights of others. Motorola products are not designed, intended, or authorized for use as components in systems intended for surgical implant into the body, or other applications intended to support or sustain life, or for any other application in which the failure of the Motorola product could create a situation where personal injury or death may occur. Should Buyer purchase or use Motorola products for any such unintended or unauthorized application, Buyer shall indemnify and hold Motorola and its officers, employees, subsidiaries, affiliates, and distributors harmless against all claims, costs, damages, and expenses, and reasonable attorney fees arising out of directly or indirectly, any claim of personal injury or death associated with such unintended or unauthorized use, even if such claim alleges that Motorola was negligent regarding the design or manufacture of the part. Motorola and b are registered trademarks of Motorola, Inc. Motorola, Inc. is an Equal Opportunity/Affirmative Action Employer.

How to reach us:

USA/EUROPE/Locations Not Listed: Motorola Literature Distribution;
P.O. Box 20912; Phoenix, Arizona 85036. 1-800-441-2447 or 602-303-5454

JAPAN: Nippon Motorola Ltd.; Tatsumi-SPD-JLDC, 6F Seibu-Butsuryu-Center,
3-14-2 Tatsumi Koto-Ku, Tokyo 135, Japan. 03-81-3521-8315

MFAX: RMFAX0@email.sps.mot.com -TOUCHTONE (602) 244-6609
INTERNET: http://Design-NET.com

ASIA/PACIFIC: Motorola Semiconductors H.K. Ltd.; 8B Tai Ping Industrial Park,
51 Ting Kok Road, Tai Po, N.T., Hong Kong. 852-26629298