

SG070001

安森美 AC-DC 稳压器 DC-DC 转换器 选型指南

Rev 1.00 Date: 2008/12/21

选型指南

文件信息

| 类别 | 内容 |
|-----|--------------------------------------|
| 关键词 | AD-DC, DC-DC, 安森美半导体, 广州周立功单片机发展有限公司 |
| 摘要 | 广州周立功单片机发展有限公司为您全系列的 MCU 外围器件选型服务。 |

<http://www.zlgmcu.com>

广州周立功单片机发展有限公司



技术支持

如果您对文档有所疑问，您可以在办公时间（星期一至星期五上午 8:30~11:50；下午 1:30~5:30；星期六上午 8:30~11:50）拨打技术支持电话或 E-mail 联系。

网 址： www.zlgmcu.com

联系电话： +86 (020) 22644358 22644359 22644360 22644361

E-mail: zlgmcu.support@zlgmcu.com

销售与服务网络

广州周立功单片机发展有限公司

地址：广州市天河北路 689 号光大银行大厦 12 楼 F4 邮编：510630

电话：(020)38730972 38730976 38730916 38730917 38730977

传真：(020)38730925

网址：<http://www.zlgmcu.com>

广州专卖店

地址：广州市天河区新赛格电子城 203-204 室

电话：(020)87578634 87569917

传真：(020)87578842

南京周立功

地址：南京市珠江路 280 号珠江大厦 2006 室

电话：(025)83613221 83613271 83603500

传真：(025)83613271

北京周立功

地址：北京市海淀区知春路 113 号银网中心 A 座 1207-1208 室（中发电子市场斜对面）

电话：(010)62536178 62536179 82628073

传真：(010)82614433

重庆周立功

地址：重庆市石桥铺科园一路二号大西洋国际大厦（赛格电子市场）1611 室

电话：(023)68796438 68796439

传真：(023)68796439

杭州周立功

地址：杭州市天目山路 217 号杭州电子科技大楼 502 室

电话：(0571)28139611 28139612 28139613

传真：(0571)28139621

成都周立功

地址：成都市一环路南二段 1 号数码同人港 401 室（磨子桥立交西北角）

电话：(028)85439836 85437446

传真：(028)85437896

深圳周立功

地址：深圳市深南中路 2070 号电子科技大厦 C 座 4 楼 D 室

电话：(0755)83781788（5 线）

传真：(0755)83793285

武汉周立功

地址：武汉市洪山区广埠屯珞瑜路 158 号 12128 室（华中电脑数码市场）

电话：(027)87168497 87168297 87168397

传真：(027)87163755

上海周立功

地址：上海市北京东路 668 号科技京城东座 7E 室

电话：(021)53083452 53083453 53083496

传真：(021)53083491

西安办事处

地址：西安市长安北路 54 号太平洋大厦 1201 室

电话：(029)87881296 83063000 87881295

传真：(029)87880865

目 录

| | |
|---|----|
| 安森美 AC-DC稳压器 DC-DC转换器 选型指南..... | 1 |
| 1.1 常见电源拓扑..... | 1 |
| 1.2 AC-DC 离线稳压器 (offline regulator) | 2 |
| 1.3 DC-DC转换器 (DC-DC Converter) | 7 |
| 1.3.1 高效率DC-DC转换器的特点 | 7 |
| 1.3.2 选型安森美的DC-DC转换器 | 7 |
| A.1 版本信息..... | 14 |
| A.2 版权声明..... | 14 |

安森美 AC-DC 稳压器 DC-DC 转换器 选型指南

1.1 常见电源拓扑

随着芯片设计行业的发展，市面上可以找到各种类型的电源器件。有些工程师在选型时往往被一些名词混淆，HalfBridge、FullBridge、Buck、Boost、FlyBack 等等，这些名词究竟在哪些方面存在差异，希望以下内容对大家选型有所帮助。

图 1 列出了 FlyBack、Forward、HalfBridge、PushPull、FullBridge 型电源稳压器的拓扑结构，这几种模式多出现在 AC-DC 转换器中，能提供较大的功率。从图中我们可以看出几种模式中，FullBridge 可提供最大的功率。

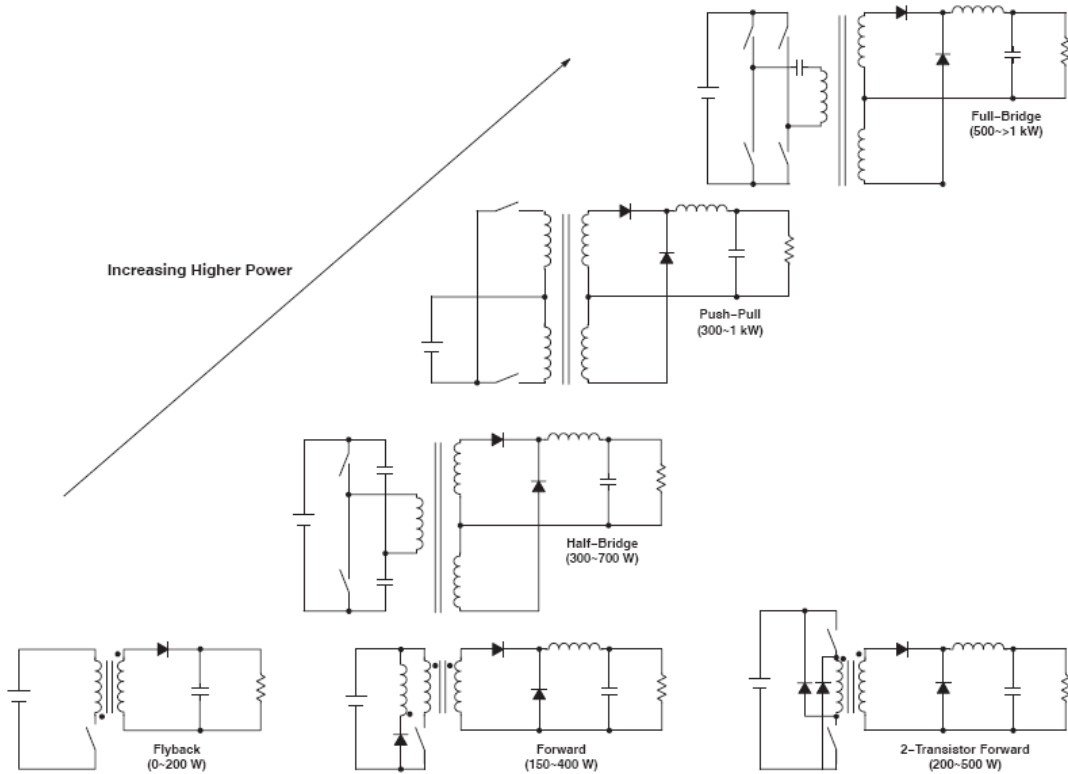


图 1 常见 AC-DC 拓扑结构图

图 2 给出了 Buck、Boost、Buck-Boost、Flyback 等拓扑结构，这几种模式结构简单，能提供较高的电源转换效率，大多出现于 DC-DC 转换器中。其中 Buck 型多用于降压转换电路，Boost 型多用于升压转换电路。

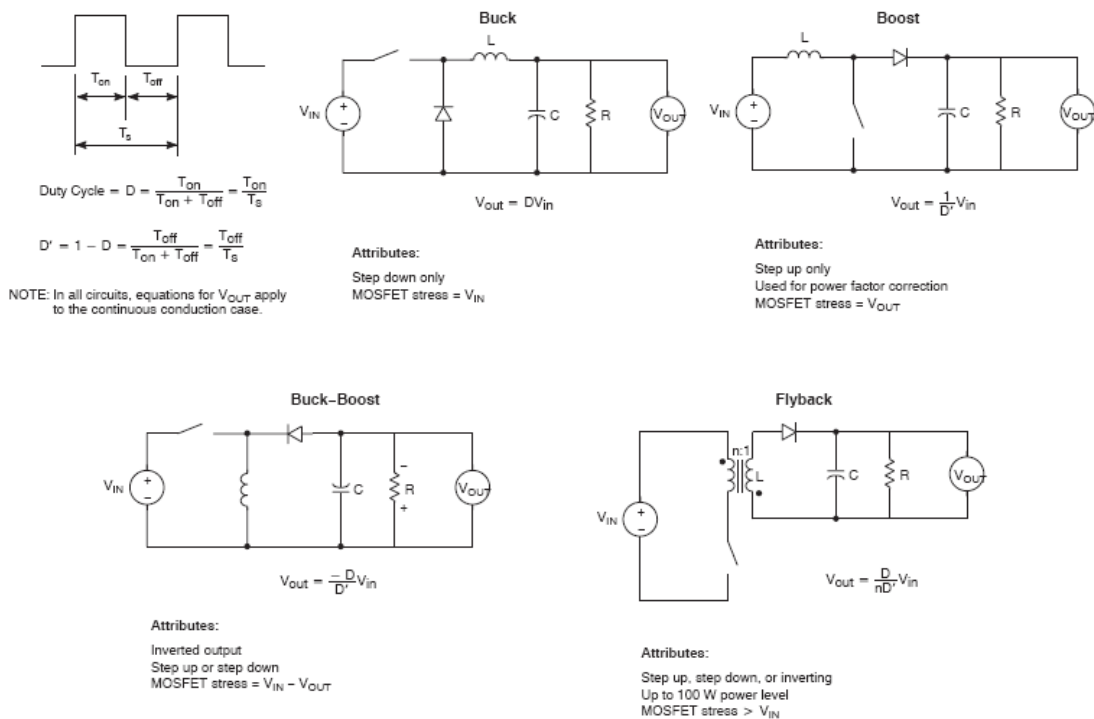


图 2 常见 DC-DC 拓扑结构图

1.2 AC-DC 离线稳压器 (offline regulator)

安森美提供多种模式的离线开关稳压器，包括电流模式，电压模式，门控振荡器模式等，具体型号如表 1 所示。这些器件输入电压及输出电压范围很宽，可提供很大的输出功率，具有多种保护措施、节能措施，已广泛应用于 LCD、LED 广告屏、POS、网络交换机、工控机等场合。

您可以与广州周立功单片机发展有限公司联系，申请或购买下列器件的样片。

表 1 安森美 AC-DC 离线稳压器选型表

| 型号 | 描述 | 控制模 型 | F _{sw} Typ(kHz) | f _{tter} Typ(%) | 待 机 模式 | R _{ds(ON)}) Typ(Ω) | V(BR) DSS max(V) | I _{peak} (ma) | HV Startup Min(V) | DSS(mA) | UV LO | 短路 保护 | Over Power Comp | 掉电 检测 | Latc h | 封装 |
|-------------------|--|----------|---------------------------------|-----------------------------|-----------|---------------------------------|------------------------|---------------------------|-------------------------|-------------|----------|----------|-----------------------|----------|-----------|---------------|
| NCP1000PG | Switching Regulator with 700 V / 0.5 A Switch, 700 V Maximum Startup | 电压模 式 | 100 | No | Yes | 18 | 700 | 500 | Yes | No | Yes | No | No | No | No | PDIP8 |
| NCP1010AP 065G | Self-Supplied Monolithic Switcher for Low Standby-Power Offline SMPS | 电流模 式 | 65 | Yes | Yes | 25 | 700 | 100 | Yes | 8.5 | Yes | Yes | No | No | Yes | PDIP8(无第 6 脚) |
| NCP1010AP 100G | Self-Supplied Monolithic Switcher for Low Standby-Power Offline SMPS | 电流模 式 | 100 | Yes | Yes | 25 | 700 | 100 | Yes | 8.5 | Yes | Yes | No | No | Yes | PDIP8(无第 6 脚) |
| NCP1010AP | Self-Supplied Monolithic Switcher | 电流模 | 130 | Yes | Yes | 25 | 700 | 100 | Yes | 8.5 | Yes | Yes | No | No | Yes | PDIP8(无 |

| | | | | | | | | | | | | | | | | | |
|----------------------|--|----------|-----|-----|-----|----|-----|-----|-----|-----|-----|-----|----|----|-----|--|---------------|
| 130G | for Low Standby-Power Offline SMPS | 式 | | | | | | | | | | | | | | | 第 6 脚) |
| NCP1010ST 100T3G | Self-Supplied Monolithic Switcher for Low Standby-Power Offline SMPS | 电流模 式 | 100 | Yes | Yes | 25 | 700 | 100 | Yes | 8.5 | Yes | Yes | No | No | Yes | | SOT-223 |
| NCP1010ST 130T3G | Self-Supplied Monolithic Switcher for Low Standby-Power Offline SMPS | 电流模 式 | 130 | Yes | Yes | 25 | 700 | 100 | Yes | 8.5 | Yes | Yes | No | No | Yes | | SOT-223 |
| NCP1011AP 100G | Self-Supplied Monolithic Switcher for Low Standby-Power Offline SMPS | 电流模 式 | 100 | Yes | Yes | 25 | 700 | 250 | Yes | 8.5 | Yes | Yes | No | No | Yes | | PDIP8(无第 6 脚) |
| NCP1011AP 130G | Self-Supplied Monolithic Switcher for Low Standby-Power Offline SMPS | 电流模 式 | 130 | Yes | Yes | 25 | 700 | 250 | Yes | 8.5 | Yes | Yes | No | No | Yes | | PDIP8(无第 6 脚) |
| NCP1011ST 65T3G | Self-Supplied Monolithic Switcher for Low Standby-Power Offline SMPS | 电流模 式 | 130 | Yes | Yes | 25 | 700 | 250 | Yes | 8.5 | Yes | Yes | No | No | Yes | | SOT-223 |
| NCP1012AP 065G | Self-Supplied Monolithic Switcher for Low Standby-Power Offline SMPS | 电流模 式 | 65 | Yes | Yes | 11 | 700 | 250 | Yes | 8 | Yes | Yes | No | No | Yes | | PDIP8(无第 6 脚) |
| NCP1012AP 100G | Self-Supplied Monolithic Switcher for Low Standby-Power Offline SMPS | 电流模 式 | 100 | Yes | Yes | 11 | 700 | 250 | Yes | 8 | Yes | Yes | No | No | Yes | | PDIP8(无第 6 脚) |
| NCP1012AP 100G | Self-Supplied Monolithic Switcher for Low Standby-Power Offline SMPS | 电流模 式 | 100 | Yes | Yes | 11 | 700 | 250 | Yes | 8 | Yes | Yes | No | No | Yes | | PDIP8(无第 6 脚) |
| NCP1012AP 130G | Self-Supplied Monolithic Switcher for Low Standby-Power Offline SMPS | 电流模 式 | 130 | Yes | Yes | 11 | 700 | 250 | Yes | 8 | Yes | Yes | No | No | Yes | | PDIP8(无第 6 脚) |
| NCP1012ST 65T3G | Self-Supplied Monolithic Switcher for Low Standby-Power Offline SMPS | 电流模 式 | 65 | Yes | Yes | 11 | 700 | 250 | Yes | 8 | Yes | Yes | No | No | Yes | | SOT223 |
| NCP1013AP 133G | Self-Supplied Monolithic Switcher for Low Standby-Power Offline SMPS | 电流模 式 | 130 | Yes | Yes | 11 | 700 | 350 | Yes | 8 | Yes | Yes | No | No | Yes | | PDIP8(无第 6 脚) |
| NCP1013ST 130T3G | Self-Supplied Monolithic Switcher for Low Standby-Power Offline SMPS | 电流模 式 | 130 | Yes | Yes | 11 | 700 | 350 | Yes | 8 | Yes | Yes | No | No | Yes | | SOT223 |
| NCP1014AP 100G | Self-Supplied Monolithic Switcher for Low Standby-Power Offline SMPS | 电流模 式 | 100 | Yes | Yes | 11 | 700 | 450 | Yes | 8 | Yes | Yes | No | No | Yes | | PDIP8(无第 6 脚) |
| NCP1014AP L100R2G | Self-Supplied Monolithic Switcher for Low Standby-Power Offline SMPS | 电流模 式 | 100 | Yes | Yes | 11 | 700 | 450 | Yes | 8 | Yes | Yes | No | No | Yes | | PDIP8(无第 6 脚) |

| | | | | | | | | | | | | | | | | |
|---------------------|--|-----------|------|-----|-----------|-----|-----|------|-----|------|-----|-----|-----|-----|-----|-------------|
| NCP1014ST 65T3G | Self-Supplied Monolithic Switcher for Low Standby-Power Offline SMPS | 电流模式 | 65 | Yes | Yes | 11 | 700 | 450 | Yes | 8 | Yes | Yes | No | No | Yes | SOT223 |
| NCP1015AP 065G | Self-Supplied Monolithic Switcher for Low Standby-Power Offline SMPS | 电流模式 | 65 | Yes | Skip mode | 11 | 700 | 450 | Yes | 8 | Yes | Yes | No | No | Yes | PDIP8(无第6脚) |
| NCP1015AP 100G | Self-Supplied Monolithic Switcher for Low Standby-Power Offline SMPS | 电流模式 | 100 | Yes | Skip mode | 11 | 700 | 450 | Yes | 8 | Yes | Yes | No | No | Yes | PDIP8(无第6脚) |
| NCP1015ST 100T3G | Self-Supplied Monolithic Switcher for Low Standby-Power Offline SMPS | 电流模式 | 100 | Yes | Skip mode | 11 | 700 | 450 | Yes | 8 | Yes | Yes | No | No | Yes | SOT223 |
| NCP1015ST 65T3G | Self-Supplied Monolithic Switcher for Low Standby-Power Offline SMPS | 电流模式 | 65 | Yes | Skip mode | 11 | 700 | 450 | Yes | 8 | Yes | Yes | No | No | Yes | SOT223 |
| NCP1027P0 65G | High-Voltage Switcher for Medium Power Offline SMPS | 电流模式 | 65 | Yes | yes | 5.6 | 700 | 800 | Yes | N/A | Yes | Yes | Yes | Yes | Yes | PDIP8(无第6脚) |
| NCP1027P1 00G | High-Voltage Switcher for Medium Power Offline SMPS | 电流模式 | 100 | Yes | yes | 5.6 | 700 | 800 | Yes | N/A | Yes | Yes | Yes | Yes | Yes | PDIP8(无第6脚) |
| NCP1028P0 65G | High-Voltage Switcher for Medium Power Offline SMPS | 电流模式 | 65 | Yes | yes | 5.6 | 700 | 800 | Yes | N/A | Yes | Yes | Yes | Yes | No | PDIP8(无第6脚) |
| NCP1028P1 00G | High-Voltage Switcher for Medium Power Offline SMPS | 电流模式 | 100 | Yes | yes | 5.6 | 700 | 800 | Yes | N/A | Yes | Yes | Yes | Yes | No | PDIP8(无第6脚) |
| NCP1030D MR2G | Integrated DC-DC Converter for Power Over Ethernet | 电压模式 | 300 | No | No | 4.1 | 200 | 515 | Yes | 12.5 | Yes | No | No | No | Yes | Micro8 |
| NCP1031D R2G | Integrated DC-DC Converter for Power Over Ethernet | 电压模式 | 1000 | No | No | 2.1 | 200 | 1050 | Yes | 16 | Yes | No | No | No | Yes | SOIC8 |
| NCP1031M NTXG | Integrated DC-DC Converter for Power Over Ethernet | 电压模式 | 1000 | No | No | 2.1 | 200 | 1050 | Yes | 16 | Yes | No | No | No | Yes | DFN8 |
| NCP1050P1 00G | Monolithic High Voltage Gated Oscillator Power Switching Regulator | Gated Osc | 100 | Yes | Yes | 30 | 700 | 100 | Yes | 6.3 | Yes | Yes | No | No | Yes | PDIP8(无第6脚) |
| NCP1050P1 36G | Monolithic High Voltage Gated Oscillator Power Switching Regulator | Gated Osc | 136 | Yes | Yes | 30 | 700 | 100 | Yes | 6.3 | Yes | Yes | No | No | Yes | PDIP8(无第6脚) |
| NCP1050P4 4G | Monolithic High Voltage Gated Oscillator Power Switching Regulator | Gated Osc | 44 | Yes | Yes | 30 | 700 | 100 | Yes | 6.3 | Yes | Yes | No | No | Yes | PDIP8(无第6脚) |
| NCP1050ST 100T3G | Monolithic High Voltage Gated Oscillator Power Switching Regulator | Gated Osc | 100 | Yes | Yes | 30 | 700 | 100 | Yes | 6.3 | Yes | Yes | No | No | Yes | SOT223 |
| NCP1050ST 136T3G | Monolithic High Voltage Gated Oscillator Power Switching Regulator | Gated Osc | 136 | Yes | Yes | 30 | 700 | 100 | Yes | 6.3 | Yes | Yes | No | No | Yes | SOT223 |

| | | | | | | | | | | | | | | | | | | |
|---------------------|---------------------------------------|---------------|----------------------|--------------|-----|-----|-----|----|-----|-----|-----|-----|-----|-----|----|----|-----|-------------|
| NCP1050ST 44T3G | Monolithic Oscillator Regulator | High Power | Voltage Switching | Gated Osc | 44 | Yes | Yes | 30 | 700 | 100 | Yes | 6.3 | Yes | Yes | No | No | Yes | SOT223 |
| NCP1051P1 36G | Monolithic Oscillator Regulator | High Power | Voltage Switching | Gated Osc | 136 | Yes | Yes | 30 | 700 | 200 | Yes | 6.3 | Yes | Yes | No | No | Yes | PDIP8(无第6脚) |
| NCP1051ST 44T3G | Monolithic Oscillator Regulator | High Power | Voltage Switching | Gated Osc | 44 | Yes | Yes | 30 | 700 | 200 | Yes | 6.3 | Yes | Yes | No | No | Yes | SOT223 |
| NCP1052P1 00G | Monolithic Oscillator Regulator | High Power | Voltage Switching | Gated Osc | 100 | Yes | Yes | 30 | 700 | 300 | Yes | 6.3 | Yes | Yes | No | No | Yes | PDIP8(无第6脚) |
| NCP1052P1 36G | Monolithic Oscillator Regulator | High Power | Voltage Switching | Gated Osc | 136 | Yes | Yes | 30 | 700 | 300 | Yes | 6.3 | Yes | Yes | No | No | Yes | PDIP8(无第6脚) |
| NCP1052P4 4G | Monolithic Oscillator Regulator | High Power | Voltage Switching | Gated Osc | 44 | Yes | Yes | 30 | 700 | 300 | Yes | 6.3 | Yes | Yes | No | No | Yes | PDIP8(无第6脚) |
| NCP1052ST 100T3G | Monolithic Oscillator Regulator | High Power | Voltage Switching | Gated Osc | 100 | Yes | Yes | 30 | 700 | 300 | Yes | 6.3 | Yes | Yes | No | No | Yes | SOT223 |
| NCP1052ST 136T3G | Monolithic Oscillator Regulator | High Power | Voltage Switching | Gated Osc | 136 | Yes | Yes | 30 | 700 | 300 | Yes | 6.3 | Yes | Yes | No | No | Yes | SOT223 |
| NCP1052ST 44T3G | Monolithic Oscillator Regulator | High Power | Voltage Switching | Gated Osc | 44 | Yes | Yes | 30 | 700 | 300 | Yes | 6.3 | Yes | Yes | No | No | Yes | SOT223 |
| NCP1053P1 00G | Monolithic Oscillator Regulator | High Power | Voltage Switching | Gated Osc | 100 | Yes | Yes | 15 | 700 | 400 | Yes | 6.3 | Yes | Yes | No | No | Yes | PDIP8(无第6脚) |
| NCP1053P1 36G | Monolithic Oscillator Regulator | High Power | Voltage Switching | Gated Osc | 136 | Yes | Yes | 15 | 700 | 400 | Yes | 6.3 | Yes | Yes | No | No | Yes | PDIP8(无第6脚) |
| NCP1053P4 4G | Monolithic Oscillator Regulator | High Power | Voltage Switching | Gated Osc | 44 | Yes | Yes | 15 | 700 | 400 | Yes | 6.3 | Yes | Yes | No | No | Yes | PDIP8(无第6脚) |
| NCP1053ST 100T3G | Monolithic Oscillator Regulator | High Power | Voltage Switching | Gated Osc | 100 | Yes | Yes | 15 | 700 | 400 | Yes | 6.3 | Yes | Yes | No | No | Yes | SOT223 |
| NCP1053ST 136T3G | Monolithic Oscillator Regulator | High Power | Voltage Switching | Gated Osc | 136 | Yes | Yes | 15 | 700 | 400 | Yes | 6.3 | Yes | Yes | No | No | Yes | SOT223 |
| NCP1053ST 44T3G | Monolithic Oscillator Regulator | High Power | Voltage Switching | Gated Osc | 44 | Yes | Yes | 15 | 700 | 400 | Yes | 6.3 | Yes | Yes | No | No | Yes | SOT223 |

| | | | | | | | | | | | | | | | | | | |
|---------------------|---------------------------------------|---------------|----------------------|--------------|------|-----|-----|----|-----|-----|-----|-----|-----|-----|----|----|-----|-----------------|
| | Regulator | | | | | | | | | | | | | | | | | |
| NCP1054P1 00G | Monolithic Oscillator Regulator | High Power | Voltage Switching | Gated Osc | 100 | Yes | Yes | 15 | 700 | 530 | Yes | 6.3 | Yes | Yes | No | No | Yes | PDIP8(无 第6脚) |
| NCP1054P1 36G | Monolithic Oscillator Regulator | High Power | Voltage Switching | Gated Osc | 136 | Yes | Yes | 15 | 700 | 530 | Yes | 6.3 | Yes | Yes | No | No | Yes | PDIP8(无 第6脚) |
| NCP1054ST 136T3G | Monolithic Oscillator Regulator | High Power | Voltage Switching | Gated Osc | 136 | Yes | Yes | 15 | 700 | 530 | Yes | 6.3 | Yes | Yes | No | No | Yes | SOT223 |
| NCP1054ST 44T3G | Monolithic Oscillator Regulator | High Power | Voltage Switching | Gated Osc | 44 | Yes | Yes | 15 | 700 | 530 | Yes | 6.3 | Yes | Yes | No | No | Yes | SOT223 |
| NCP1055P1 00G | Monolithic Oscillator Regulator | High Power | Voltage Switching | Gated Osc | 100 | Yes | Yes | 15 | 700 | 680 | Yes | 6.3 | Yes | Yes | No | No | Yes | PDIP8(无 第6脚) |
| NCP1055P1 36G | Monolithic Oscillator Regulator | High Power | Voltage Switching | Gated Osc | 140 | Yes | Yes | 15 | 700 | 680 | Yes | 6.3 | Yes | Yes | No | No | Yes | PDIP8(无 第6脚) |
| NCP1055P4 4G | Monolithic Oscillator Regulator | High Power | Voltage Switching | Gated Osc | 45.5 | Yes | Yes | 15 | 700 | 680 | Yes | 6.3 | Yes | Yes | No | No | Yes | PDIP8(无 第6脚) |
| NCP1055ST 100T3G | Monolithic Oscillator Regulator | High Power | Voltage Switching | Gated Osc | 100 | Yes | Yes | 15 | 700 | 680 | Yes | 6.3 | Yes | Yes | No | No | Yes | SOT223 |
| NCP1055ST 136T3G | Monolithic Oscillator Regulator | High Power | Voltage Switching | Gated Osc | 140 | Yes | Yes | 15 | 700 | 680 | Yes | 6.3 | Yes | Yes | No | No | Yes | SOT223 |
| NCP1055ST 44T3G | Monolithic Oscillator Regulator | High Power | Voltage Switching | Gated Osc | 45.5 | Yes | Yes | 15 | 700 | 680 | Yes | 6.3 | Yes | Yes | No | No | Yes | SOT223 |

1.3 DC-DC转换器 (DC-DC Converter)

1.3.1 高效率DC-DC转换器的特点

经常有工程师在网上反映, 7805 等 LDO 电源在使用时, 发热量很大, 严重降低了使用效率。甚至有时会因为发热量过大, 导致芯片烧毁。

高效率的 DC-DC 能够将更多的效率用于有用功, 只有较少的功率消耗在芯片上, 极大的降低了芯片工作时发出的热量。因此在使用时, 完全不用担心芯片因过度发热而导致工作不正常, 也不会出现因芯片过度发热而影响周围器件的工作。我们生活中常用到的手机、照相机等手持设备, 其体积小, 对散热和电源效率的要求都较高, 因此强烈推荐使用高效率的 DC-DC 电源。在这方面, DC-DC 电源比 LDO 电源有明显的优势。

1.3.2 选型安森美的DC-DC转换器

安森美半导体提供多种类型的 DC-DC 转换器, 用于 DC-DC 电源转换电路, 其中包括电压模式及电流模式等, 具体型号如表 2 所示。这些器件电源转换效率高, 封装小巧, 外设简单, 已广泛应用于手机、便携式电脑、便携仪器、数码相机、GPS 等各种对电源效率有较高要求的场合。

您可以与广州周立功单片机发展有限公司联系, 申请或购买下列器件的样片。

表 2 安森美 DC-DC 转换器选型表

| 型号 | 描述 | 拓扑 | 模式 | V _{cc} | V _{cc} | V _o | I _o | 效率(%) | F _{sw} | 封装 |
|----------------|--|--------------------------|------------|-----------------|-----------------|----------------|----------------|-------|-----------------|------------|
| | | | | Min(V) | Max(V) | Typ(V) | Typ(A) | | Typ(kHz) | |
| LM2596DSADJG | 150 KHz 3A Step-Down Voltage Regulator | Buck | 电压模式 | 4.5 | 40 | | 3 | | 150 | D2PARK-5 |
| LM2596DSADJR4G | 150 KHz 3A Step-Down Voltage Regulator | Buck | 电压模式 | 4.5 | 40 | | 3 | | 150 | D2PARK-5 |
| LM2596TADJG | 150 KHz 3A Step-Down Voltage Regulator | Buck | 电压模式 | 4.5 | 40 | | 3 | | 150 | TO220-5 |
| LM2596TVADJG | 150 KHz 3A Step-Down Voltage Regulator | Buck | 电压模式 | 4.5 | 40 | | 3 | | 150 | TO220(F)-5 |
| NCP3064BDR2G | 1.5A Switching Regulator with Enable | Boost | | 3 | 40 | | 1.5 | | 150 | SOIC-8 |
| NCP3064BMNTXG | 1.5A Switching Regulator with Enable | Step up/Step down | | 3 | 40 | | 1.5 | | 150 | DFN-8 |
| NCP3064BPG | 1.5A Switching Regulator with Enable | Non Inverting Buck/Boost | Hysteretic | 3 | 40 | | 1.5 | | 150 | PDIP-8 |
| NCP3064DR2G | 1.5A Switching Regulator with Enable | Step up/Step down | | 3 | 40 | | 1.5 | | 150 | SOIC-8 |
| NCP3064MNTXG | 1.5A Switching Regulator with Enable | Step down | | 3 | 40 | | 1.5 | | 150 | DFN-8 |
| NCP3064PG | 1.5A Switching Regulator with Enable | PFM Step up | | 3 | 40 | | 1.5 | | 150 | DFN-8 |
| NCP3066DR2G | Constant Current Switching Regulator for HB LEDs w/ ENABLE | Step Down | | 3 | 40 | | 1.5 | | 250 | SOIC-8 |
| NCP3066MNTXG | Constant Current Switching Regulator for HB LEDs w/ ENABLE | SEPIC | | 3 | 40 | | 1.5 | | 250 | DFN-8 |
| NCP3066PG | Constant Current Switching Regulator for HB LEDs | Boost | | 3 | 40 | | 1.5 | | 250 | PDIP-8 |

| | | | | | | | | | | | |
|---------------|--|-------------------|----------------|-----|----|------------|-----|--|------------|---------|--|
| | w/ ENABLE | | | | | | | | | | |
| NCV3064DR2G | 1.5A Constant Current Switching Regulator for LEDs with Enable | Boost | | 3 | 40 | | 1.5 | | 300 | SOIC-8 | |
| NCV3064MNTXg | 1.5A Constant Current Switching Regulator for LEDs with Enable | Step up/Step Down | | 3 | 40 | | 1.5 | | 300 | DFN-8 | |
| NCV3064PG | 1.5A Constant Current Switching Regulator for LEDs with Enable | Buck | | 3 | 40 | | 1.5 | | 300 | PDIP-8 | |
| NCV3163MNR2G | 3.4A, Step up/Down/Inverting Switching Regulator(50-300kHz) | Step Down | | 2.5 | 40 | | 3 | | 300 | DFN-18 | |
| CS5101EDW16G | 1.5A PWM Secondary Side Post Regulator | | | 8 | 45 | 4.8 to 5.2 | 1.5 | | | SO-16 | |
| CS5101EDWR16G | 1.5A PWM Secondary Side Post Regulator | | | 8 | 45 | 4.8 to 5.2 | 1.5 | | | SO-16 | |
| CS5101EN14G | 1.5A PWM Secondary Side Post Regulator | | | 8 | 45 | 4.8 to 5.2 | 1.5 | | | PDIP-14 | |
| CS51411ED8G | 1.5 A, 260 kHz Low Voltage Buck Regulator with Synchronization | Buck | V ² | 4.5 | 40 | | 1.5 | | 260 | SOIC-8 | |
| CS51411GD8G | 1.5 A, 260 kHz Low Voltage Buck Regulator with Synchronization | Buck | V ² | 4.5 | 40 | | 1.5 | | 260 | SOIC-8 | |
| CS51412ED8G | 1.5 A, 260 kHz Low Voltage Buck Regulator with Synchronization | Buck | V ² | 4.5 | 40 | | 1.5 | | 260 | SOIC-8 | |
| CS51412GD8G | 1.5 A, 260 kHz Low Voltage Buck Regulator with Synchronization | Buck | V ² | 4.5 | 40 | | 1.5 | | 260 | SOIC-8 | |
| CS51413GD8G | 1.5 A, 520 kHz Low Voltage Buck Regulator with Synchronization | Buck | V ² | 4.5 | 40 | | 1.5 | | 520 | SOIC-8 | |
| CS51414GD8G | 1.5 A, 520 kHz Low Voltage Buck Regulator with Synchronization | Buck | V ² | 4.5 | 40 | | 1.5 | | 520 | SOIC-8 | |
| CS5171EDR8G | 1.5 A, 280 / 560 kHz Boost Regulator | PWM Step up | 电流模式 | 2.7 | 30 | | 1.5 | | Up to 500 | SOIC-8 | |
| CS5171GD8G | 1.5 A, 280 / 560 kHz Boost Regulator | PWM Step up | 电流模式 | 2.7 | 30 | | 1.5 | | Up to 500 | SOIC-8 | |
| CS5172ED8G | 1.5 A, 280 / 560 kHz Boost Regulator | | 电流模式 | 2.7 | 30 | | 1.5 | | Up to 500 | SOIC-8 | |
| CS5172GDR8G | 1.5 A, 280 / 560 kHz Boost Regulator | | 电流模式 | 2.7 | 30 | | 1.5 | | Up to 500 | SOIC-8 | |
| CS5173ED8G | 1.5 A, 280 / 560 kHz Boost Regulator | PWM Step up | 电流模式 | 2.7 | 30 | | 1.5 | | Up to 1000 | SOIC-8 | |
| CS5173GDR8G | 1.5 A, 280 / 560 kHz Boost Regulator | PWM Step up | 电流模式 | 2.7 | 30 | | 1.5 | | Up to 1000 | SOIC-8 | |
| CS5174ED8G | 1.5 A, 280 / 560 kHz Boost Regulator | | 电流模式 | 2.7 | 30 | | 1.5 | | Up to 1000 | SOIC-8 | |
| CS5174GDR8G | 1.5 A, 280 / 560 kHz Boost Regulator | PWM Step up | 电流模式 | 2.7 | 30 | | 1.5 | | Up to 1000 | SOIC-8 | |

| | | | | | | | | | | |
|------------------|--|-------------------|------|-----|----|------------|-----|----|-----|------------|
| LM2575D2T-5R4G | 1 A, 5 V, 52 kHz Buck PWM Switching Regulator | Step Down | 电压模式 | 7 | 40 | 5 | 1 | | | D2PAK-5 |
| LM2575T-5G | 1 A, 5 V, 52 kHz Buck PWM Switching Regulator | Step Down | 电压模式 | 7 | 40 | 5 | 1 | | | TO220-5 |
| LM2575T-ADJG | 1 A, Adjustable 1.23-37 V, 52 kHz Buck PWM Switching Regulator | Step Down | 电压模式 | 7 | 40 | 1.23 to 37 | 1 | | | TO220-5 |
| LM2576D2T-ADJR4G | 3 A, Adjustable 1.23-37 V, 52 kHz Buck PWM Switching Regulator | Step Down | | 7 | 40 | 1.23 to 37 | 3 | 77 | | D2PAK-5 |
| LM2576D2TR4-3.3G | 3 A, 3.3 V, 52 kHz Buck PWM Switching Regulator | Step Down | | 7 | 40 | 3.3 | 3 | 77 | | D2PAK-5 |
| LM2576T-005G | 3 A, 5 V, 52 kHz Buck PWM Switching Regulator | Step Down | | 7 | 40 | 5 | 3 | 77 | | TO220-5 |
| LM2576T-ADJG | 3 A, Adjustable 1.23-37V, 52 kHz Buck PWM Switching Regulator | Step Down | | 7 | 40 | 1.23 to 37 | 3 | 77 | | TO220-5 |
| LM2576TV-5G | 3 A, 5 V, 52 kHz Buck PWM Switching Regulator | Step Down | | 7 | 40 | 5 | 3 | | | TO220(F)-5 |
| LM2576TV-ADJG | 3 A, Adjustable 1.23-37V, 52 kHz Buck PWM Switching Regulator | Step Down | | 7 | 40 | 1.23 to 37 | 3 | 77 | | TO220(F)-5 |
| MC33063ADR2G | 1.5A Step-Up / Step-Down / Inverting Switching Regulator | Step up/Step Down | 电压模式 | 3 | 40 | 1.25 to 40 | 1.5 | | 100 | SOIC8 |
| MC33063AVDG | 1.5A Step-Up / Step-Down / Inverting Switching Regulator | Step up/Step Down | 电压模式 | 3 | 40 | 1.25 to 40 | 1.5 | | 100 | SOIC8 |
| MC33063AVPG | 1.5A Step-Up / Step-Down / Inverting Switching Regulator | Step up/Step Down | 电压模式 | 3 | 40 | 1.25 to 40 | 1.5 | | 100 | PDIP8 |
| MC33163DWG | 3.4A Step-Up / Step-Down / Inverting Switching Regulator | Step up/Step Down | 电压模式 | 2.5 | 40 | 1.25 to 40 | 3.4 | | | SO16 WB |
| MC33163PG | 3.4A Step-Up / Step-Down / Inverting Switching Regulator | Step up/Step Down | 电压模式 | 2.5 | 40 | 1.25 to 40 | 3.4 | | | PDIP16 |
| MC33166D2TG | Buck PWM Voltage Mode Controller with 40V/3A Switch | Step up/Step Down | 电压模式 | 7.5 | 40 | 1.25 to 40 | 3 | | | D2PAK-5 |
| MC33166THG | Buck PWM Voltage Mode Controller with 40V/3A Switch | Step up/Step Down | 电压模式 | 7.5 | 40 | 1.25 to 40 | 3 | | | TO220-5 |
| MC33167TVG | Buck PWM Voltage Mode Controller with 40V/5A Switch | Step up/Step Down | 电压模式 | 7.5 | 40 | 5.0 to 40 | 5 | | 72 | TO220(F)-5 |
| MC34063ADR2G | 1.5A Step-Up / Step-Down / Inverting Switching Regulator | Step up/Step Down | 电压模式 | 3 | 40 | 1.25 to 40 | 1.5 | | 100 | SOIC8 |
| MC34063AMELG | 1.5A Step-Up / Step-Down / Inverting Switching Regulator | Step up/Step Down | 电压模式 | 3 | 40 | 1.25 to 40 | 1.5 | | 100 | SOEIAJ-8 |
| MC34163DWG | 3.4A Step-Up / Step-Down / Inverting Switching Regulator | Step up/Step Down | 电压模式 | 2.5 | 40 | 1.25 to 40 | 3.4 | | | SO-16 WB |
| MC34163PG | 3.4A Step-Up / Step-Down / Inverting Switching Regulator | Step up/Step Down | 电压模式 | 2.5 | 40 | 1.25 to 40 | 3.4 | | | PDIP-16 |
| MC34166D2TG | Buck PWM Voltage Mode Controller with 40V/3A Switch | Step up/Step Down | 电压模式 | 7.5 | 40 | 1.5 to 40 | 3 | | | D2PAK-5 |

| | | | | | | | | | | | | | |
|-----------------|---|-----------------------|-------|-----|-----|------------|-----------|--|----------|--|------------|--|--------------------|
| MC34166THG | Buck PWM Voltage Mode Controller with 40V/3A Switch | Step up/Step Down | 电压模式 | 7.5 | 40 | 1.5 to 40 | 3 | | | | | | TO220-5 |
| MC34167D2TG | Buck PWM Voltage Mode Controller with 40V/5A Switch | Step up/Step Down | 电压模式 | 7.5 | 40 | 5.0 to 40 | 5 | | | | 72 | | D2PAK-5 |
| MC34167THG | Buck PWM Voltage Mode Controller with 40V/5A Switch | Step up/Step Down | 电压模式 | 7.5 | 40 | 5.0 to 40 | 5 | | | | 72 | | TO220-5 |
| NCP1030DMR2G | Integrated DC-DC Converter for Power Over Ethernet | | 电压模式 | | 200 | | 0.5 | | | | 300 | | Micro8 |
| NCP1031DR2G | Integrated DC-DC Converter for Power Over Ethernet | | 电压模式 | | 200 | | 1 | | | | Up to 1000 | | SOIC-8 |
| NCP1031MNTXG | Integrated DC-DC Converter for Power Over Ethernet | PWM Step Down | 电压模式 | | 200 | | 1 | | | | Up to 1000 | | DFN-8 |
| NCP1400ASN19T1G | 100mA,1.9V,180kHz Boost PWM Switching Regulator | PWM Step up | | 0.8 | 5.5 | 1.9 | Up to 0.1 | | 88 | | 180 | | TSOP-5/ SOT23-5 |
| NCP1400ASN22T1G | 100mA,2.2V,180kHz Boost PWM Switching Regulator | PWM Step up | | 0.8 | 5.5 | 2.2 | Up to 0.1 | | 88 | | 180 | | TSOP-5/ SOT23-5 |
| NCP1400ASN33T1G | 100mA,3.3V,180kHz Boost PWM Switching Regulator | PWM Step up | | 0.8 | 5.5 | 3.3 | Up to 0.1 | | 88 | | 180 | | TSOP-5/ SOT23-5 |
| NCP1402SN19T1G | 200mA,1.9V,Boost PFM Switching Regulator | PWM Step up | | 0.8 | 5.5 | 1.9 | Up to 0.2 | | 85 | | Up to 200 | | TSOP-5/ SOT23-5 |
| NCP1402SN50T1G | 200mA,5.0V,Boost PFM Switching Regulator | PWM Step up | | 0.8 | 5.5 | 5.0 | Up to 0.2 | | 85 | | Up to 200 | | TSOP-5/ SOT23-5 |
| NCP1403SNT1G | 50mA,Adjustable Voltage,300Hz Boost PFM Switching Regulator | PWM Step up | | 1.2 | 5.5 | Up to 15 | 0.05 | | 72 | | Up to 200 | | TSOP-5/ SOT23-5 |
| NCP1406SNT1G | 25V,25mA PFM Step up DC-DC Convert | Boost | PFM | 1.4 | 5.5 | Up to 25 | 0.025 | | 85 | | Up to 200 | | TSOP-5/ SOT23-5 |
| NCP1410DMR2G | 250 mA, Adjustable 1.5-5.5 V, 600 kHz Boost Sync Rect PFM Switching Regulator with Low-Battery Detector | PFM Sync Rect Step up | | 1 | 5.5 | 1.5 to 5.5 | 0.25 | | 92 | | 600 | | Micro8 |
| NCP1421DMR2G | 600 mA, Adjustable, 1.2 MHz Boost Sync-Rect PFM Switching Regulator with True Cut-off and Ring Killer | PFM Sync Rect Step up | | 1 | 5.5 | 1.5 to 5.5 | 0.25 | | 92 | | Up to 1000 | | Micro8 |
| NCP1422MNR2G | 800 mA Sync-Rect PFM Step-Up DC-DC Converter with True-Cutoff and Ring-Killer | SyncRect, Boost | Boost | | 5.5 | 1.5 | 0.8 | | Up to 94 | | Up to 1200 | | DFN10 |
| NCP1423DMR2G | 400 mA Sync-Rect PFM Step-Up DC-DC Converter with Ring-Killer | Boost | PFM | | 6 | 1.8 to 3.3 | 0.4 | | 92 | | Up to 600 | | Micro10 |
| NCP1450ASN19T1G | 1.0 A, 1.9 V, 180 kHz Boost PWM Switching Controller with Enable | PWM Step up | | 0.6 | 5.5 | 1.9 | 1 | | 88 | | | | TSOP-5/ SOT23-5 |
| NCP1450ASN27T1G | 1.0 A, 2.7 V, 180 kHz Boost PWM Switching Controller with Enable | PWM Step up | | 0.6 | 5.5 | 2.7 | 1 | | 88 | | | | TSOP-5/ SOT23-5 |
| NCP1450ASN30T1G | 1.0 A, 3.0 V, 180 kHz Boost PWM Switching Controller with Enable | PWM Step up | | 0.6 | 5.5 | 3 | 1 | | 88 | | | | TSOP-5/ SOT23-5 |
| NCP1450ASN33T1G | 1.0 A, 3.3 V, 180 kHz Boost PWM Switching Controller with Enable | PWM Step up | | 0.6 | 5.5 | 3.3 | 1 | | 88 | | | | TSOP-5/ SOT23-5 |

| | | | | | | | | | | |
|-----------------|---|----------------------|---------|------|-----|---------------------|-----|----|------------|---------------------|
| NCP1450ASN50T1G | 1.0 A, 5.0 V, 180 kHz Boost PWM Switching Controller with Enable | PWM Step up | | 0.6 | 5.5 | 5.0 | 1 | 88 | | TSOP-5/ SOT23-5 |
| NCP1500DMR2G | Dual Mode PWM / Linear Buck Converter | PWM/Linear Step down | | 2.7 | 5.4 | 1.0/1.3/ 1.5/1.8 | 0.3 | 91 | Up to 630 | Micro8 |
| NCP1501DMR2G | Dual Mode Buck DC-DC Converter and LDO | PWM/Linear | 电流模式 | | 5.5 | 1.0/1.3/ 1.5/1.8 | 0.3 | 92 | 600 | Micro8 |
| NCP1521BMUTBG | 1.5MHz,600mA Step Down DC-DC Converter | PWM/PFM Step Dwon | 电流模式 | 2.7 | 5.5 | 0.9 to 3.3 | 0.6 | 96 | 1500 | UDFN6 |
| NCP1521BSNT1G | 1.5MHz,600mA Step Down DC-DC Converter | PWM/PFM Step Dwon | 电流模式 | 2.7 | 5.5 | 0.9 to 3.3 | 0.6 | 96 | 1500 | TSOP-5/ SOT23-5 |
| NCP1522BMUTBG | 3.0MHz,600mA Step Down DC-DC Converter | PWM/PFM Step Dwon | 电压模式 | 2.7 | 5.5 | 0.9 to 3.3 | 0.6 | 95 | 3000 | UDFN6 |
| NCP1522BSNT1G | 3.0MHz,600mA Step Down DC-DC Converter | PWM/PFM Step Dwon | 电压模式 | 2.7 | 5.5 | 0.9 to 3.3 | 0.6 | 95 | 3000 | TSOP-5/ SOT23-5 |
| NCP1523BFCT2G | 3 MHz, 600 mA, High-Efficiency, Adjustable Output Voltage Step-Down Converter | PFM Step Dwon | 电压模式 | 2.7 | 5.5 | 0.9 to 3.3 | 0.6 | 93 | 3000 | Flip Chip 8 |
| NCP1523FCT2G | 3MHz DC-DC Step-Down(Buck) Converter | PWM/PFM Step Dwon | 电压模式 | 2.7 | 5.5 | 0.9 to 3.3 | 0.6 | 93 | 3000 | Flip Chip 8 |
| NCP1529ASNT1G | 1.7MHz,1A high efficiency step down converter | PWM/PFM Step Dwon | 电流模式 | 2.7 | 5.5 | 0.9 to 3.9 | 1 | 96 | 1700 | TSOP-5 / SOT23-5 |
| NCP1529MUTBG | 1.7MHz,1A high efficiency step down converter | PWM/PFM Step Dwon | 电流模式 | 2.7 | 5.5 | 0.9 to 3.9 | 1 | 96 | 1700 | UDFN6 |
| NCP1530DM25R2G | 600mA,2.5V,600kHz Buck PWM/ PFM Switching Regulator | PWM/PFM Step Dwon | | 2.75 | 5.5 | 2.5 | 0.6 | 92 | Up to 1200 | Micro8 |
| NCP1530DM27R2G | 600mA,2.7V,600kHz Buck PWM/ PFM Switching Regulator | PWM/PFM Step Dwon | | 2.97 | 5.5 | 2.5 | 0.6 | 92 | Up to 1200 | Micro8 |
| NCP1530DM30R2G | 600mA,3.0V,600kHz Buck PWM/ PFM Switching Regulator | PWM/PFM Step Dwon | | 3.3 | 5.5 | 2.5 | 0.6 | 92 | Up to 1200 | Micro8 |
| NCP1530DM33R2G | 600mA,3.3V,600kHz Buck PWM/ PFM Switching Regulator | PWM/PFM Step Dwon | | 3.63 | 5.5 | 2.5 | 0.6 | 92 | Up to 1200 | Micro8 |
| NCP1532MUAATXG | Dual outputs 600mA,2.25Mhz,Step down converter | PWM/PFM Step Dwon | 电流模式 | 2.7 | 5.5 | 0.9~3.3 V | 1.6 | 97 | 2250 | UDFN10 |
| NCP1546MNR2G | 1.5A,170kHz Low Voltage Buck Regulator | | | | | | | | | DFN18 |
| NCP1547MNR2G | 1.5A,340kHz Low Voltage Buck Regulator | Buck | 电流/电压模式 | 4.5 | 40 | 1.5 to 24 | 1.5 | 82 | | DFN18 |
| NCP1550SN18T1G | 2A,1.8V,600kHz Buck PWM/PFM Switching Controller | PWM/PFM StepDown | | 2.4 | 5.5 | 1.8 | 2 | 92 | 600 | TSOP-5/ SOT23-5 |
| NCP1550SN19T1G | 2A,1.9V,600kHz Buck PWM/PFM Switching Controller | PWM/PFM StepDown | | 2.5 | 5.5 | 1.9 | 2 | 92 | 600 | TSOP-5/ SOT23-5 |
| NCP1550SN27T1G | 2A,2.7V,600kHz Buck PWM/PFM Switching Controller | PWM/PFM StepDown | | 2.7 | 5.5 | 2.7 | 2 | 92 | 600 | TSOP-5/ SOT23-5 |
| NCP1550SN30T1G | 2A,2.7V,600kHz Buck PWM/PFM Switching Controller | PWM/PFM StepDown | | | 5.5 | 3 | 2 | 92 | | TSOP-5/ SOT23-5 |

| | | | | | | | | | | |
|----------------|--|-------------------|--------------|-----|------|--------------|------|----|------------|--------------------|
| NCP1595AMNR2G | Current Mode PWM Converter for Low Voltage Outputs | PWM Step Down | Current Mode | 4 | 5.5 | 0.98 to 4.95 | 1.5 | 95 | Up to 1200 | DFN |
| NCP1595MNR2G | Current Mode PWM Converter for Low Voltage Outputs | PWM Step Down | Current Mode | 4 | 5.5 | 0.98 to 4.95 | 1.5 | 95 | Up to 1200 | DFN |
| NCP3063BDR2G | 1.5A,150kHz Switching Regulator | Step up/Step Down | | 3 | 40 | | 1.5 | | 150 | SOIC-8 |
| NCP3063BMNTXG | 1.5A,150kHz Switching Regulator | Step up/Step Down | | 3 | 40 | | 1.5 | | 150 | DFN-8 |
| NCP3063BPG | 1.5A,150kHz Switching Regulator | Step up/Step Down | Hysteretic | 3 | 40 | | 1.5 | | 150 | PDIP-8 |
| NCP3063DR2G | 1.5A,150kHz Switching Regulator | Step Down | | 3 | 40 | | 1.5 | | 150 | SOIC-8 |
| NCP3063PG | 1.5A,150kHz Switching Regulator | Step up/Step Down | | 3 | 40 | | 1.5 | | 150 | PDIP-8 |
| NCP3065DR2G | 1.5A,Constant Current Switching Regulator for LEDs | PFM Step up | | 3 | 40 | | 1.5 | | 250 | SOIC-8 |
| NCP3065MNTXG | 1.5A,Constant Current Switching Regulator for LEDs | Step Down | | 3 | 40 | | 1.5 | | 250 | DFN-8 |
| NCP3065PG | 1.5A,Constant Current Switching Regulator for LEDs | Step up/Step Down | | 3 | 40 | | 1.5 | | 250 | PDIP-8 |
| NCP3101BMNTXG | 6A Intergrated Switcher | PWM Step Dwon | | 4.5 | 13.2 | | 6 | 92 | 275 | QFN40 |
| NCP3101MNTXG | 6A Intergrated Switcher | PWM Step Dwon | | 4.5 | 13.2 | | 6 | 92 | 275 | QFN40 |
| NCP3102BMNTXG | 10A Intergrated Switcher | PWM Step Dwon | | 4.5 | 13.2 | | | | 275 | QFN32 |
| NCP3102MNTXG | 10A Intergrated Switcher | PWM Step Dwon | | 4.5 | 13.2 | | | | 275 | QFN32 |
| NCP3120MNTXG | Dual 2A Switching Regulator(200kHz~750kHz) | PWM Step Dwon | | 4.5 | 15 | | | | Up to 1000 | QFN32 |
| NCP3121MNTXG | Dual 3A Switching Regulator(200kHz~750kHz) | PWM Step Dwon | | 4.5 | 15 | | | | Up to 1000 | QFN32 |
| NCP3122MNTXG | Dual non-synchronous buck converter | PWM Step Dwon | | 4.5 | 13.2 | | 2 | | Up to 2200 | QFN32 |
| NCP3123MNTXG | Dual 3A Switching Regulator | PWM Step Dwon | | 4.5 | | | | | Up to 2200 | QFN32 |
| NCP31634BPWR2G | 3.4A,300kHz Switching Regulator | Step Dwon | | 2.5 | 40 | | 3 | | Up to 300 | QFN32 |
| NCP5005SNT1G | Compact Backlight LED Boost Driver | PFM Step-up | Current Mode | | | 22 | 0.05 | 90 | 1200 | TSOP-5/ SOT23-5 |
| NCP5006SNT1G | Compact Backlight LED Boost Driver | PFM Step-up | Current Mode | | | 22 | 0.05 | 90 | 1200 | TSOP-5/ SOT23-5 |
| NCP5007SNT1G | Compact Backlight LED Boost Driver | PFM Step-up | Current Mode | | | 22 | 0.05 | 90 | 1200 | TSOP-5/ SOT23-5 |
| NCP5008DMR2G | Backlight LED Boost Driver | | | | | Up to 15 | | 96 | | Micro10 |
| NCP5080MUTXG | High efficiency xenon flash capacitor changer IC | | | | | 30 | | | 100000 | LLGA-12 |

| | | | | | | | | | | | |
|------------------|---|--------------------|----------------|-----|-----|----------|-----|--|--|-----------|------------|
| NCP5208DR2G | DDR-I/II Termination Regulator | | 电压模式 | 1.7 | 5.5 | 0.9/1.25 | 1.5 | | | | SOIC-8 |
| NCP5810MUTXG | Dual 1W AMOLED Driver Supply | | | | | | | | | | LLGA-12 |
| NCV2574DW-ADJR2G | 0.5A Adjustable 1.23~37V,52kHz Buck PWM Switching Regulator | | | | | | | | | | SO-16WB |
| NCV3063DR2G | 1.5A,150kHz Switching Regulator | Step Up/ Step Down | | 3 | 40 | | 1.5 | | | Up to 200 | SOIC-8 |
| NCV3063MNTXG | 1.5A,150kHz Switching Regulator | Step Up/ Step Down | | 3 | 40 | | 1.5 | | | Up to 200 | DFN-8 |
| NCV3063PG | 1.5A,150kHz Switching Regulator | Step Down | | 3 | 40 | | 1.5 | | | Up to 200 | PDIP-8 |
| NCV3163PWG | 3.4 A, Step-Up/Step-Down/Inverting Switching Regulator (50-300 kHz) (ext temp - Auto) | Step Up/ Step Down | | 2.5 | 40 | | 3 | | | 300 | SOIC-16 |
| NCV3163PWR2G | 3.4 A, Step-Up/Step-Down/Inverting Switching Regulator (50-300 kHz) (ext temp - Auto) | Step Down | | 2.5 | 40 | | 3 | | | 300 | SOIC-16 |
| NCV33063AVDR2G | 1.5 A, Step-Up/Step-Down/Inverting Switching Regulator with 40V/1.5A Switch | Step Up/ Step Down | 电压模式 | 3 | 40 | 1.25~40 | 1.5 | | | 100 | SOIC-8 |
| NCV33163AVDR2G | 3.4 A, Step-Up/Step-Down/Inverting Switching Regulator | Step Up/ Step Down | 电压模式 | 2.5 | 40 | 1.25~40 | 3.4 | | | | SO-16 WB |
| NCV33163PG | 3.4 A, Step-Up/Step-Down/Inverting Switching Regulator | Step Up/ Step Down | 电压模式 | 2.5 | 40 | 1.25~40 | 3.4 | | | | PDIP-16 |
| NCV51411DR2G | 1.5A,260kHz Low Voltage Buck Regulator with Synchronization | Buck | V ² | 4.5 | 40 | | 1.5 | | | 260 | SOIC-8 |
| NCV51411PWR2G | 1.5A,260kHz Low Voltage Buck Regulator with Synchronization | Buck | V ² | 4.5 | 40 | | 1.5 | | | 260 | SOIC-16 WB |
| NCV5171EDR2G | 1.5A,260kHz Boost Regulator | PWM Step up | 电流模式 | 2.7 | 30 | | 1.5 | | | | SOIC-8 |
| NCV5173EDR2G | 1.5A,560kHz Boost Regulator | | | | | | | | | | SOIC-8 |
| NCV8842MNR2G | 1.5A,170kHz Buck Regulator with Synchronization | Buck | V ² | 4.5 | 40 | | 1.5 | | | Up to 200 | DFN18 |
| NCV8843MNR2G | 1.5A,340kHz Buck Regulator with Synchronization | Buck | V ² | 4.5 | 40 | | 1.5 | | | Up to 500 | DFN18 |
| NCV8843PWG | 1.5A,340kHz Buck Regulator with Synchronization | Buck | V ² | 4.5 | 40 | | 1.5 | | | Up to 500 | SOIC16 WB |
| NCV8843PWR2G | 1.5A,340kHz Buck Regulator with Synchronization | Buck | V ² | 4.5 | 40 | | 1.5 | | | Up to 500 | SOIC16 WB |

A.1 版本信息

| 修订版本 | 修订日期 | 描述 |
|---------|------------------|------|
| Rev 1.0 | 2008 年 11 月 22 日 | 原始版本 |

A.2 版权声明

广州周立功单片机发展有限公司随附提供的软件或文档资料旨在提供给您（本公司的客户）使用，仅限于且只能在本公司制造或销售的产品上使用。

该软件或文档资料为本公司和/或其供应商所有，并受适用的版权法保护。版权所有。如有违反，将面临相关适用法律的刑事制裁，并承担违背此许可的条款和条件的民事责任。

本公司保留在不通知读者的情况下，修改文档或软件相关内容的权利，对于使用中所出现的任何效果，本公司不承担任何责任。

该软件或文档资料“按现状”提供。不提供保证，无论是明示的、暗示的还是法定的保证。这些保证包括（但不限于）对出于某一特定目的应用此软件的适销性和适用性默示的保证。在任何情况下，公司不会对任何原因造成的特别的、偶然的或间接的损害负责。