

**SONY**<sup>®</sup>

DISK RECORDER CONTROL PANEL

**BKMA-505**

INSTALLATION MANUAL

1st Edition

Serial No. 10001 and Higher

## **⚠ 警告**

このマニュアルは、サービス専用です。

お客様が、このマニュアルに記載された設置や保守、点検、修理など行くと感電や火災、人身事故につながる可能性があります。

危険をさけるため、サービストレーニングを受けた技術者のみご使用ください。

## **⚠ WARNING**

This manual is intended for qualified service personnel only.

To reduce the risk of electric shock, fire or injury, do not perform any servicing other than that contained in the operating instructions unless you are qualified to do so. Refer all servicing to qualified service personnel.

## **⚠ WARNUNG**

Die Anleitung ist nur für qualifiziertes Fachpersonal bestimmt.

Alle Wartungsarbeiten dürfen nur von qualifiziertem Fachpersonal ausgeführt werden. Um die Gefahr eines elektrischen Schlages, Feuergefahr und Verletzungen zu vermeiden, sind bei Wartungsarbeiten strikt die Angaben in der Anleitung zu befolgen. Andere als die angegebenen Wartungsarbeiten dürfen nur von Personen ausgeführt werden, die eine spezielle Befähigung dazu besitzen.

## **⚠ AVERTISSEMENT**

Ce manuel est destiné uniquement aux personnes compétentes en charge de l'entretien. Afin de réduire les risques de décharge électrique, d'incendie ou de blessure n'effectuer que les réparations indiquées dans le mode d'emploi à moins d'être qualifié pour en effectuer d'autres. Pour toute réparation faire appel à une personne compétente uniquement.

# Table of Contents

## Manual Structure

Purpose of this manual .....	3 (E)
Contents .....	3 (E)
Related manuals .....	3 (E)

## 1. Installation

1-1. Installation and Removal of Control Panel .....	1-1 (E)
--	---------

## 2. Service Overview

2-1. Description of Internal Switches .....	2-1 (E)
2-1-1. CP-340 Board .....	2-1 (E)



# Manual Structure

---

## Purpose of this manual

This manual is the installation manual of the BKMA-505 Disk Recorder Control Panel.

This manual is intended for use by trained system and service engineers, and describes the information regarding installation.

---

## Contents

The following is a summary of all the section for understanding the contents of this manual.

### **Section 1 Installation**

Explains how to install the BKMA-505 to the MAV-555.

### **Section 2 Service Overview**

Explains the function and factory setting of the switches on the board.

---

## Related manuals

Besides this Installation Manual, the following manuals are available for the BKMA-505.

- **BKMA-505**

- **Operation Manual (supplied with the BKMA-505)**

- This manual describes the application and operation of the BKMA-505.

- **MAV-555, BKMA-505/510/511/512/570**

- **Maintenance Manual Volume 1 (available on request)**

- This manual describes the information that premise the service based on parts replacement (diagnostics, parts replacement, electrical alignment, and circuit descriptions, etc.).

- If this manual is required, please contact your local Sony Sales Office/Service Center.

- **MAV-555, BKMA-505/510/511/512/570**

- **Maintenance Manual Volume 2 (available on request)**

- This manual describes the information that premise the service based on parts replacement (parts list, block diagrams, schematic diagrams, board layouts, etc.).

- If this manual is required, please contact your local Sony Sales Office/Service Center.



# Section 1 Installation

## 1-1. Installation and Removal of Control Panel

### Note

Be sure to turn off the power of the MAV-555 before starting to remove or attach the blank panel and/or control panel.

### Removing the blank panel

1. Raise the blank panel to position A in the front.

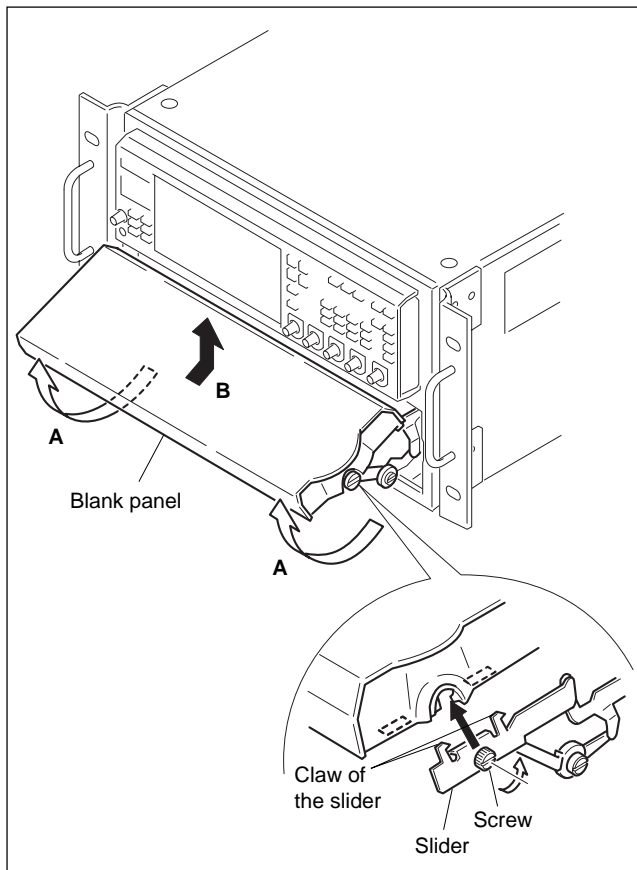
### Note

Raise both the right end and left end to the same height.

2. Loosen sufficiently the two screws of the blank panel. Remove the blank panel in the direction of arrow B as shown.
3. Attach the blank panel by reversing the procedure of removal.

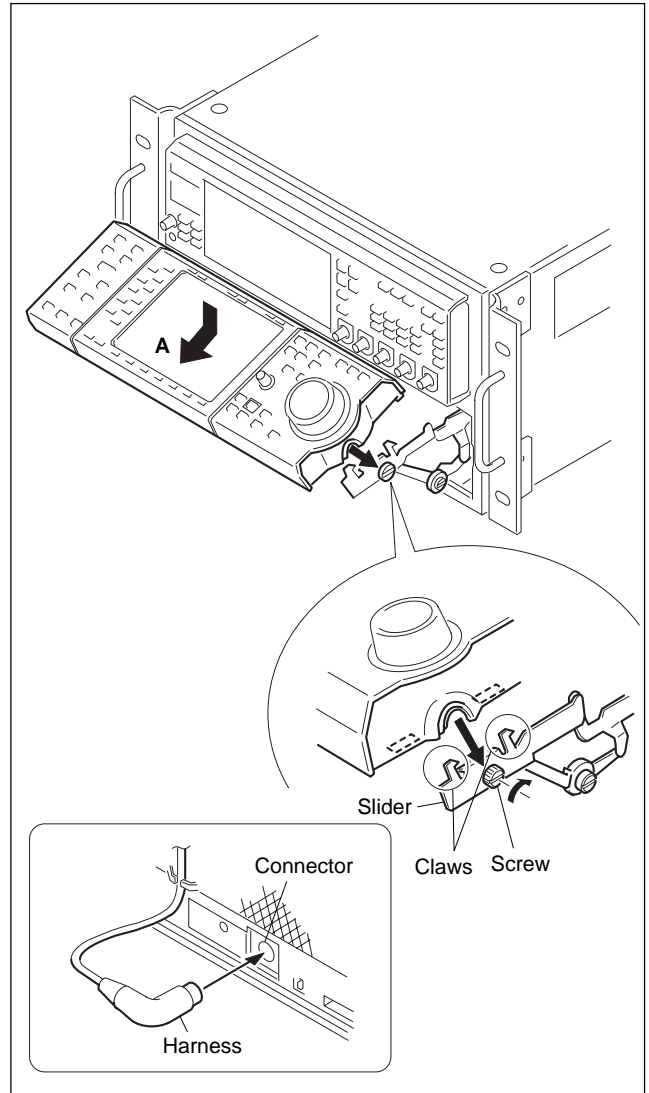
### Note

Attach the blank panel so that both the right end and left end are at the same height.



### Removing the control panel

1. Remove the blank panel. (Refer to Section 1-1.)  
Raise the right and the left hinges of the control panel in the slanted position to the same height.
2. Insert the claws of the right and the left sliders into the holes of the control panel gently in the direction of arrow A, then tighten the two screws.
3. Insert the cable coming from the control panel to the connector of the BKMA-505, and clamp the connector.

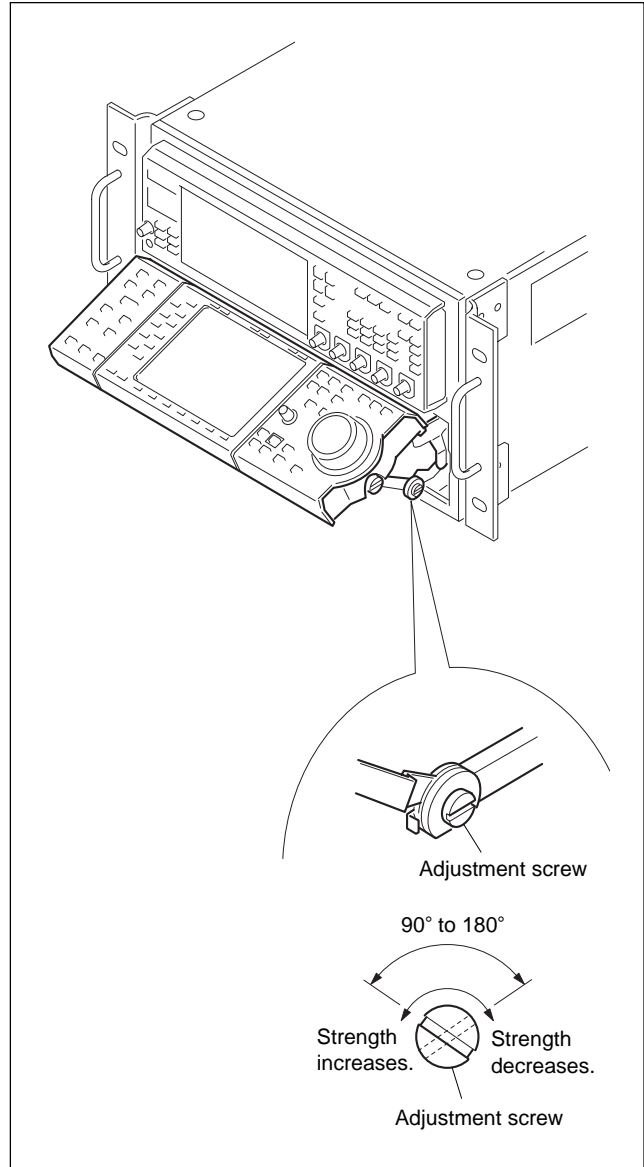


### Adjusting strength of opening/closing the control panel

On the both sides of the control panel of the MAV-555 has a screw for adjusting the strength of opening/closing the control panel. The strength increases when the screw is turned clockwise and decreases when it is turned counter-clockwise. The screw can be turned in the range of 90° to 180°. Adjust the strength as desired.

**Note**

Do not open or close the control panel with the screw turned fully in the clockwise direction.





## Section 2 Service Overview

### 2-1. Description of Internal Switches

#### 2-1-1. CP-340 Board



Side A (Component side)

#### Switches

**Note**

Do not change the setting of the switches described as “Factory use only.”

Ref. No.	Address	Name	Description	Factory setting
S101	(H-2)	Reset switch	Initializes the CP-340 board	—
S301	(E-2)	WRITE switch	Factory use only	



このマニュアルに記載されている事柄の著作権は当社にあり、説明内容は機器購入者の使用を目的としています。

従って、当社の許可なしに無断で複製したり、説明内容(操作、保守等)と異なる目的で本マニュアルを使用することを禁止します。

The material contained in this manual consists of information that is the property of Sony Corporation and is intended solely for use by the purchasers of the equipment described in this manual.

Sony Corporation expressly prohibits the duplication of any portion of this manual or the use thereof for any purpose other than the operation or maintenance of the equipment described in this manual without the express written permission of Sony Corporation.

Le matériel contenu dans ce manuel consiste en informations qui sont la propriété de Sony Corporation et sont destinées exclusivement à l'usage des acquéreurs de l'équipement décrit dans ce manuel.

Sony Corporation interdit formellement la copie de quelque partie que ce soit de ce manuel ou son emploi pour tout autre but que des opérations ou entretiens de l'équipement à moins d'une permission écrite de Sony Corporation.

Das in dieser Anleitung enthaltene Material besteht aus Informationen, die Eigentum der Sony Corporation sind, und ausschließlich zum Gebrauch durch den Käufer der in dieser Anleitung beschriebenen Ausrüstung bestimmt sind.

Die Sony Corporation untersagt ausdrücklich die Vervielfältigung jeglicher Teile dieser Anleitung oder den Gebrauch derselben für irgendeinen anderen Zweck als die Bedienung oder Wartung der in dieser Anleitung beschriebenen Ausrüstung ohne ausdrückliche schriftliche Erlaubnis der Sony Corporation.

