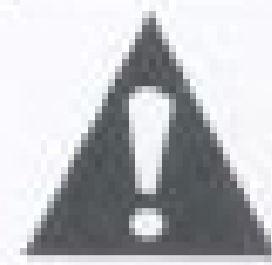


## Product Features



\*Turbo Drum\* washer doesn't operate while the lid is open. If the lid is open during the wash, rinse or spin cycles, the operation stops for safety.

### Fuzzy logic control

- A built-in load sensor automatically detects the laundry load and a microprocessor optimizes washing conditions such as ideal water level and washing time.
- Advanced technology is built into the Electronic Control System which ensures the best washing result.



### Turbo drum washing

- When "Punch +3" washing wings turn, the washing tub turns in the opposite direction. This makes the both sides current of water which improve wash-performance by rubbing clothes strongly.



### Innovated washing wings

- Three small washing wings generate strong and sharp washing currents to clean laundry uniformly.
- Adjusted vertical movement and rotating directions of the washing punch reduce laundry entanglement and improve washing performance.

### 3 Step washing

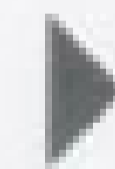
- 3 step washing makes the best washing performance with low tangling.



Rubbing



Rubbing and Shaking



Shaking and Disentangling

### Devices for removing nap

- Lint filter catch nap and thread generated during washing to make the laundry cleaner.



## Contents

### READ THIS MANUAL

Inside you will find many helpful hints on how to use and maintain your washer properly. Just a little preventive care on your part can save you a great deal of time and money over the life of your washer. You will find many answers to common problems in the Troubleshooting section. If you review our chart of Troubleshooting Tips first, you may not need to call for service at all.

<b>Introduction</b>	Safety Information	4
	Identification of Parts	5
	Function Information	6
<b>Before Starting to Wash</b>	Preparation Before Washing	7
	Use of Water, Detergent, Bleach and Softener	8
	How to Remove Stains	11
	Function of each Button	12
<b>Washing Programs</b>	Fuzzy Wash(Normal Wash)	14
	Jean Wash	14
	Wool Wash	14
	Soak Wash	14
	Economy Wash	14
<b>Additional Function Options</b>	Delay Start(Reservation)Wash	16
	Option Washing	17
	Other useful Functions	18
<b>Installation</b>	Placing and Leveling	19
	Connecting Water Supply Hose	20
	Connecting Drain Hose	23
<b>Care and Maintenance</b>	Grounding Method	24
	Cleaning and Maintenance	25
<b>Troubleshooting</b>	Troubleshooting	27
<b>Terms of Warranty</b>	Terms of Warranty	30
<b>Specification</b>	Specification	31

# Safety information

## ⚠ WARNING!

Read and follow this safety information carefully.

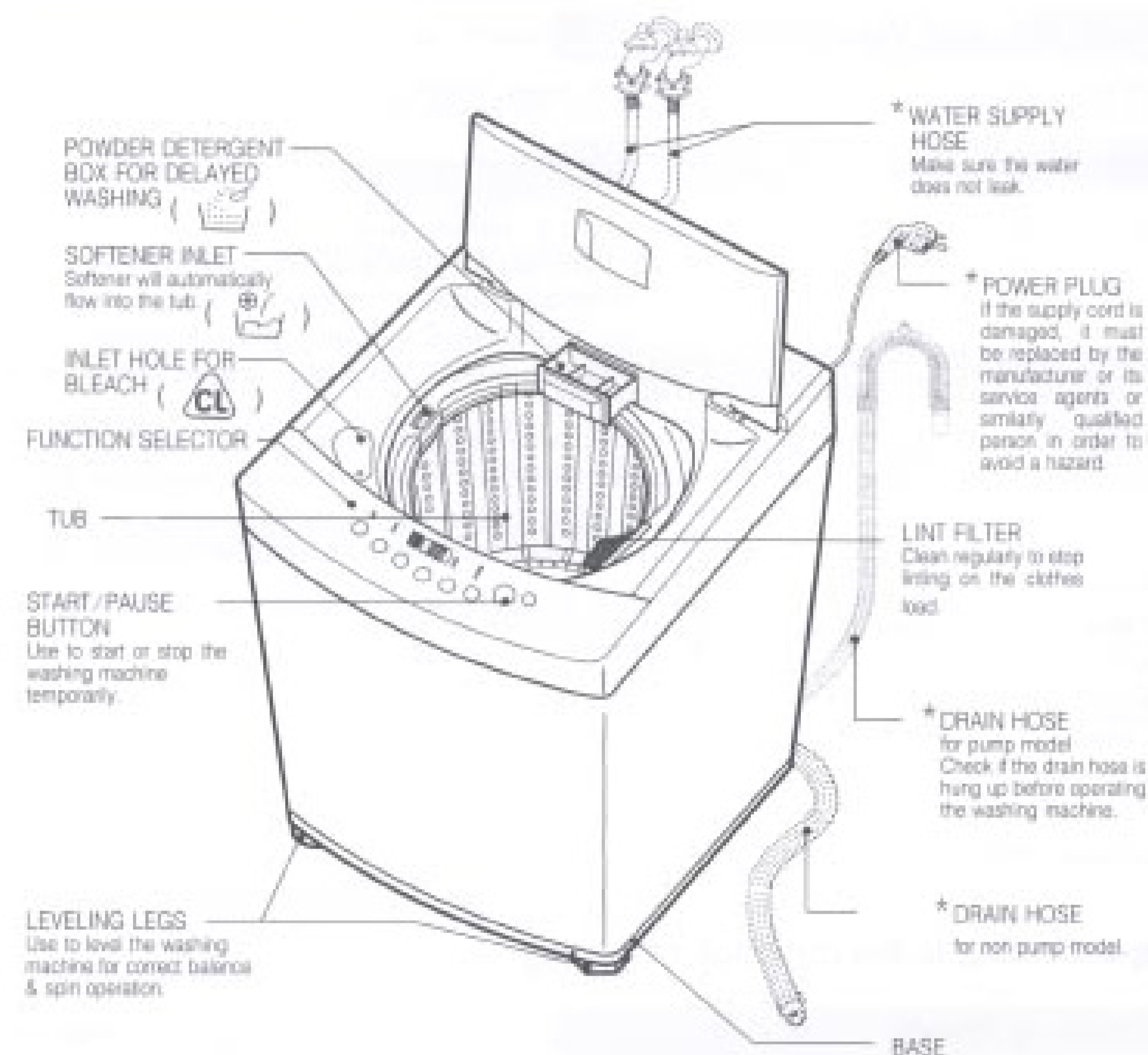
For your safety, the information in this manual must be followed to minimize the risk of fire or explosion, electric shock, or to prevent property damage, personal injury, or loss of life.

Save these instructions.

<b>WATER HEATER SAFETY</b>	<ul style="list-style-type: none"> <li>Under certain conditions hydrogen gas may be produced in a water heater that has not been used for two weeks or more. Hydrogen gas can be explosive under these circumstances. If the hot water has not been used for two weeks or more, prevent the possibility of damage or injury by turning on all hot water faucets and allowing them to run for several minutes. Do this before using any electrical appliance which is connected to the hot water system. This simple procedure will allow any built-up hydrogen gas to escape. Since the gas is flammable, do not smoke or use an open flame or appliance during this process.</li> </ul>
<b>PROPER INSTALLATION</b>	<ul style="list-style-type: none"> <li>Install or store where it will not be exposed to temperatures below freezing or exposed to the weather.</li> <li>Properly ground washer to conform with all governing codes and ordinances. Follow details in Installation Instructions.</li> </ul>
<b>YOUR LAUNDRY AREA</b>	<ul style="list-style-type: none"> <li>Keep the area underneath and around your appliances free of combustible materials such as lint, paper, rags, chemicals, etc.</li> <li>Close supervision is necessary if this appliance is used by or near children. Do not allow children to play on, with, or inside this or any other appliance.</li> </ul>
<b>WHEN USING THE WASHER</b>	<ul style="list-style-type: none"> <li>Use this appliance only for its intended purpose as described in this Owner's Manual.</li> <li>Never reach into washer while it is moving. Wait until the machine has completely stopped before opening the lid.</li> <li>Do not mix chlorine bleach with ammonia or acids such as vinegar and/or rust remover. Mixing different chemicals can produce a toxic gas which may cause death.</li> <li>Do not wash or dry articles that have been cleaned in, washed in, soaked in, or spotted with combustible or explosive substances (such as wax, oil, paint, gasoline, dry-cleaning solvents, kerosene, etc.) which may ignite or explode. Do not add these substances to the wash water. Do not use or place these substances around your washer or dryer during operation.</li> <li>The laundry process can reduce the flame retardancy of fabrics. To avoid such a result, carefully follow the garment manufacturer's wash and care instructions.</li> <li>To minimize the possibility of electric shock, unplug this appliance from the power supply or disconnect the washer at the household distribution panel by removing the fuse or switching off the circuit breaker before attempting any maintenance or cleaning.</li> </ul> <p><b>NOTE: Pressing Power button to turn off does NOT disconnect the appliance from the power supply.</b></p> <ul style="list-style-type: none"> <li>Never attempt to operate this appliance if it is damaged, malfunctioning, partially disassembled, or has missing or broken parts, including a damaged cord or plug.</li> </ul>
<b>WHEN NOT IN USE</b>	<ul style="list-style-type: none"> <li>Turn off water faucets to relieve pressure on hoses and valves and to minimize leakage if a break or rupture should occur. Check the condition of the fill hoses; they may need replacement after 5 years.</li> <li>Before discarding a washer, or removing it from service, remove the washer lid to prevent children from hiding inside.</li> <li>Do not attempt to repair or replace any part of this appliance unless specifically recommended in this Owner's Manual, or in published user-repair instructions that you understand and have the skills to carry out.</li> <li>Do not tamper with controls.</li> </ul>

# Identification of Parts

## Body



## Accessories

### Water supply hoses



1 Each for cold and hot water

### Drain hose



(for Non-pump)

(for pump)

### Anti-rat cover (option)



or

## Note

\* \* Part can be different according to the model.

## Function Information

Our machine provides various washing methods which suits various conditions and types of laundry.

### Different types of laundry washing

#### Fuzzy(Normal)Wash

Use this Program for everyday washing e. g. sheets, towels, T-shirts. (refer to p14)

#### Jean Wash

Use this Program for heavily soiled durable garments e. g. overalls, jeans.  
Thick and heavy clothes or those which are excessively dirty like jeans or working uniforms can be washed. (refer to p14)

#### Wool Wash

Delicate clothes (lingerie, wool, etc.) which may be easily damaged can be washed. (refer to p14)  
The fibers of machine washable wools have been specifically modified to prevent felting when they are machine washed.

Most handknitted garments are not made of machine washable wool and we recommend that you hand wash them.

- Before washing your wools check the care label for the washing instructions.
- When washing wools use a mild detergent recommended for washing wool.
- Hand washed wools may be spun in a washing machine to reduce the time they take to dry.
- To dry wools lay down them flat on a towel and pat into shape. Dry wools out of direct sunlight. (The heat and tumble action of a dryer may cause shrinkage or felting of woolen garments.)

Some wool underlays and sheepskin products can be washed in a washing machine but may cause pump blockages. (Ensure that the whole article is suitable for machine washing and not just the backing material.) You may wish to handwash these articles and place them in the machine to spin dry.

### Washing according to the condition of laundry

#### Economy Wash

Economy wash can be selected to wash lightly soiled clothes of less than 2.0kg in a short time. (refer to p14)

#### Soak Wash

Soak Wash can be selected to wash heavily soiled laundry by soaking it in water for sometime to remove dirt and grime. (refer to p14)

### Other washing method

#### Delay start Wash

Delay start Wash is used to delay the finishing time of the operation.  
The number of hours to be delayed can be set by the user accordingly. (refer to p16)

#### Option Wash

When the user needs only Spin, Rinse/Spin, Rinse, Wash/Rinse, Wash, Soak/Wash/Rinse/Spin, Soak/Wash/Rinse, Soak/Wash. (refer to p17)

## Preparation Before Washing

### Care Labels

- \* Look for a care label on your clothes. This will tell you about the fabric content of your garment and how it should be washed.  
Sort clothes into loads that can be washed with the same wash cycle, water temperature and spin speed.



### Sorting

To get the best results, different fabrics need to be washed in different ways.

- SOIL (Heavy, Normal, Light) Separate clothes according to the type and amount of soil.
- COLOR (Whites, Lights, Darks) Separate white fabrics from colored fabrics.
- LINT (Lint producers, Collectors) Separate lint producers and lint collectors.

Lint Producers

Terry cloth, Chenille, Towels, Nappies, Diapers

Lint Collectors

Synthetics, Corduroy, Permanent Press, Socks



### Check before Loading

- Check all pockets to make sure that they are empty. Things such as nails, hairclips, matches, pens, coins, and keys can damage both your washer and your clothes.
- Mend any torn garments or loose buttons. Tears or holes may become larger during washing.
- Remove belts, underwires, etc. to prevent damage to the machine or your clothes.
- Pretreat any dirt and stains.
- Make sure the clothes are washable in water.
- Check the washing instructions.



### Loading

Do not wash fabrics containing flammable materials (waxes, cleaning fluids, etc.).

#### Load Size

The water level should just cover the clothes. Adjust the load size accordingly. Loosely load clothes no higher than the top row of holes in the washer tub. To add items after washer has started, press Start button and submerge additional items. Close the lid and press Start button again to restart.

#### Light and Large-sized clothing

Clothes like downs and wools are light weight, large and float easily. Use a nylon net and wash them in a small amount of water.

If the laundry floats during the wash cycle, it may become damaged.

Use dissolved detergent to prevent the detergent from clumping.



#### Long laundry items

Use nylon nets for long, delicate items.

For laundry with long strings or long length, a net will prevent tangling during washing. Fasten zippers, hook, and strings to make sure that these items don't snag on other clothes.



\* Nylon net is not supplied by LG.

! WARNING



Fire Hazard

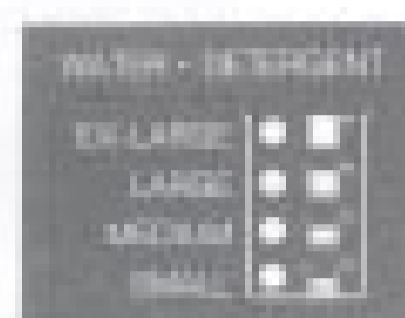
Never place items in the washer that are dampened with gasoline or other flammable fluids. No washer can completely remove oil. Do not dry anything that has ever had any type of oil on it (including cooking oils). Doing so can result in death, explosion, or fire.

# Use of Water, Detergent, Bleach and Softener

## Using water

### Amount of Water Level

- This machine detects the quantity of laundry automatically, then sets the water level and proper amount of detergent.
- When you select a wash program, the water level and amount of detergent (to be used) will be shown on the control panel.
- The following table shows the amount of water.
- When the water level is automatically detected, it may differ depending on the quantity of laundry even though the same water level is indicated on the control panel.
- The amount of a cup in the diagram is about 40g for concentrated detergent.



### Water temperature

- The machine sets the appropriate temperature automatically according to the wash program.
  - You can change the water temperature by pressing the WATER TEMP button. (refer to p12)
  - The temperature of the water impacts the effectiveness of all laundry additives and therefore, the cleaning results. We recommend temperatures of:
    - HOT 49 – 60°C... (120 ~ 140°F) White items, diapers, underclothing and heavily soiled, colorfast items.
    - WARM 29 – 40°C... (85 ~ 105°F) Most items
    - COLD\* 18 – 24°C... (65 – 75°F) Only very bright colors with light soil.
  - When washing in cold water additional steps may be needed:
    - Adjust detergent amount and pre-dissolve detergent in warm water
    - Pretreat spots and stains
    - Soak heavily soiled items
    - Use appropriate bleach
- \* Temperature below 18°C... (65°F) will not activate laundry additives and may cause lint, residue, poor cleaning, etc. In addition, detergent manufactures and care labels define cold water as 26 ~ 29°C... (80 ~ 85°F). If the temperature of the water in the tub is too cold for your hands, the detergent will not activate and clean effectively.

## Using Detergent and Fabric Softener

### Detergent

Follow the detergent package directions. Using too little detergent is a common cause of laundry problems. Use more detergent if you have hard water, large loads, greasy or oily soils or lower water temperature.

### Choosing the right detergent

We recommend the use of domestic detergent, (powder, liquid or concentrated). Soap flakes or granulated soap powders should not be used in your washing machine. When washing woolsens remember to use detergent suitable for washing woolsens.

## Using Detergent and Fabric Softener

### How much detergent

When you select a wash program the water level and the amount of detergent (to be used) will be shown on the control panel. The amount of a cup in the diagram is about 40g for concentrated detergent.

The correct amount of detergent will vary depending on the amount of soil in your clothes (jeans and work clothes may need more detergent, while bath towels usually need less).

For liquid and concentrated detergents, follow the recommendations of the detergent manufacturer.

**Note:** To check you are using the correct amount of detergent, lift the lid of your machine about half-way through the wash. There should be a thin layer of foam over the surface of the water. Lots of foam may look good, but it does not contribute to cleaning your clothes. No foam means not enough detergent has been used; soil and lint can settle back on the clothes or the washing machine.

If excess detergent is used, the rinse will not be as clean and efficient. Also, it could cause environmental pollution, so use it accordingly.

### Adding the detergent

Open the detergent dispenser and deposit the appropriate amount of detergent.

Where you deposit the detergent.

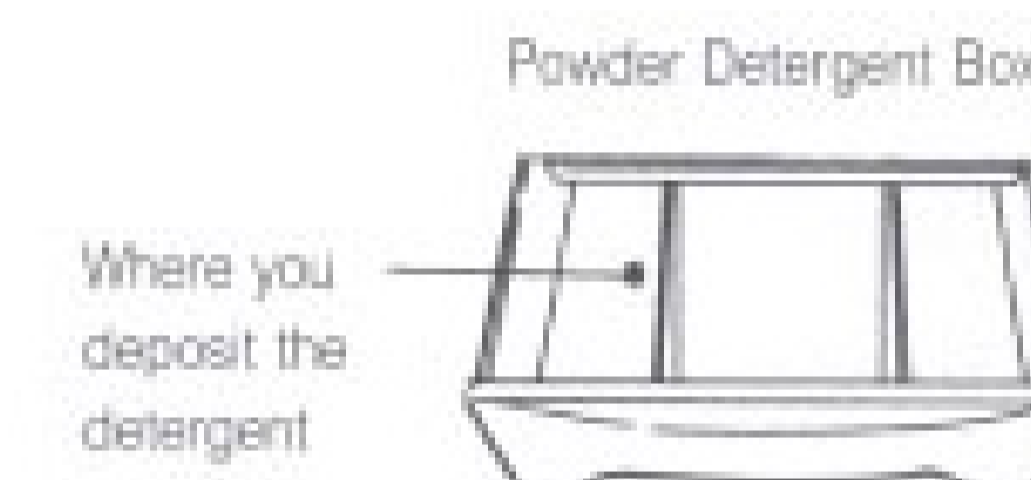
Powder Detergent dispenser.

Some detergents MUST be fully dissolved before adding to your machine to get the best wash results.

Check the instructions on the detergent packet.

If you use powdered detergent it is essential that the required amount be fully dissolved in very hot water before being added to warm or hot water for the actual wash.

Pre-dissolving detergent in warm water when washing in cold water can improve its performance.



## Use of Water, Detergent, Bleach and Softener

### Available Fabric Softener Type

- Do not use concentrated fabric softener. This may cause some problems in automatic dispensing.
- For more details refer to the softener products instructions for use.

### Depositing Fabric softener

- ⚠ Don't use softener with detergent. Use softener in last rinse water.
- When using dispenser, dilute softener (30ml) with fresh water (30ml).
- When filling dispenser, do not splash or overfill. It may stain clothes.
- Never pour fabric softener directly on clothes. It may stain them. If spotting occurs, wet and rub hand dishwashing liquid (or mild bar soap) and rewash.

Softener dispenser



### Note

Fabric Softener will be dispensed automatically during the final rinse.

## Using Bleach

Check fabric care labels for special instructions.

### Available Bleach Type

- Use oxygenated bleach.
- Powdered bleach should be mixed with water and then be deposited into the tub.
- For more details refer to the products instruction for use.

### Depositing Bleach

- Separate the laundry to be bleached.
- Measure liquid bleach carefully, following instructions on the bottle.
- Before starting the washer, pour measured amount of bleach directly into bleach dispenser.
- Avoid splashing or over-filling dispenser. If you prefer to use powdered bleach, add it into the wash basket with your detergent.
- The dispenser dilutes liquid bleach before it reaches into your wash load.

Bleach dispenser



### Attention

- Never pour undiluted liquid bleach directly onto clothes or into the wash basket. This may cause change of color or damage the laundry.
- Do not mix chlorine bleach with ammonia or acids such as vinegar and/or rust remover. Mixing can reduce a toxic gas which may cause death.
- Do not pour powdered bleach into bleach dispenser.

## How To Remove Stains

### How To Remove Stains

#### Pretreating dirt and stains

Brush a little washing detergent dissolved in water onto stains, collars, and cuffs to help shift dirt. The secret of stain treatment is immediate action. When an accident happens, plunge the stained area into cold water, or sponge it down. This prevents the stain from setting. Wash as soon as possible afterwards.

- Treat stains AS SOON AS POSSIBLE. The longer they are left, the harder they are to remove.
- Always consider the type of fabric you are treating to make sure you do not use a water temperature that is too hot or a treatment that will alter the color of the fabric. It pays to pre-wash products and solvents on an inconspicuous part of the garment first.
- Place the garment being treated on an absorbent cloth (e.g. on an old towel). Work from the reverse side of the stain, as this can force the stain off the fabric instead of through it.
- Use cold or warm water on unknown stains as hot water can set some stains.
- Some stains are not easily seen when the fabric is wet. Do air dry the stained garment to be sure the stain has been removed, as heat from a dryer may set the stain.
- Take care with stain removal treatments as they are often flammable and highly poisonous. Do not use them in your washer as they may damage the paint or plastic components.
- Some pretreatment sprays or liquids can damage your washer's control panel.

### Diaper Sanitizers

- Diaper sanitizers are very corrosive to metal surfaces. DO NOT soak diapers in sanitizers in your washer or tip the contents of the diaper bucket into your machine. Rinse and wring diapers out thoroughly before placing them in your machine.

### Diapers

- Scrape off any excess baby cream, such as Vaseline from the diapers before washing and handwash to prevent the cream being transferred to other items in the wash.

# Function of each Button

## Water temperature button (option)

- Use to select water temperature. Pressing the button allows you to select Cold ▶ Warm (Hot & Cold) ▶ Hot ▶ Cold respectively. Default setting is Cold.

## Water level button (indication of detergent amount)

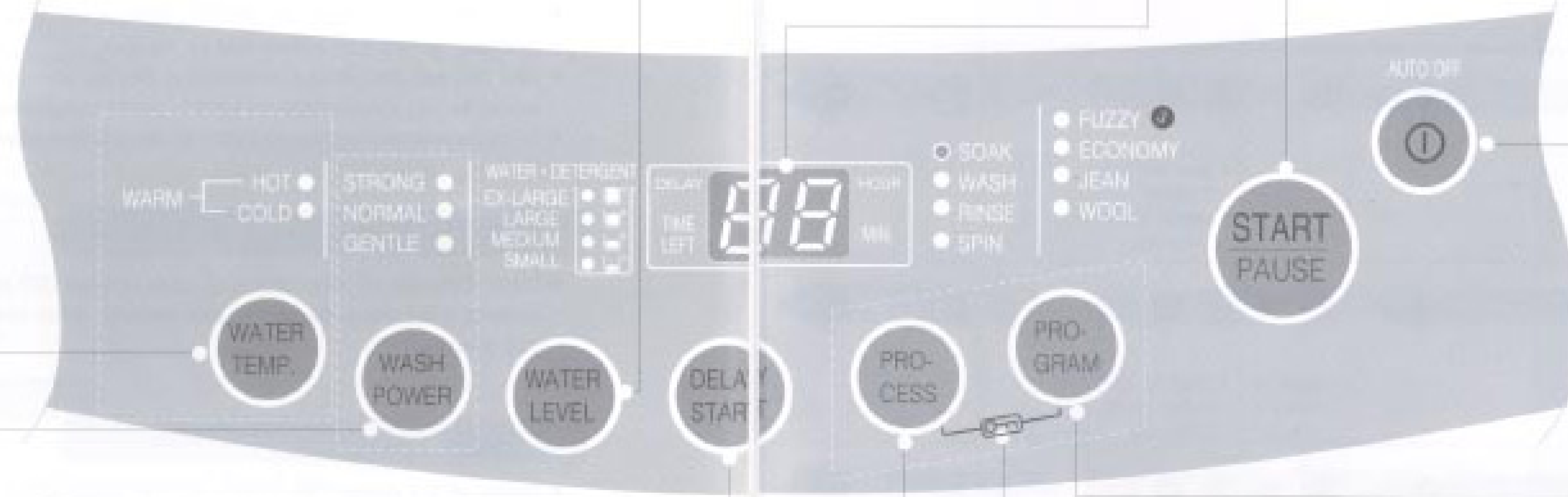
- Use to adjust the water level as required. The appropriate amount of detergent is shown next to the water level in the WATER-DETERGENT diagram.
- Water level is automatically selected for fuzzy (normal) program. The following settings are indicated as the button is pushed LARGE ▶ EX-LARGE ▶ SMALL ▶ MEDIUM ▶ LARGE

## Time left, Delay Start (Reservation), Alarm indication

- Time left - During operation, the remaining time is indicated.
- Delay Start indication (Reservation) - When delay start (reservation) program is selected, it indicates the finishing time. (RES. = DELAY)
- Alarm indication - When an error occurs, an error message appears to indicate the abnormality. For example, dE indicates that the lid is open.

## Start/Pause button

- Use to start or pause the washing process.
- Repeats start and pause by pushing the button.
- The power goes off automatically 10 minutes after stopping.



## AUTO OFF (Power) button

- Use to turn the power on or off.
- Push again and power goes on or off.
- The power goes off automatically about 10 seconds after the wash is finished.

## Wash power button (option)

- Use it to adjust the strength of water current.
- Power option selections light up in sequence as follows NORMAL → STRONG → GENTLE → NORMAL.
- Adjustment can be made while washing.

## Delay Start (Reservation) button

- Use to set a delayed finishing time.
- The time increases when the button is pushed.
- The following settings are indicated as the button is pushed 3 → 4 → 5 → ... 11 → 12 → 14 → 16 → ... 46 → 48 → 3 HOUR.
- To cancel delay time, turn the power switch off. (refer to 16p)

## Process button

- Use to select SOAK, WASH, RINSE and SPIN functions as desired.

## Child lock function

- Use to lock or unlock the control buttons to prevent settings from being changed by a child.
- To lock, push the PROCESS and PROGRAM buttons simultaneously and to unlock push them one more time during the washing process (refer to p16)

## Program button

- Use for selecting wash program.
- This button allows you to select 4 different programs for different kinds of laundry and dirtiness.
- Program selections light up in sequence as follows: FUZZY (NORMAL) ▶ ECONOMY ▶ JEAN ▶ WOOL ▶ FUZZY (NORMAL) etc. Select the desired program by pressing the button.

### Note

\* The control panel may differ according to different models

\* : 3 step works at large and medium water level of Fuzzy course.





# Washing Programs

Washing Programs	AUTO OFF 	Add the laundry 	WATER-DETERGENT 	WATER-DETERGENT 	Add the detergent
<b>Fuzzy Washing (Normal Wash)</b> Used for normal loads, this mode automatically selects the most appropriate conditions and completes the sequence in one operation. The built-in sensor detects the size of the load and the ideal wash power and wash, rinse and spin times are set accordingly.					 • Add the appropriate quantity of detergent as indicated by the water level next to <b>WATER-DETERGENT</b> . Or follow the detergent manufacturer's instructions.
<b>Economy Wash</b> Use this mode when washing lightly soiled clothes for a short time. The weight should be under 2.0kg.					 • Select the <b>ECONOMY</b> program on the Control panel.
<b>Jeans Wash</b> Use Jeans program when washing Jeans of different sizes.					 • Spread the jeans evenly in the tub. • Select the <b>JEANS</b> program on the Control panel.
<b>Wool Wash</b> Use this program for washing delicate fabrics such as lingerie and woolsens. (wash only "water washable" clothes). Before washing your woolsens check the care label for the washing instructions. (wash only water washable clothes).					 • Select the <b>WOOL</b> program on the Control panel. • Use neutral detergent appropriate for the laundry. • When washing woolsens use a mild detergent recommended for washing wool.
<b>Soak Wash</b> Use this mode for washing excessively dirty laundry by soaking in water for some time to remove proteins and fats. "SOAK" mode can be used with all washing programs simultaneously except for "WOOL" program.					 • SOAK will not work in WOOL Program.

• Keep pressing the PROCESS button until the SOAK light is on and then WASH. RINSE, SPIN lights are on simultaneously.  
 • If necessary, select the desired washing process from (SOAK + WASH + RINSE + SPIN), (SOAK + WASH + RINSE), (SOAK + WASH) manually.

• SOAK  
 • WASH  
 • RINSE  
 • SPIN

# Washing Programs

START PULSE 	Close the lid 	Finish 	Caution & Note
 • The pulsator rotates for 6 seconds to detect the laundry load. • Then the water level and the amount of detergent to be used will be shown and water will be supplied.	 • Water will be supplied for 2 minutes after the start of the wash to supplement the water the laundry has absorbed.	 • When the wash program ends, the buzzer will ring for 10 seconds before the power goes off automatically.	• If water is already in the tub, or putting wet laundry into the tub before starting will increase the water level. • With lightweight bulky loads, water level can be set low. • Changes to water temperature (hot/cold) and wash level are possible during operation. (refer to p.12)
			
			
			• When setting the water level manually, do not set to MEDIUM to prevent damage to laundry. • Washing with hot water may damage the laundry (Water is set to cold automatically). Ensure that the load is under 2kg. • In order to avoid damage to laundry, the spin cycle may appear slow. This also avoids wrinkles and clothing may still contain some water. This is normal. • Soak Wash cannot be selected for the Wool Wash program.
 • The water level and the amount of detergent to be used will be shown and water will be supplied.			

## Delay Start (Reservation) Wash

Delay Start (Reservation) Wash is used to delay the finishing time of the operation.  
The hours to be delayed can be set by the user accordingly.  
The time on the display is the finishing time, not the start time.

- 1 Press the **POWER** button to turn power on.

AUTO OFF



- 2 Press the **PROGRAM** button to select the washing program.

PRO-GRAM

- Select the program for laundry on the Control panel.  
This program will not work in Wool Program.

- 3 Press the **DELAY START (Reservation)** button to set the time when the delayed washing is to be completed.

DELAY START

- How to set the delay time.

Example: It's 7 a. m. now. If you'd like your wash to finish at 9 a. m. set the time as in the figure below.

When you push the button the reservation time changes [3→4→5→...12→14→16→...→48→3] repeatedly.



(RES. = DELAY)

- 4 Add the laundry and press the **START/PAUSE** button.

START PAUSE

- When you press the **START/PAUSE** button the light will blink.

- 5 Add the detergent.

- The appropriate quantity of detergent marked next to the water level of **WATER-DETERGENT**.
- When the lid is open the machine will not operate, and an alarm signal will remind you to close the lid.

- 6 Close the lid.

- Water will be supplied for 2 minutes after the start of the wash to supplement the water the laundry has absorbed.

Finish The washing will be finished according to the delayed time.

### Note

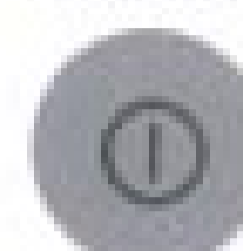
- If the lid is open, the machine will not work, and an alarm signal will alarm to remind you to close the lid.
- To select washing program, spinning time, water level or hot/cold manually, press the **DELAY START (RESERVATION)** button and select the desired option. Then press the **START/PAUSE** button.
- When the laundry cannot be taken out immediately after the wash program ends, it is better to omit the spinning program. (The laundry will be wrinkled if left for a long time after spinning).

## Option Washing

When you only need the Wash, Wash/Rinse or Rinse cycles, these can be set manually.

- 1 Press the **AUTO OFF (Power)** button to turn power on.

AUTO OFF



- 2 「Wash」, 「Wash + Rinse」, 「Rinse」, 「Rinse + Spin」, 「Spin」 only options

PRO-CESS

- Press the **PROCESS** button until above Option Washing light is on. (refer to p13)
- When you want to only drain, wait until the water in the washing tub drains completely and then, turn off the power.

- 3 Press the **WATER LEVEL** button, to control the water level according to the amount of laundry. If you do not choose anything, it is set the **LARGE** water level automatically.

WATER LEVEL

- 4 Add the laundry into the washing tub.

- 5 Press the **START/PAUSE** button.

START PAUSE

- 6 Add the detergent and close the lid.

### Note

- When a **Wash**, **Wash/Rinse** or **Rinse** only option is selected, the water will not be drained off after the wash is completed. If you wish to drain the water, press the **SPIN** button and wait until the water in the tub has drained completely. Then press the **START/PAUSE** button.
- If you do not specify the water level, then **LARGE** will be automatically selected.
- If only **Rinse** is selected, the process will start from **Water Supply**.



## Other Useful Functions

### Child Lock Function

If you want to lock all the keys to prevent settings from being changed by a child, you can use the child lock option.

#### How to Lock

- 1 Press the **POWER** button.

AUTO OFF



- Turn Power on.

- 2 Press the **START/PAUSE** button to start washing.

START  
PAUSE

- After all washing conditions are set according to the manual.

- 3 Press both the **PROCESS** button and the **PROGRAM** button simultaneously.

PRO-  
CESS

PRO-  
GRAM

- During the wash program, all the buttons are locked until washing is completed or until the child-lock function is deactivated manually.
- "CL" and the remaining time will be displayed alternately in child-lock mode.

#### How to Unlock

If you want to unlock during wash, press both the **PROCESS** and the **PROGRAM** button simultaneously again.

### Auto Restart

Although the machine will not work during a power failure or if power is interrupted, when power is resumed, it will start again automatically from the point in the cycle when it stopped.

### Mute Option

If you want to use the washing machine without alarm signal sounds, press both the **WATER LEVEL** and **PROCESS** buttons simultaneously.

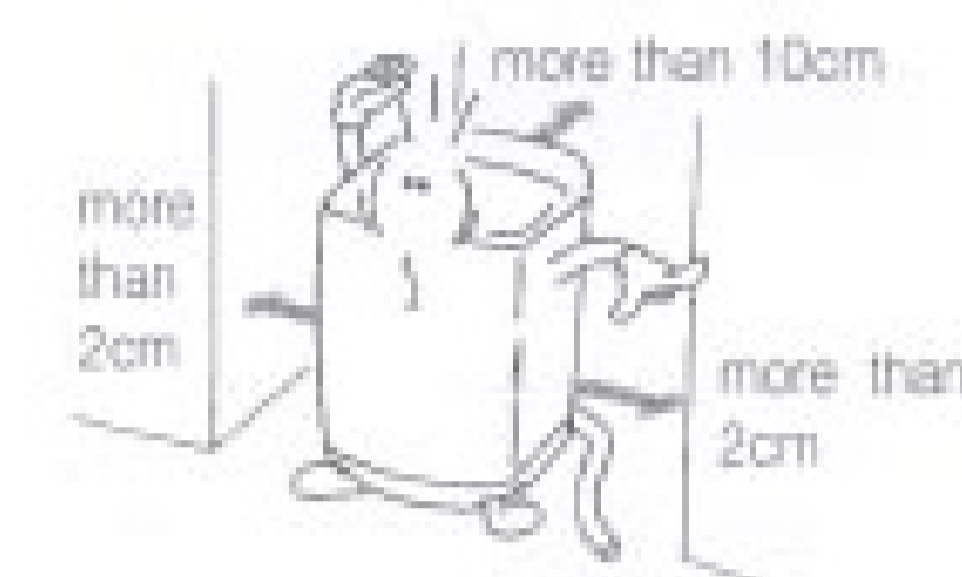
To make buzzer work, press both the **WATER LEVEL** and **PROCESS** buttons simultaneously one more time.

## Placing and Leveling

Please ensure that transit restraint has been removed before operating your machine.

- 1 Place the machine on a flat and firm surface which allows proper clearance.

We suggest a minimum clearance of 2cm to the right side and left sides of the machine for ease of installation. At the rear, a minimum clearance of 10cm is suggested.



- 2 Check that the machine is level.

Open the lid and look from above to see if it is same as shown.

Top view of the machine



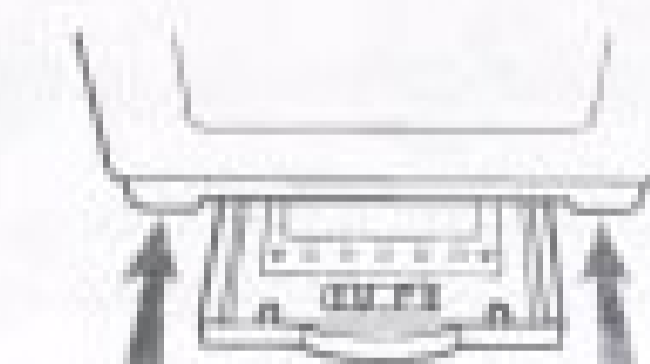
- 3 Leveling the machine

Lift the front of the washing machine and twist the Adjustable Leg until the washing machine is placed evenly.



- \* Installing the Anti-Rat Cover (option)

The anti-rat cover should be affixed firmly from the back of the washer.



### Caution

If the power is supplied from a cord extension set or generator, the cord extension set or electrical portable outlet device should be positioned so that it is not exposed to splashing or ingress of moisture.

# Connecting Water Supply Hose

Before connecting the Water Supply Hose to the water tap, check the hose type and then choose the correct instruction here under.

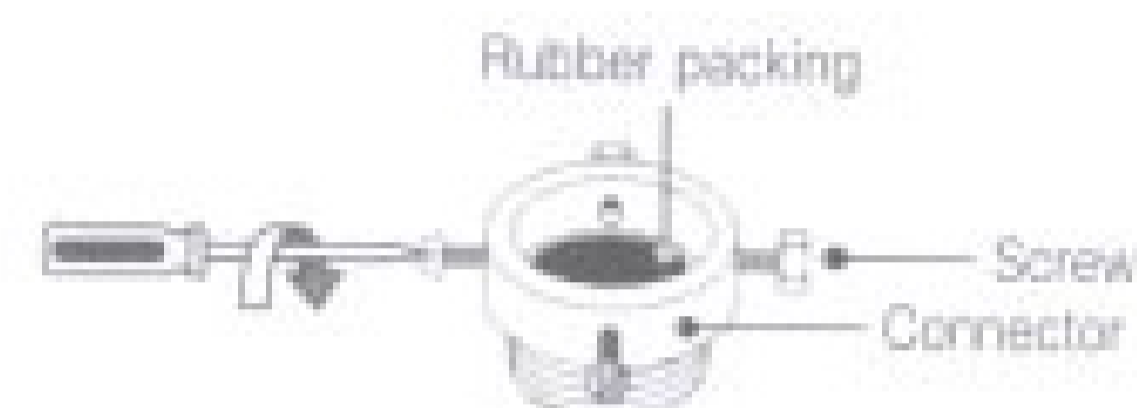
Note that the Water Supply Hose supplied may vary from country to country. Make sure to connect the blue inlet hose to the cold water tap, and the orange inlet hose to the hot water tap.

## Connecting Water Supply Hose to water tap

### Normal type (Normal tap without thread & screw type inlet hose.)

#### 1 Untighten the screw

Untighten the screw of the connector so that the tap can be placed in the middle.



#### 2 Fixing the connector to the tap

Push the upper connector up till the rubber packing is in tight contact with the tap. Then tighten the 4 screws.



#### 3 Attach the water supply hose securely to the connector

Push the water supply hose vertically upwards so that the rubber seal within the hose can adhere completely to the tap.



#### 4 Fixing the connector to the water supply hose

Attach the water supply hose to the connector and then tighten it by screwing it to the right.



#### 5 Check the connection of water supply hose and the connector

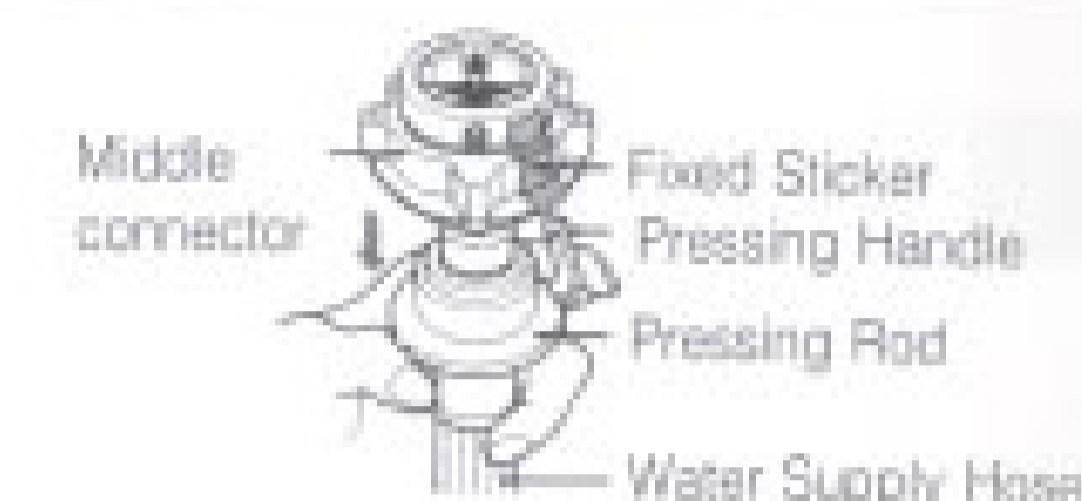
After connecting the hose, open the tap to check for any water leakage. If the water leaks, close the tap and start again from step 1.



### Normal type (Normal tap without thread & one touch type inlet hose.)

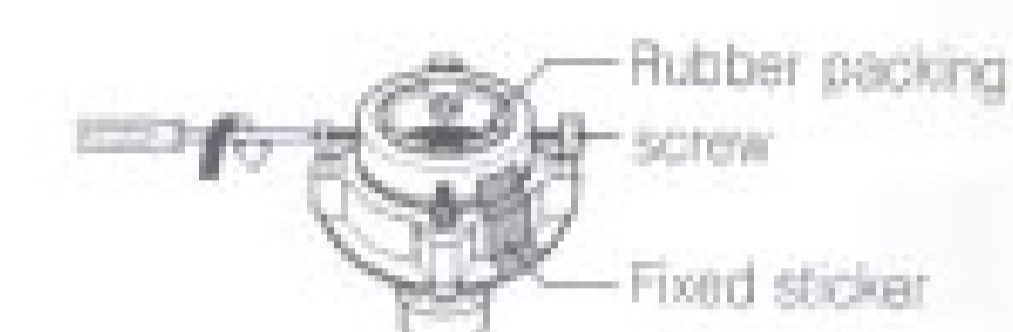
#### 1 Separate Middle connector from Water Supply Hose

Separate Middle connector from the Water Supply Hose by pulling the Pressing Rod and the Pressing Handle that is attached to the Water Supply Hose.



#### 2 Loosen the fixed nuts to connect the connector to the tap

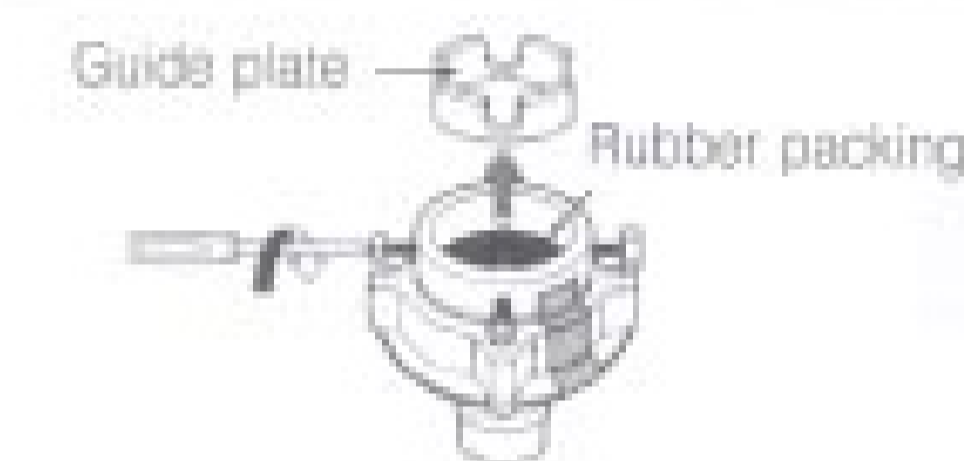
Untighten the screw of the connector so that the tap can be placed in the middle.



### Note

In case tap is too large.

If the tap diameter is too large or is square, untighten the 4 screws and remove the guide plate. Then follow step 1.



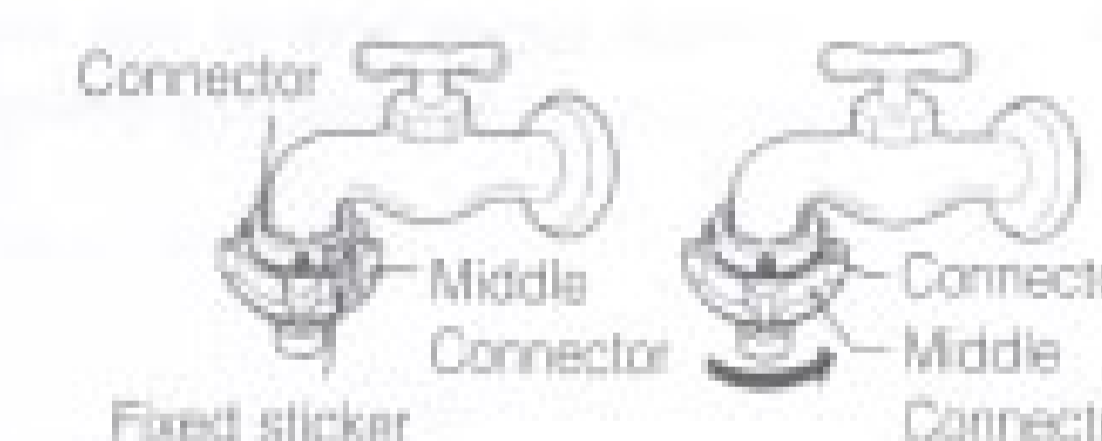
#### 3 Fixing connectors to the Tap

Push the upper connector up till the rubber packing is in tight contact with the tap. Then tighten the 4 screws.



#### 4 Fixing Upper Connector and Middle Connector

Remove the fixed sticker in between the Upper and Middle Connectors. Tighten the connectors by holding one connector and twist middle connector to the right.



#### 5 Connecting Middle Connector and Water Supply Hose

Press down the pressing rod of the Water Supply Hose which was separated from middle connector (refer to Step 1) and then join it to the middle connector.



#### 6 Check for water leakage

After connecting the hose, open the tap to check for any water leakage. If the connection leaks, close the tap and start again from step 1. If you skip step 1, water leakage may occur.

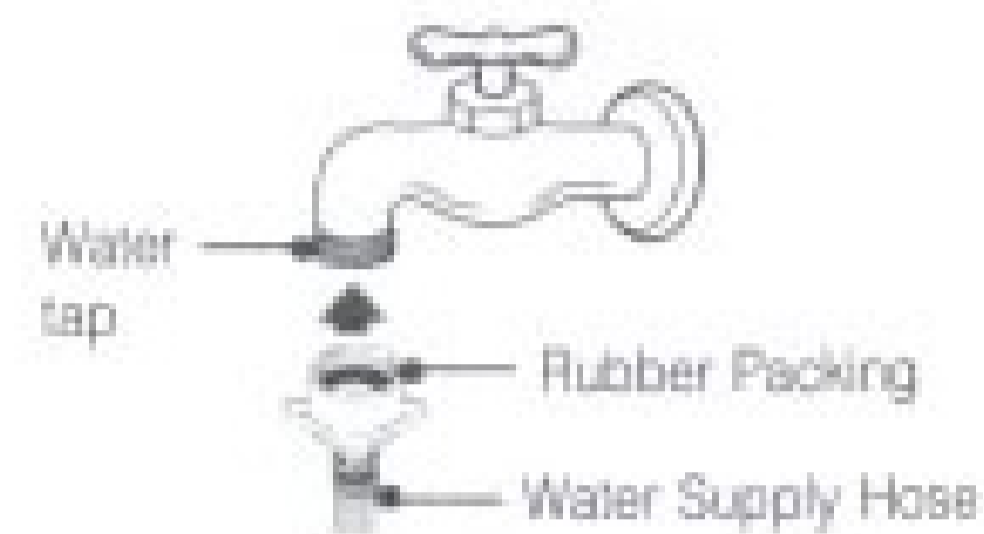


## Connecting Water Supply Hose

### Screw Type

#### 1 Attach the water supply hose to the tap.

Push the water supply hose up so that the rubber packing within the hose can adhere completely to the tap.



#### 2 Connect the water supply hose to the tap.

Connect the water supply hose to the tap and then tighten it by screwing it to the right.



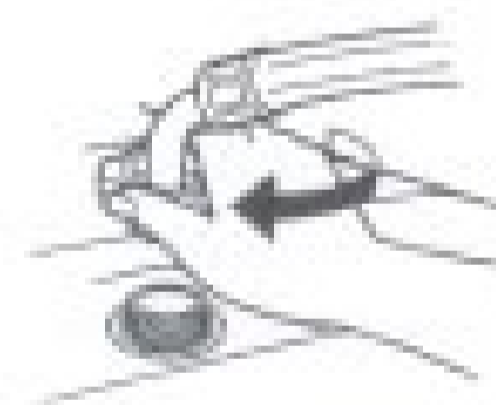
#### 3 Check water leakage.

After connecting the hose, open the tap to check for any water leakage.

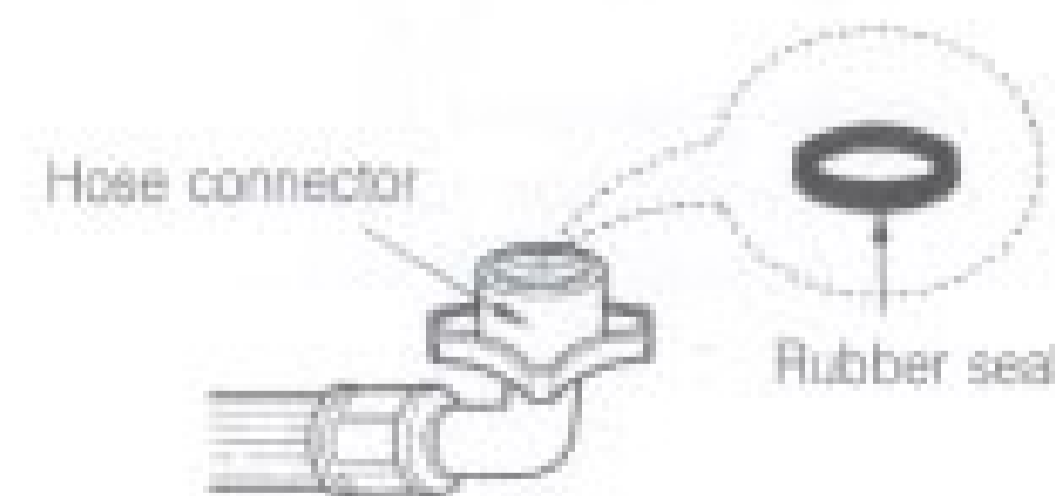


## Connecting Water Supply Hose to the machine

- Connect the water supply hose to inlet valve of the washing machine, and then lock it by turning the hose connecting part.



- Check to see if there is a rubber seal inside the connector.



### Note

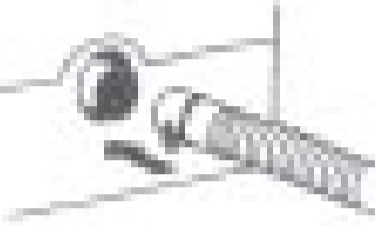
- Washing machine is to be connected to the water mains using new hose-sets and that old hose-sets should not be reused.

## Connecting Drain Hose

Before connecting Drain Hose, check your Drain Hose model and choose the correct model.

### Pump Model

- 1 Fit the end of the drain hose to the outlet of the drain pump and tighten the clamp.



- 2 Put the other end of the drain hose over the standpipe or wash tub.



### Note

- To prevent siphoning, the drain hose should not extend more than 50mm from the standpipe.
- The discharge height should be approximately 0.9 - 1.2m from the floor.

### Non-Pump Model

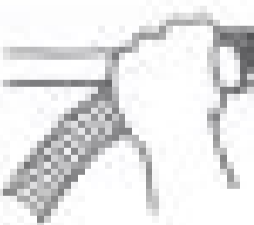
- 1 Before connecting

Ensure that the hose clip is set as indicated here.



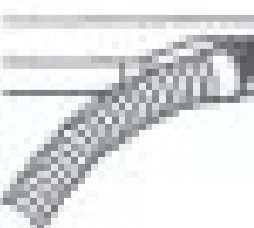
- 2 Connect the Elbow Hose

Push the elbow hose toward the body of the washing machine.



- 3 Place the Drain Hose

To change the direction of the hose, pull out the elbow hose and change the direction. Repeat Step 2.



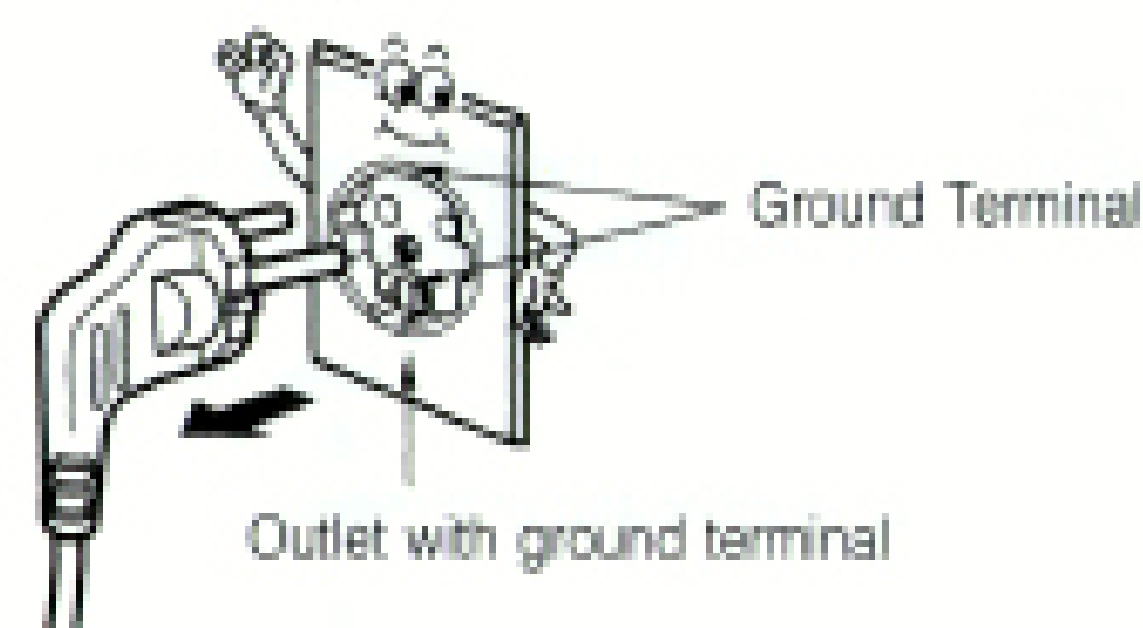
## Grounding Method

Earth wire should be connected.

If the earth wire is not connected, there is possible a danger of electric shock caused by the current leakage.

### Grounding Method with Ground insert space Terminal

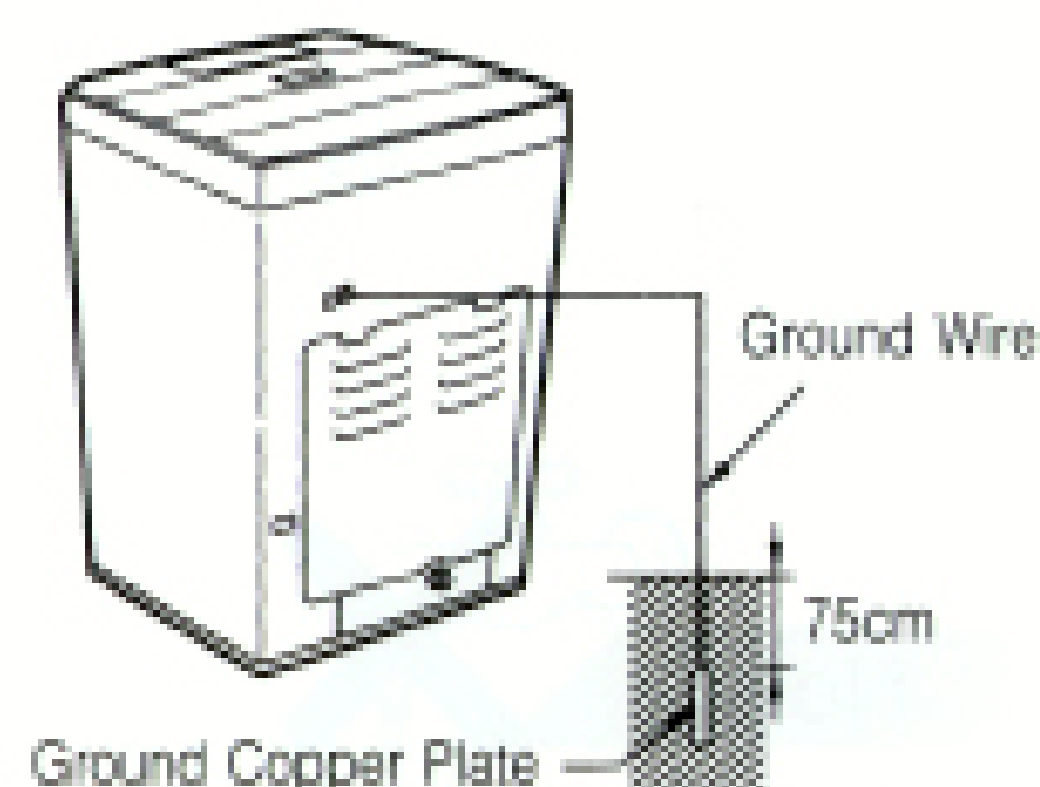
If the AC current outlet has a ground terminal, then separate grounding is not required. Note that AC power outlet configurations may differ from country to country



### Other Grounding Method

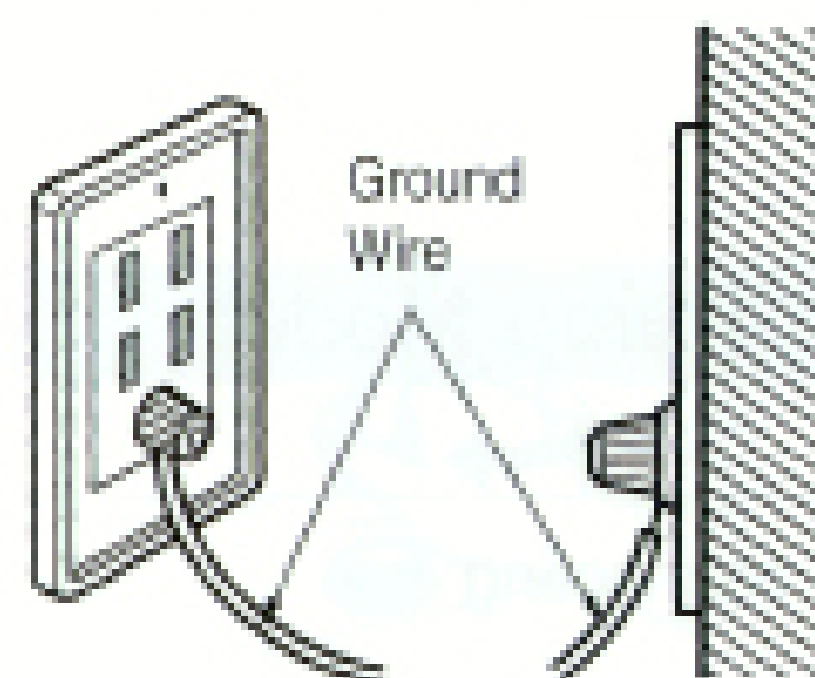
#### Burying Copper Plate

Connect the Ground Wire to a Ground Copper Plate and bury it more than 75cm in the ground.



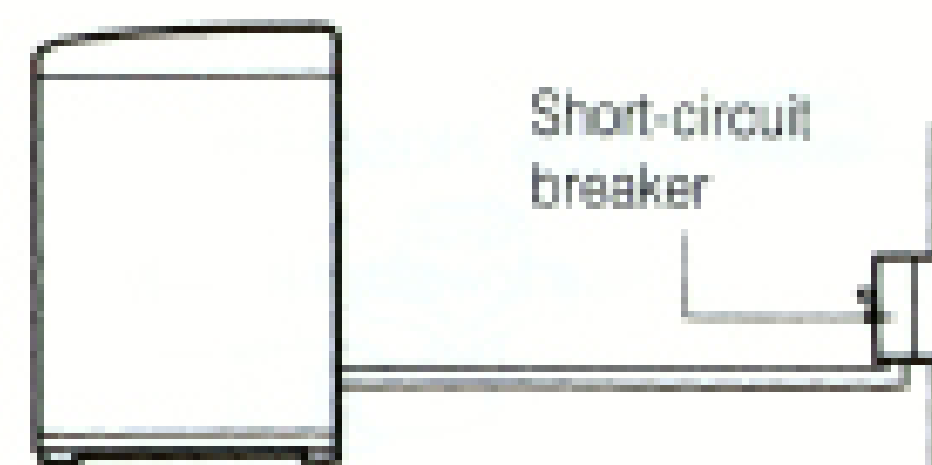
#### Using Ground Wire

Connect the ground Wire to the socket provided exclusively for Grounding.



#### Using a Short Circuit Breaker

If grounding methods described above are not possible, a separate circuit breaker should be employed and installed by a qualified electrician.



### Caution

- To prevent a possible explosion, do not connect ground to a gas pipe.
- Do not connect ground to telephone wires or lightning rods. This may be dangerous during electrical storms.
- Connecting ground to plastic has no effect.
- Ground wires should be connected when an extension cord is used.

## Cleaning and maintenance

### Cold water washing

- If you always use cold water, we recommend that a warm or hot wash be used at a regular intervals e. g. every 5th wash should be at least a warm one.

### When you have finished

- Turn off taps to prevent the chance of flooding should a hose burst.
- Always unplug the power cord after use.

When water supply into the tub is not clean or the filter is clogged with particles (such as sand), clean the filter in the inlet valve occasionally.

(The figure of power cord and water tap may vary according to the country)

### To Clean the Filter in the Inlet Valve

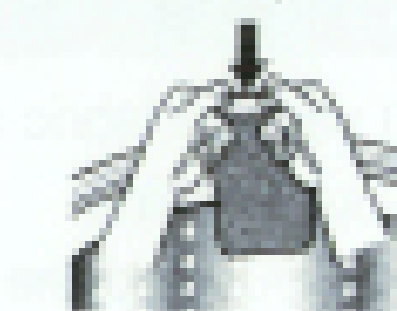
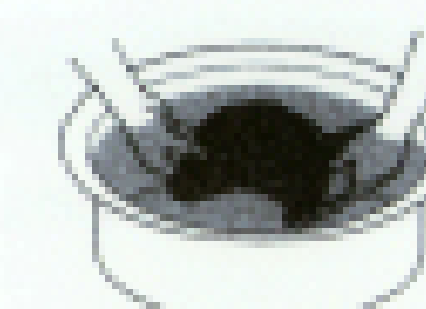
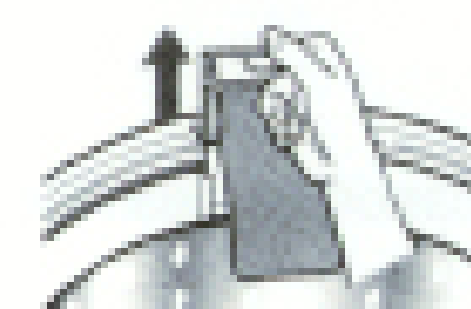
- 1 Close the tap before turning off the power. Select both hot/cold and then press the [START/PAUSE] button to remove water from the machine completely.
- 2 Turn off the power before pulling out the cord.
- 3 After removing the water supply hose pull out the filter. Then use a brush to clean the filter.
- 4 Replace the filter after cleaning it.

### Caution

- Before cleaning the filter, the impurities in the water supply hose should be removed.

### To Clean the Lint Filter

- 1 Pull out the lint filter from the tub in the direction shown below.
- 2 Turn the net inside out to clean the filter and rinse it with water.
- 3 Replace the filter to the original location. Push the lip of the filter until a pop sound is heard.

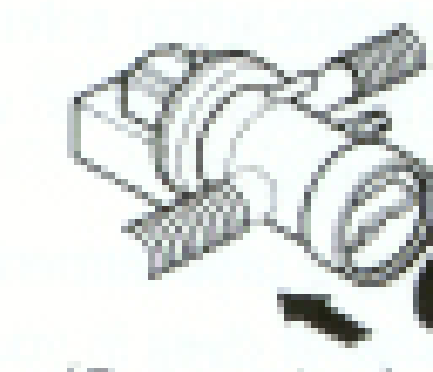
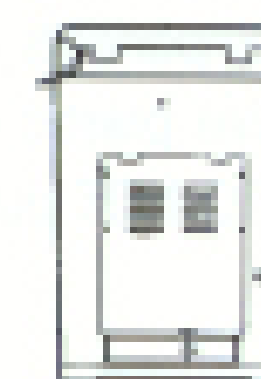


### Note

- If the lint filter is torn or damaged, purchase a new one from LG service center.

### To Clean the Pump casing (for pump model)

- 1 Unfasten 2 screws of the back cover.
- 2 Turn the cap as shown in diagram and unfasten it. Remove foreign objects such as pin, button, coin, etc.
- 3 Reassemble the cap to the arrow direction and fasten it.



### Caution

- Check if water leaks after reassembling. (The Rubber ring is in the cap)

# Cleaning and Maintenance

## When there is a fear of freezing

- Close the water taps and remove the Water Supply Hose.
- Remove the water which remains in the water supply.
- Lower the drain hose and drain the water in the bowl and the drain hose by spinning.

## If frozen

- Remove the water supply hose, and immerse it in hot water at approx. 40°C.
- Pour approx. 2 liters of hot water at approx. 40°C, into the bowl and let it stand for 10 minutes.
- Connect the water supply hose to the water tap and confirm that the washing machine performs the supply and drainage of water.

**Wash Inner-tub** Leave the lid open after washing to allow moisture to evaporate. If you want to clean the inner-tub use a clean soft cloth dampened with liquid detergent, then rinse. (Do not use harsh or gritty cleaners.)

**Inlet Hoses** Hoses connecting washer to faucet should be replaced every 5 years.

**Exterior** Immediately wipe off any spills. Wipe with damp cloth. Try not to hit surface with sharp objects.

**Long Vacations** Be sure water supply is shut off at faucets. Drain all water from hoses if weather will be below freezing.

## Scrud

Scrud is the name given to the waxy build-up that can occur within any washer when the fabric softener comes into contact with detergent. This build-up is not brought about by a fault in the machine. If scrud is allowed to build-up in the machine it can result in stains on your clothes or an unpleasant smell in your washer. If you wish to use fabric softener we recommend:

If you wish to use fabric softener we recommend:

- Clean your machine regularly.
- Cold water washing increases the chance of this build-up occurring. We recommend a warm or hot wash at regular intervals e.g. approx. every 5th wash.
- Fabric softener of thinner consistency is less likely to leave residue on the dispenser and contribute to a build-up.

## Cleaning the inside of your washing machine

- If you use fabric softener or do regular cold water washing, it is important that you occasionally clean the inside of your machine.
- Fill your machine with hot water. Add about two cups of a powder detergent that contains phosphate.
- Select Wash cycle and operate. Repeat it 2 or 3 times.
- Stop the machine, open the lid, and leave it to soak overnight.
- After soaking, drain the machine and run the machine through a regular cycle.
- We do not recommend that you wash clothes during this procedure.

## Products that might damage your washing machine

- Concentrated bleaches and diaper sanitizer will cause damage to the paintwork and components of your washer.
- Hydrocarbon solvents i.e. petrol, paint thinners and lacquer thinners, etc. can dissolve plastic and blister paint (Be careful when washing garments stained with these solvents as they are flammable DO NOT put them in washer or dryer.)
- Some pretreatment sprays or liquids can damage your washer's control panel.
- Use of dyes in your washer may cause staining of the plastic components. The dye will not damage the machine but we suggest you thoroughly clean your washer afterwards. We do not recommend the use of dye strippers in your washer.
- Do not use your washer lid as a work surface.

# Troubleshooting

Look for your problem below, then check the things we suggest. More often than not, this will give you the answer to your problem. And you'll be able to carry on without having to telephone your service center.








## WASH PROBLEM

Symptom	Error Message	Check up
Lint or residue on clothes	Incorrect sorting	● Separate lint producers from lint collectors.
	Washing too long	● Wash small loads for a shorter time than larger loads.
	Natural By-product When Washing Certain Items	● Some lint is normal. Using the dryer should remove any lint not removed by the washer.
Detergent on clothes	Detergent not dissolving	Use warmer water temperature. Try pre-dissolving the detergent in warm water Try a liquid detergent.
	Black spots on clothes	Incorrect use of fabric softener <ul style="list-style-type: none"> <li>● When filling dispenser, do not splash or overfill.</li> <li>● Never pour fabric softener directly on clothes.</li> <li>● Pre-treat stain and rewash.</li> </ul>
Fabric damage (Snags, holes, tears, rips or excessive wear)	Dye transfer	● Sort whites or lightly colored items from dark colors. - Wash and dry non-colorfast clothes separately
	Not enough detergent used	● Insufficient detergent, for the amount of soil on the clothes, can result in black marks on clothes.
	A build-up caused by the interaction of fabric softener and detergent can flake off and marks on clothes.	● Cleaning the inside of your washing machine (refer to p25, p26)
Fabric damage (Snags, holes, tears, rips or excessive wear)	Pins, snaps, hooks, sharp buttons, belt buckles, zippers, and sharp objects left in pockets	● Fasten snaps, hooks, buttons, and zippers. ● Remove any loose brassiere wires. ● Remove objects in pockets and sharp buttons. ● Turn knits (which snag easily) inside out.
	Chemical Damage a. Chlorine Bleach b. Battery Acid c. Hydrogen Peroxide	● Dilute bleach or use the dispenser. (See User's Guide) ● Use caution around battery acids, skin and hair care products-these can remove color and cause holes or tears in fabrics.

# Troubleshooting

Symptom	Error Message	Check up
	Non-chemical Damage a. Age & Normal Use b. Poor Construction c. Overloading d. Mice & Inserts e. Sunlight	<ul style="list-style-type: none"> <li>• Check construction carefully when purchasing.</li> <li>• Mend any damage before laundering.</li> </ul>
The laundry comes out dirty	Water temperature is too cold Water temperature is not correct	<ul style="list-style-type: none"> <li>• Use warmer water temperature</li> <li>• Select the wash temperature according to soil type. For example, blood and mud are better washed in cold water, while oily soils wash better in warmer water.</li> </ul>
	Stain is not pretreated	<ul style="list-style-type: none"> <li>• Brush a little detergent dissolved in water onto stains like collars and cuffs to help shift dirt.</li> <li>• Wash stains as soon as possible. The longer they are left the harder they are to remove.</li> </ul>
	Washer is overloaded	<ul style="list-style-type: none"> <li>• Did you load too much into the machine?</li> </ul>
	Incorrect sorting	<ul style="list-style-type: none"> <li>• Whits clothes are better washed separately.</li> <li>• Separate light and heavily soiled items, as clothes can pick up soil from dirty wash water.</li> <li>• Loads made up of articles of varying sizes will wash better (e.g. full loads of sheets may not wash that well).</li> </ul>
	Insufficient detergent	<ul style="list-style-type: none"> <li>• Not enough detergent for load size or amount of soil. Hard water requires more detergent than soft water.</li> </ul>
Pilling	Result of normal wear on polycotton blends and fuzzy fabrics	<ul style="list-style-type: none"> <li>• While this is not caused by the washer, you can slow the pilling process by washing garments inside out.</li> </ul>
Grayed or yellowed clothes	Not enough detergent Water is not hot enough Washer is overloaded Dye transfer	Use more detergent (especially with larger loads). Make sure water heater is delivering water at 120F - 40F. (48°C - 60°C). Select load size to match clothes load. Sort clothes by color. If fabric label states wash separately, unstable dyes may be indicated.

Before calling for service, check the problem against the list below.

Symptom	Error Message	Check up
Water Supply Failure		<ul style="list-style-type: none"> <li>• Is the water tap shut off?</li> <li>• Is the water supply cut off?</li> <li>• Is the tap or water supply hose frozen?</li> <li>• Is the water pressure low or is the filter of the inlet valve clogged with impurities?</li> <li>• Is the Hot hose connected to cold?</li> <li>• Is the Cold hose connected to Hot?</li> </ul>
Drainage Failure		<ul style="list-style-type: none"> <li>• Is the drain hose positioned correctly?</li> <li>• Is the drain hose bent or placed too high?</li> <li>• Is the internal part of the hose or drain pump (only pump model) clogged with impurities?</li> <li>• Check if electric power has gone off.</li> </ul>
Spin Failure		<ul style="list-style-type: none"> <li>• Is the laundry evenly balanced?</li> <li>• Is the washing machine placed on a flat surface?</li> </ul>
Door(Lid) Open		<ul style="list-style-type: none"> <li>• Is the lid closed?</li> </ul>
Internal sensing failure		<ul style="list-style-type: none"> <li>• Please call your nearest LG Electronics service center for help.</li> </ul>
Power failure		
Overflow failure		

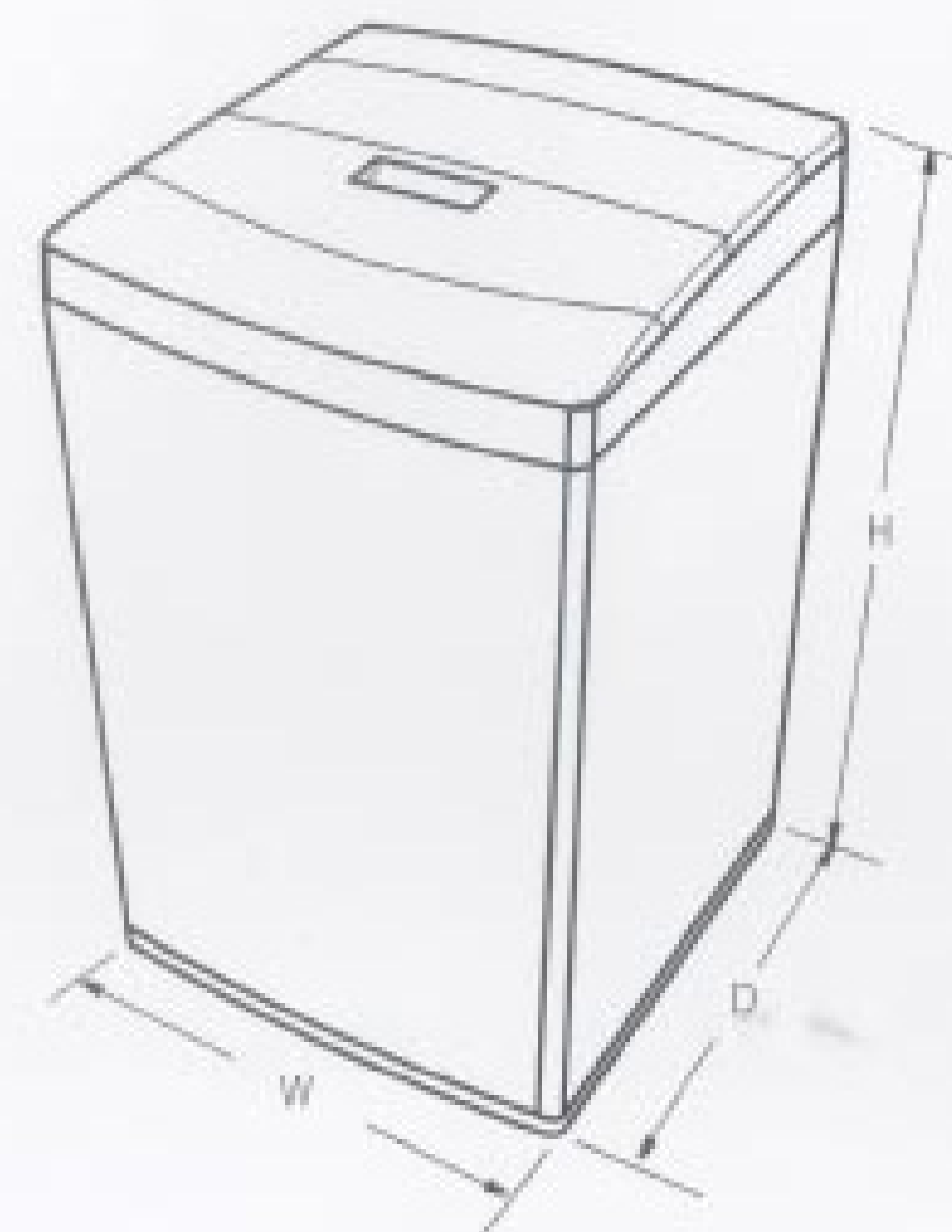
## Terms of Warranty

### What Is Not Covered:

- If the product is connected to any voltage other than that shown on the rating plate.
- If the fault is caused by accident, neglect, misuse or Act of God.
- If the fault is caused by factors other than normal domestic use or use in accordance with the owner's manual.
- Provide instruction on use of product or change the set-up of the product.
- If the fault is caused by pests for example, rats or cockroaches etc.
- Noise or vibration that is considered normal for example water drain sound, spin sound, or warming beeps.
- Correcting the installation for example, levelling the product, adjustment of drain.
- Normal maintenance which recommended by the owner's manual.
- Removal of foreign objects/substances from the machine, including the pump and inlet hose filter for example, grit, nails, bra wires, buttons etc.
- Replace fuses in or correct house wiring or correct house plumbing.
- Correction of unauthorized repairs.
- Incidental or consequential damage to personal property caused by possible defects with this appliance.

If the product is installed outside the normal service area, any cost of transportation involved in the repair of the product, or the replacement of a defective part, shall be borne by the owner.

## Specification



<input type="checkbox"/> ELECTRICITY SOURCE	: On the Rating Label
<input type="checkbox"/> THE USE RANGE OF WATER PRESSURE	: 0.3 – 10kgf/cm <sup>2</sup> (30-1000kPa)
<input type="checkbox"/> WEIGHT	: 33.5Kg
<input type="checkbox"/> SIZE(mm)	: 540(W) × 540(D) × 890(H)
<input type="checkbox"/> STANDARD WATER LEVEL	: EX-LARGE : 55 ✓ LARGE : 48 ✓ MEDIUM : 34 ✓ SMALL : 24 ✓

\* In our continuing effort to improve the quality of our appliances, it may be necessary to make changes to the appliance without revising this manual.