

Applications

- Overcurrent protection for line cards

Features

- Compliant with ITU-T K20, K21, K45
 - basic level lightning surges (10/700 μ s)
 - basic level power induction (600 V, 1 A, 0,2 s)
 - power contact criteria A/B (230 V, 15 min.)
- Suitable for continous connection to mains voltages of 110/230 VAC in tripped (high ohmic) condition
- Narrow resistance tolerance

Options

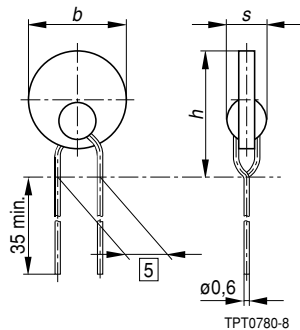
- Alternative tolerances and resistances on request

Delivery mode

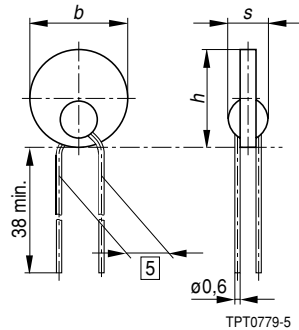
- Cardboard tape, reeled (standard) or in AMMO pack (on request); cardboard strips (on request)
- Exception: B 1610, cardboard strips (standard), cardboard tape or AMMO pack on request

Dimensional drawings

Kinked leads



Straight leads



Dimensions (mm)

| Type | Leads | b_{max} | h_{max} | s_{max} |
|--------|----------|-----------|-----------|-----------|
| B 1610 | kinked | 10,2 | 13,1 | 5,0 |
| B 1042 | kinked | 8,2 | 12,1 | 4,0 |
| B 1042 | straight | 8,2 | 8,2 | 4,0 |
| B 1045 | kinked | 6,6 | 9,5 | 4,0 |
| B 1045 | straight | 6,6 | 6,6 | 4,0 |

1) C 1077 coated type

| Type | Leads | b_{max} | h_{max} | s_{max} |
|----------------------|----------|-----------|-----------|-----------|
| B 1008 | kinked | 8,2 | 12,1 | 4,0 |
| B 1008 | straight | 8,2 | 8,2 | 4,0 |
| B 1603 | kinked | 10,2 | 12,6 | 5,0 |
| B 1184 | kinked | 8,2 | 12,1 | 5,0 |
| B 1184 | straight | 8,2 | 8,2 | 5,0 |
| C 1077 ¹⁾ | kinked | 8,5 | 12,5 | 4,5 |

General technical data

| | | | |
|---|-----------------|--------------|--------------------|
| Rated voltage | V_N | 60 | VDC |
| Resistance tolerance | ΔR_N | $\pm 20\%$ | |
| Operating temperature range ($V = 0$) ($V = 230\text{ V}$) | T_{op} | $-25/+125$ | $^{\circ}\text{C}$ |
| | T_{op} | $0/+60$ | $^{\circ}\text{C}$ |
| Resistance matching per reel | $R_{25, match}$ | $\pm 0,5^1)$ | Ω |

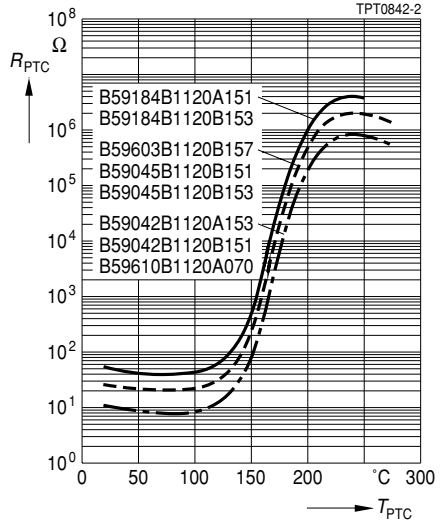
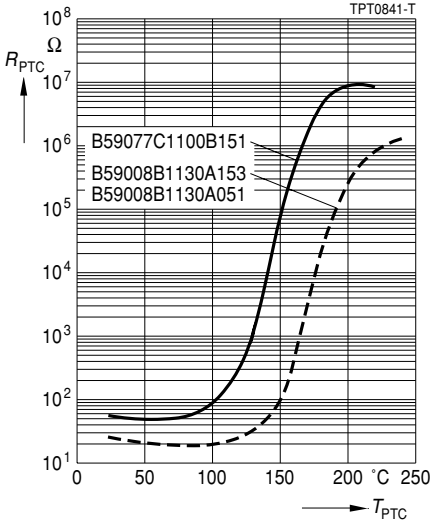
Electrical specifications and ordering codes

| Type | R_N Ω | R_{min} Ω | I_N @ 25 $^{\circ}\text{C}$ mA | I_N @ 70 $^{\circ}\text{C}$ mA | I_S @ 25 $^{\circ}\text{C}$ mA | I_{Smax} @ 230 VAC A | t_S @ I_{Smax} , 230 VAC s | Ordering code |
|--|-------------------|-----------------------|---|---|---|---------------------------------|---|-----------------|
| Kinked leads, maximum switching voltage $V_{Smax} = 265\text{ VAC}$ | | | | | | | | |
| B 1610 ¹⁾ | 10 | 6,0 | 150 | 105 | 300 | 10,0 | < 0,2 | B59610B1120A070 |
| B 1042 | 10 | 6,5 | 150 | 105 | 300 | 1,0 | < 7,0 | B59042B1120B151 |
| B 1045 | 25 | 16 | 100 | 70 | 220 | 3,0 | < 0,2 | B59045B1120B151 |
| B 1008 | 25 | 16 | 120 | 90 | 300 | 3,0 | < 0,4 | B59008B1130A051 |
| B 1603 | 25 | 16 | 100 | 70 | 200 | 1,5 | < 3,0 | B59603B1120B157 |
| B 1184 | 50 | 30 | 90 | 50 | 190 | 2,5 | < 0,2 | B59184B1120A151 |
| Straight leads, maximum switching voltage $V_{Smax} = 265\text{ VAC}$ | | | | | | | | |
| B 1042 | 10 | 6,5 | 150 | 105 | 300 | 1,0 | < 7,0 | B59042B1120A153 |
| B 1045 | 25 | 16 | 100 | 70 | 220 | 3,0 | < 0,2 | B59045B1120B153 |
| B 1008 | 25 | 16 | 120 | 90 | 300 | 3,0 | < 0,4 | B59008B1130A153 |
| B 1184 | 50 | 30 | 90 | 50 | 190 | 2,5 | < 0,2 | B59184B1120B153 |
| Kinked leads, coated type, maximum switching voltage $V_{Smax} = 600\text{ VAC}$ | | | | | | | | |
| C 1077 | 55 | 38 | 55 | 30 | 200 | 3,0 | < 0,2 | B59077C1100B151 |

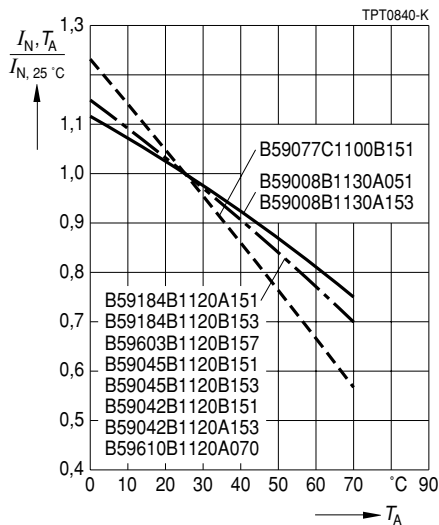
1) B 1610 not matched

Characteristics (typical)

PTC resistance R_{PTC} versus PTC temperature T_{PTC}
(measured at low signal voltage)



Rated current I_N versus ambient temperature T_A
(measured in still air)



Published by EPCOS AG

Corporate Communications, P.O. Box 80 17 09, 81617 Munich, GERMANY

☎ ++49 89 636 09, FAX (089) 636-2 26 89

© EPCOS AG 2002. Reproduction, publication and dissemination of this brochure and the information contained herein without EPCOS' prior express consent is prohibited.

Purchase orders are subject to the General Conditions for the Supply of Products and Services of the Electrical and Electronic Industry recommended by the ZVEI (German Electrical and Electronic Manufacturers' Association).

This brochure replaces the previous edition.

For questions on technology, prices and delivery please contact the Sales Offices of EPCOS AG or its subsidiaries.

Due to technical requirements components may contain dangerous substances. For information on hazardous substances also contact one of our Sales Offices.



中发网 WWW.ZFA.CN

全球最大的PDF中文下载站



中发网
www.zfa.cn

PDF 资料下载尽在中发网