



December 1994

LM760 High Speed Differential Comparator

General Description

The LM760 is a differential voltage comparator offering considerable speed improvement over the LM710 family and operates from symmetric supplies of $\pm 4.5V$ to $\pm 6.5V$. The LM760 can be used in high speed analog-to-digital conversion systems and as a zero crossing detector in disc file and tape amplifiers. The LM760 output features balanced rise and fall times for minimum skew and close matching between the complementary outputs. The outputs are TTL compatible with a minimum sink capability of two gate loads.

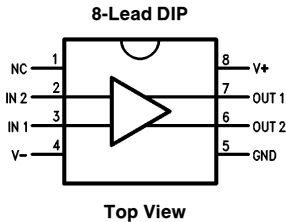
Features

- Guaranteed high speed— 25 ns response time
- Guaranteed delay matching on both outputs
- Complementary TTL compatible outputs
- High sensitivity
- Standard supply voltages

Applications

- High speed A-to-D
- Peak or zero detector

Connection Diagram



TL/H/10067-3

Ordering Information

Temperature Range Commercial 0°C to +70°C	Package Type	NSC Package Drawing
LM760CN	8-lead Plastic DIP	N08E

LM760 High Speed Differential Comparator

Absolute Maximum Ratings

If Military/Aerospace specified devices are required, please contact the National Semiconductor Sales Office/Distributors for availability and specifications.

Storage Temperature Range		
Metal Can and Ceramic DIP	-65°C to +175°C	
Molded DIP	-65°C to +150°C	
Operating Temperature Range		
Military (LM760)	-55°C to +125°C	
Commercial (LM760C)	0°C to +70°C	
Lead Temperature		
Metal Can and Ceramic DIP (Soldering, 60 sec.)	300°C	
Molded DIP (Soldering, 10 sec.)	265°C	

Positive Supply Voltage	+8.0V
Negative Supply Voltage	-8.0V
Peak Output Current	10 mA
Differential Input Voltage	±5.0V
Input Voltage	$V^+ \geq V_I \geq V^-$
ESD Susceptibility	TBD

LM760

Electrical Characteristics

$V_{CC} = \pm 4.5V$ to $\pm 6.5V$, $T_A = -55^\circ C$ to $+125^\circ C$, $T_A = 25^\circ C$ for typical figures, unless otherwise specified

Symbol	Parameter	Conditions	Min	Typ	Max	Units
V_{IO}	Input Offset Voltage	$R_S \leq 200\Omega$		1.0	6.0	mV
I_{IO}	Input Offset Current			0.5	7.5	μA
I_{IB}	Input Bias Current			8.0	60	μA
R_O	Output Resistance (Either Output)	$V_O = V_{OH}$		100		Ω
t_{PD}	Response Time	$T_A = 25^\circ C$ (Note 3)		18	30	ns
		$T_A = 25^\circ C$ (Note 4)			25	
		(Note 5)		16		
Δt_{PD}	Response Time Difference between Outputs (Note 1) (t_{PD} of $+V_{I1}$) - (t_{PD} of $-V_{I2}$)	$T_A = 25^\circ C$			5.0	ns
		$T_A = 25^\circ C$			5.0	
		$T_A = 25^\circ C$			7.5	
		$T_A = 25^\circ C$			7.5	
R_I	Input Resistance	$f = 1.0$ MHz		12		k Ω
C_I	Input Capacitance	$f = 1.0$ MHz		8.0		pF
$\Delta V_{IO}/\Delta T$	Average Temperature Coefficient of Input Offset Voltage	$R_S = 50\Omega$, $T_A = -55^\circ C$ to $+125^\circ C$		3.0		$\mu V/^\circ C$
$\Delta I_{IO}/\Delta T$	Average Temperature Coefficient of Input Offset Current	$T_A = +25^\circ C$ to $+125^\circ C$		2.0		nA/ $^\circ C$
		$T_A = +25^\circ C$ to $-55^\circ C$		7.0		
V_{IR}	Input Voltage Range	$V_{CC} = \pm 6.5V$	±4.0	±4.5		V
V_{IDR}	Differential Input Voltage Range			±5.0		V
V_{OH}	Output Voltage HIGH (Either Output)	$0\text{ mA} \leq I_{OH} \leq 5.0\text{ mA}$ $V_{CC} = +5.0V$	2.4	3.2		V
		$I_{OH} = 80\ \mu A$, $V_{CC} = \pm 4.5V$	2.4	3.0		
V_{OL}	Output Voltage LOW (Either Output)	$I_{OL} = 3.2\text{ mA}$		0.25	0.4	V
I^+	Positive Supply Current	$V_{CC} = \pm 6.5V$		18	32	mA
I^-	Negative Supply Current	$V_{CC} = \pm 6.5V$		9.0	16	mA

LM760C

Electrical Characteristics

$V_{CC} = \pm 4.5V$ to $\pm 6.5V$, $T_A = 0^\circ C$ to $+70^\circ C$, $T_A = 25^\circ C$ for typical figures, unless otherwise specified

Symbol	Parameter	Conditions	Min	Typ	Max	Units
V_{IO}	Input Offset Voltage	$R_S \leq 200\Omega$		1.0	6.0	mV
I_{IO}	Input Offset Current			0.5	7.5	μA
I_B	Input Bias Current			8.0	60	μA
R_O	Output Resistance (Either Output)	$V_O = V_{OH}$		100		Ω
t_{PD}	Response Time	$T_A = 25^\circ C$ (Note 3)		18	30	ns
		$T_A = 25^\circ C$ (Note 4)			25	
		(Note 5)		16		
Δt_{PD}	Response Time Difference between Outputs (Note 1) (t_{PD} of $+V_{I1}$) - (t_{PD} of $-V_{I2}$)	$T_A = 25^\circ C$			5.0	ns
		$T_A = 25^\circ C$			5.0	
		$T_A = 25^\circ C$			10	
		$T_A = 25^\circ C$			10	
R_I	Input Resistance	$f = 1.0$ MHz		12		k Ω
C_I	Input Capacitance	$f = 1.0$ MHz		8.0		pF
$\Delta V_{IO}/\Delta T$	Average Temperature Coefficient of Input Offset Voltage	$R_S = 50\Omega$, $T_A = 0^\circ C$ to $+70^\circ C$		3.0		$\mu V/^\circ C$
$\Delta I_{IO}/\Delta T$	Average Temperature Coefficient of Input Offset Current	$T_A = +25^\circ C$ to $+70^\circ C$		5.0		nA/ $^\circ C$
		$T_A = +25^\circ C$ to $0^\circ C$		10		
V_{IR}	Input Voltage Range	$V_{CC} = \pm 6.5V$	± 4.0	± 4.5		V
V_{IDR}	Differential Input Voltage Range			± 5.0		V
V_{OH}	Output Voltage HIGH (Either Output)	0 mA $\leq I_{OH} \leq 5.0$ mA $V_{CC} = +5.0V$	2.4	3.2		V
		$I_{OH} = 80$ μA , $V_{CC} = \pm 4.5V$	2.5	3.0		
V_{OL}	Output Voltage LOW (Either Output)	$I_{OL} = 3.2$ mA		0.25	0.4	V
I^+	Positive Supply Current	$V_{CC} = \pm 6.5V$		18	34	mA
I^-	Negative Supply Current	$V_{CC} = \pm 6.5V$		9.0	16	mA

Note 1: $T_{J Max} = 150^\circ C$.

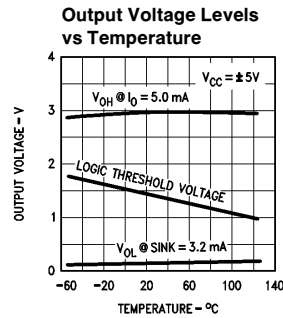
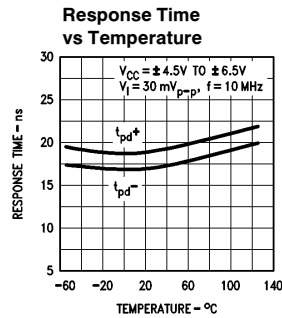
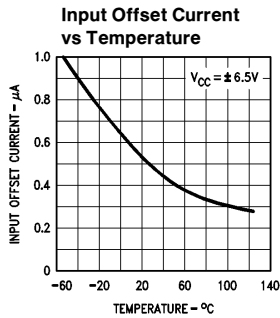
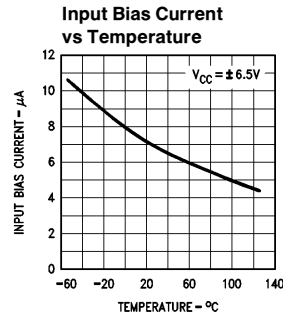
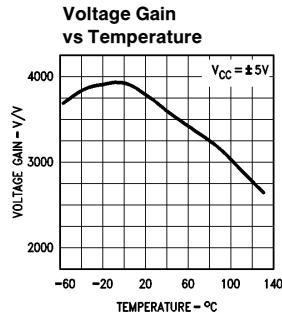
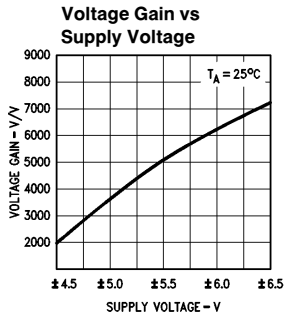
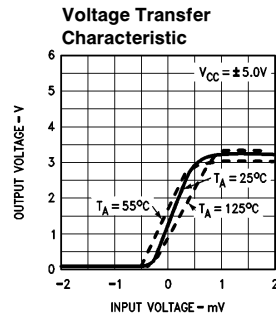
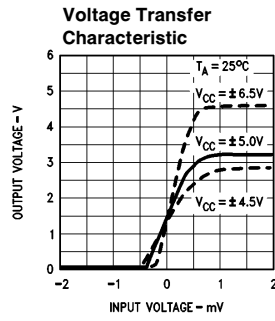
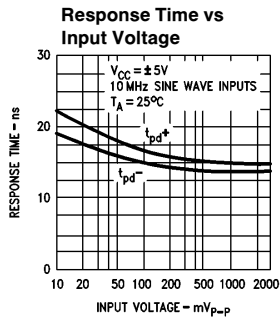
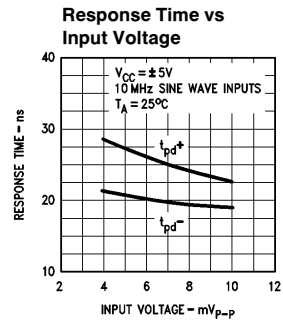
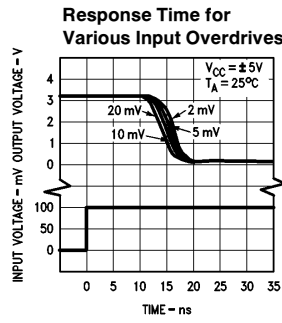
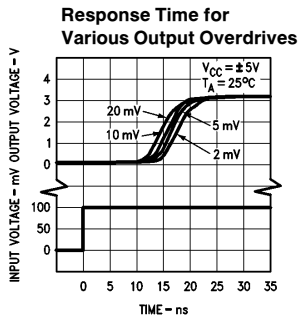
Note 2: Ratings apply to ambient temperature at $25^\circ C$.

Note 3: Response time measured from the 50% point of a 30 mV_{p-p} 10 MHz sinusoidal input to the 50% point of the output.

Note 4: Response time measured from the 50% point of a 2.0 V_{p-p} 10 MHz sinusoidal input to the 50% point of the output.

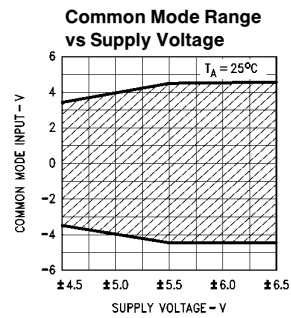
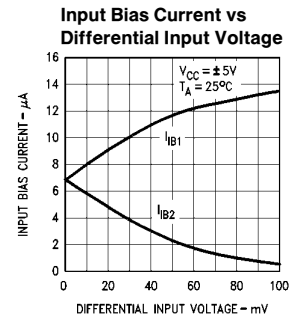
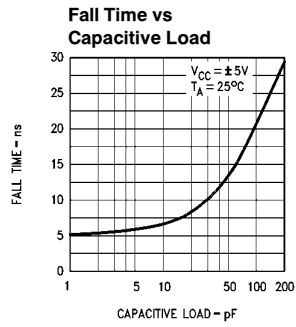
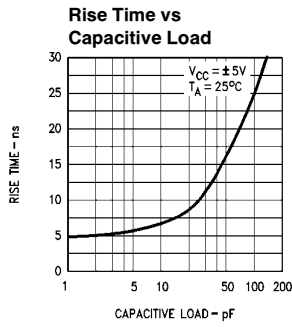
Note 5: Response time measured from the start of a 100 mV input step with 5.0 mV overdrive to the time when the output crosses the logic threshold.

Typical Performance Characteristics



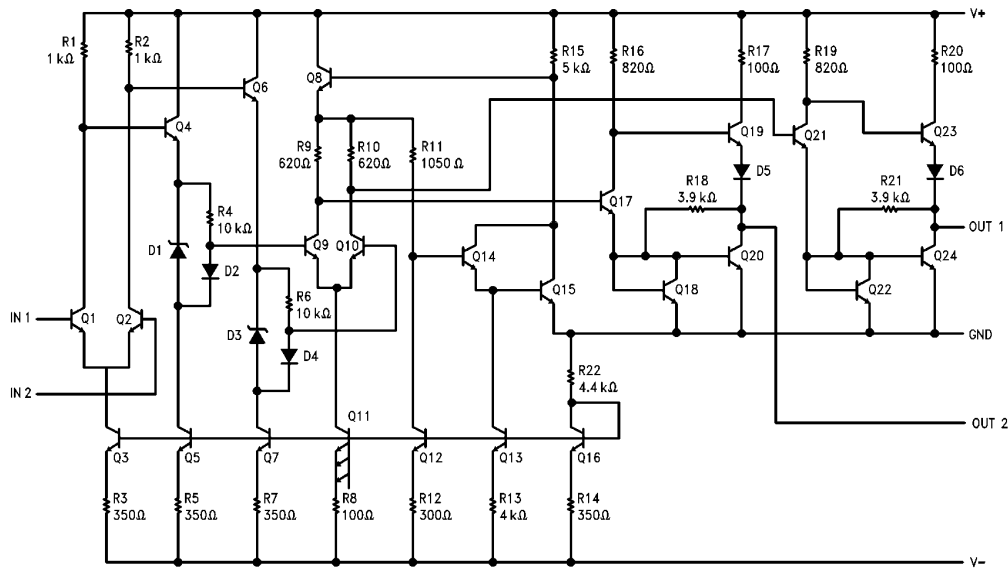
TL/H/10067-5

Typical Performance Characteristics (Continued)



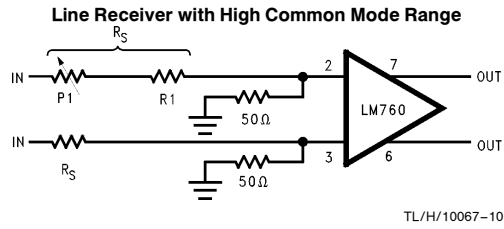
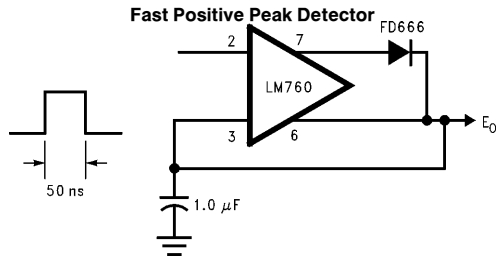
TL/H/10067-6

Equivalent Circuit



TL/H/10067-4

Typical Applications (Note 1)



$$\text{Common mode range} = \pm 4 \times \frac{R_S}{50} \text{ V}$$

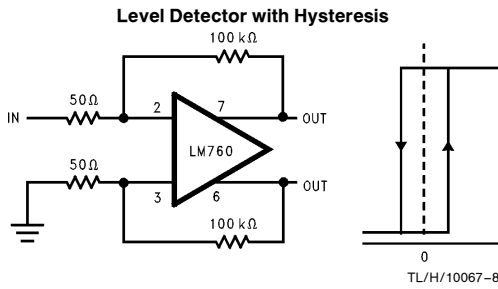
$$\text{Differential Input Sensitivity} = 5 \times \frac{R_S}{50} \text{ mV}$$

P_1 must be adjusted for optimum common mode rejection.

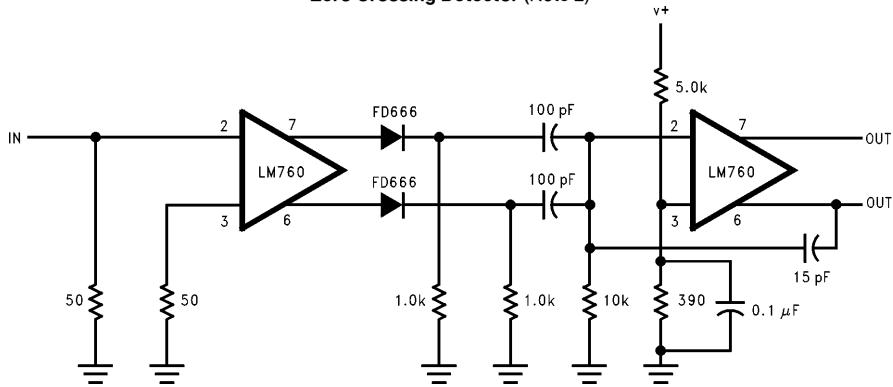
For $R_S = 200\Omega$:

$$\text{Common mode range} = \pm 16\text{V}$$

$$\text{Sensitivity} = 20 \text{ mV}$$



Zero Crossing Detector (Note 2)



Total delay = 30 ns
 Input Frequency = 300 Hz to 3.0 MHz
 Minimum input voltage = 20 mV_{p-p}

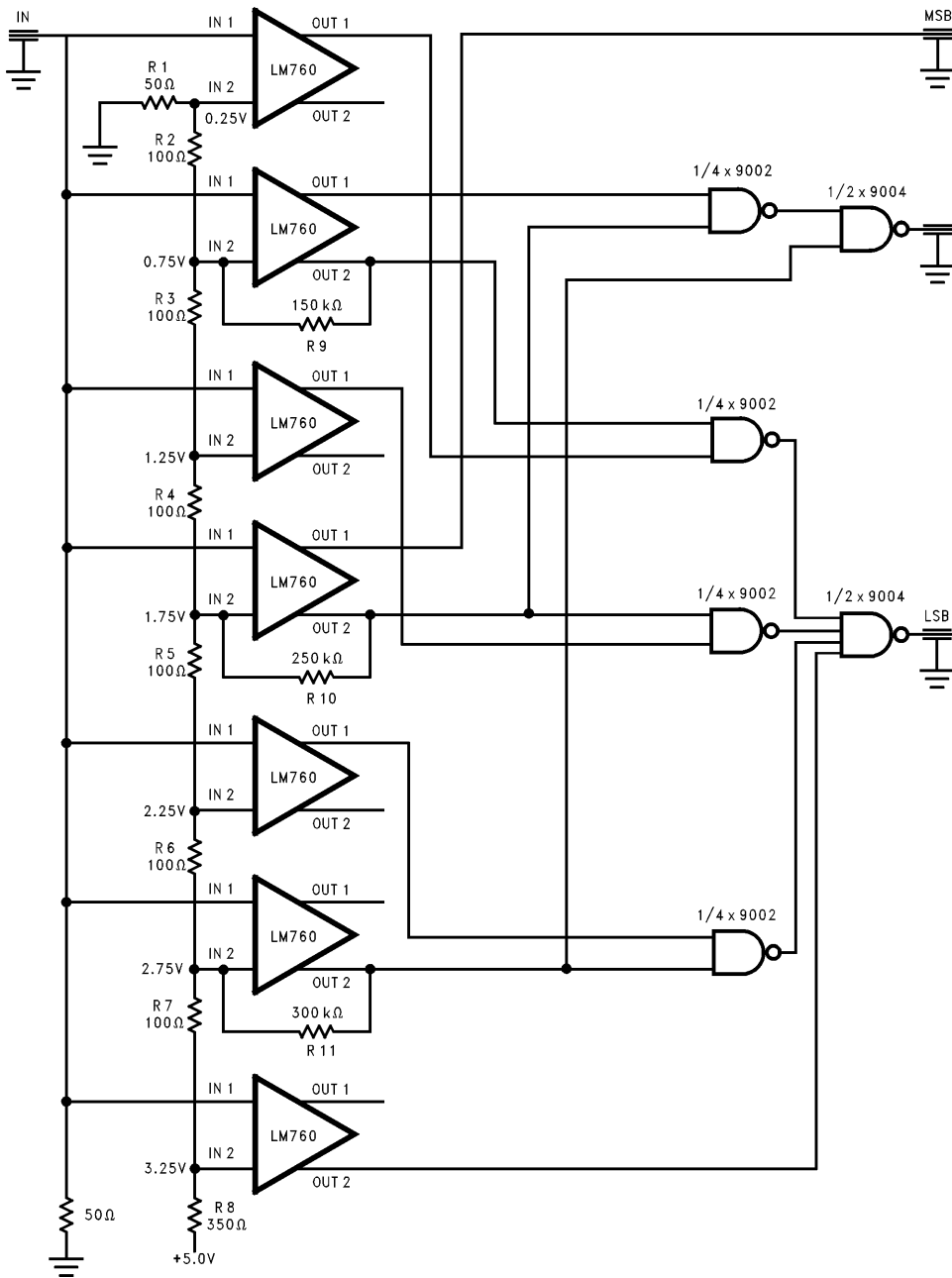
TL/H/10067-9

Note 1: Lead numbers shown are for Metal Package only.

Note 2: All resistor values in ohms.

Typical Applications (Note 1) (Continued)

High Speed 3-Bit A/D Converter

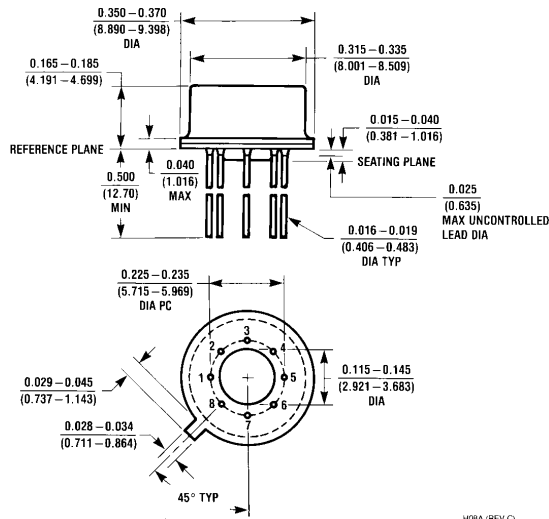


Input voltage range = 3.5V
 Typical conversion speed = 30 ns

TL/H/10067-11

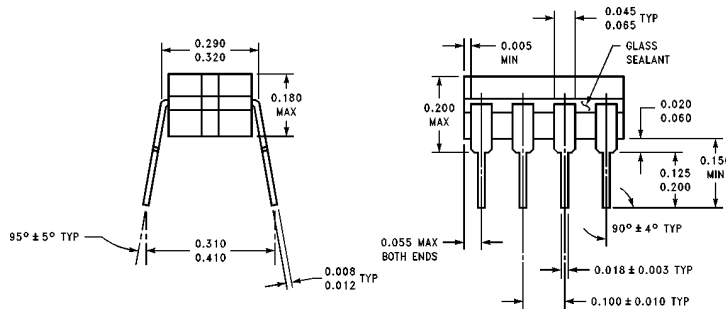
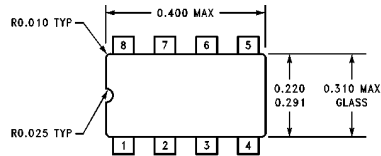


Physical Dimensions inches (millimeters)



H08A (REV C)

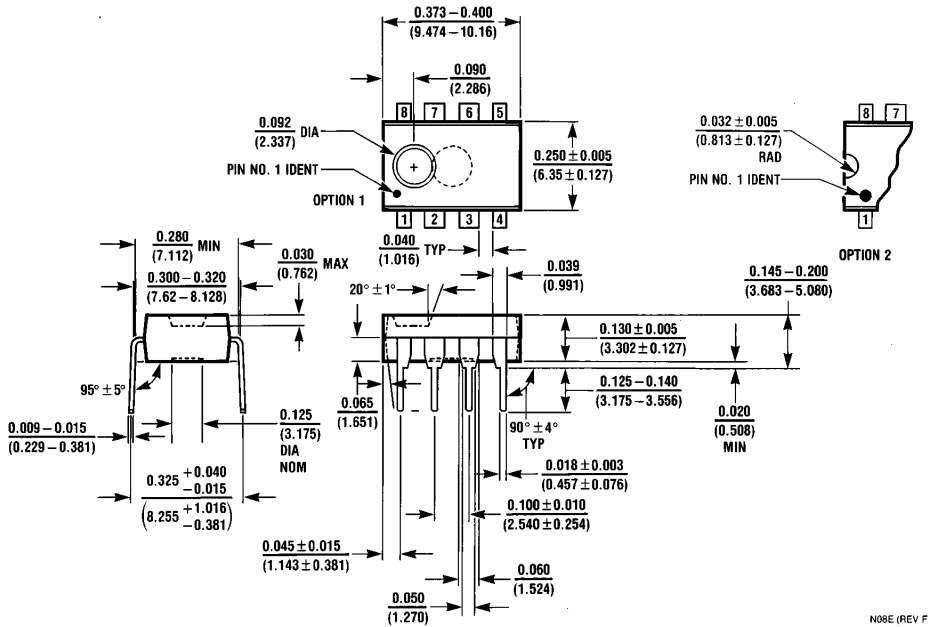
8-Lead Metal Can Package (H)
Order Number LM760CH or LM760H
NS Package Number H08A



J08A (REV K)

8-Lead Ceramic Dual-In-Line Package (J)
Order Number LM760CJ or LM760J
NS Package Number J08A

Physical Dimensions inches (millimeters) (Continued)



8-Pin Molded Dual-In-Line Package (N)
Order Number LM760CN
NS Package Number N08E

N08E (REV F)

LIFE SUPPORT POLICY

NATIONAL'S PRODUCTS ARE NOT AUTHORIZED FOR USE AS CRITICAL COMPONENTS IN LIFE SUPPORT DEVICES OR SYSTEMS WITHOUT THE EXPRESS WRITTEN APPROVAL OF THE PRESIDENT OF NATIONAL SEMICONDUCTOR CORPORATION. As used herein:

1. Life support devices or systems are devices or systems which, (a) are intended for surgical implant into the body, or (b) support or sustain life, and whose failure to perform, when properly used in accordance with instructions for use provided in the labeling, can be reasonably expected to result in a significant injury to the user.
2. A critical component is any component of a life support device or system whose failure to perform can be reasonably expected to cause the failure of the life support device or system, or to affect its safety or effectiveness.



National Semiconductor Corporation
 1111 West Bardin Road
 Arlington, TX 76017
 Tel: 1(800) 272-9959
 Fax: 1(800) 737-7018

National Semiconductor Europe
 Fax: (+49) 0-180-530 85 86
 Email: cnjwge@tevm2.nsc.com
 Deutsch Tel: (+49) 0-180-530 85 85
 English Tel: (+49) 0-180-532 78 32
 Français Tel: (+49) 0-180-532 93 58
 Italiano Tel: (+49) 0-180-534 16 80

National Semiconductor Hong Kong Ltd.
 19th Floor, Straight Block,
 Ocean Centre, 5 Canton Rd.
 Tsimshatsui, Kowloon
 Hong Kong
 Tel: (852) 2737-1600
 Fax: (852) 2736-9960

National Semiconductor Japan Ltd.
 Tel: 81-043-299-2309
 Fax: 81-043-299-2408

National does not assume any responsibility for use of any circuitry described, no circuit patent licenses are implied and National reserves the right at any time without notice to change said circuitry and specifications.