

Portable DVD player

User manual

PET830



PHILIPS



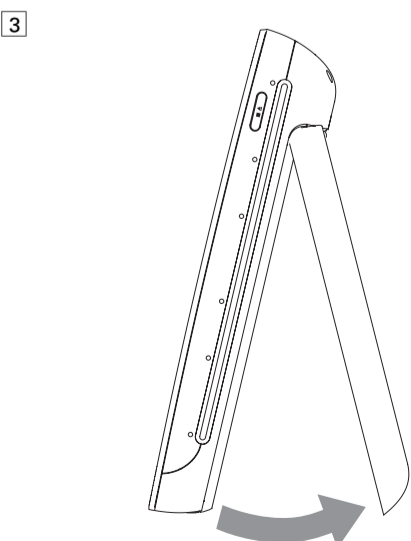
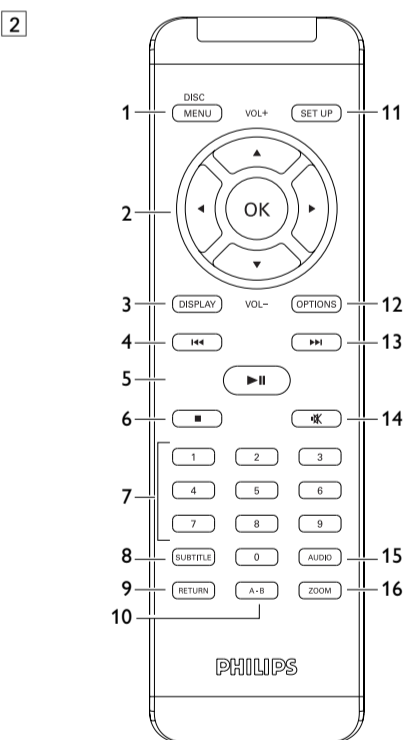
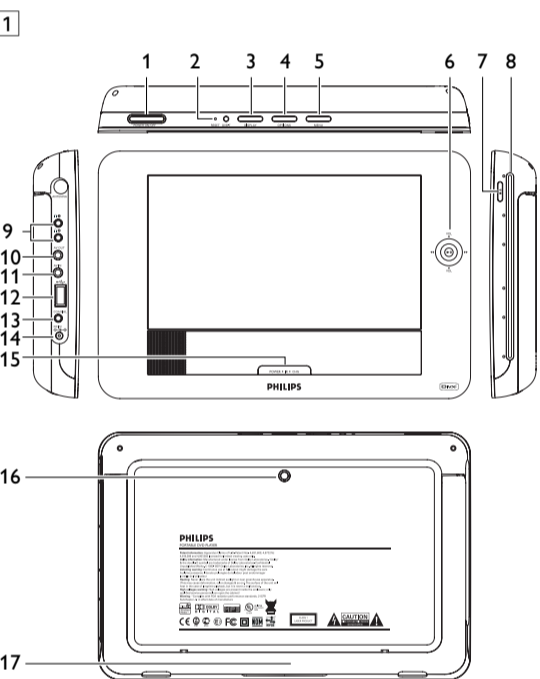
Be responsible. Respect copyrights.

Specifications are subject to change without notice. Trademarks are the property of Koninklijke Philips Electronics N.V. or their respective owners. © 2006 Koninklijke Philips Electronics N.V. All rights reserved.



Printed in China

wk7234



English

Content

Table listing sections: 1 Control elements and functional components, 2 Introduction, 3 General information, 4 Charging the units, 5 Start up, 6 Addition Functions, 7 Troubleshooting, 8 Technical data.

1 Control elements and functional components

- 1.1 Top of the player (see figure 1)
1 POWER ON/OFF
2 RESET
3 DISPLAY
4 OPTIONS
5 MENU

- 1.2 Left side of the player (see figure 1)
9 Headphone jack
10 AV OUT
11 AV IN
12 USB
13 Coaxial
14 DC IN

- 1.3 Front side of the player (see figure 1)
6 II
7 +/-

- 1.4 Right side of the player (see figure 1)
7 II
8 Disc slot

- 1.5 Right side of the player (see figure 1)
16 Car mounting screw hole

- 1.6 Remote Control (see figure 2)
1 MENU
2 +/-
3 OK
4 VOL +/-
5 DISPLAY
6 II
7 0-9
8 SUBTITLE
9 RETURN
10 A-B
11 SETUP
12 OPTION
13 II
14 Mute
15 AUDIO
16 ZOOM

- 1.7 Desk stand of the player (see figure 3)
You can prop up the DVD player on your table for movie watching.

2 Introduction

2.1 Your portable DVD player
Your portable DVD player plays digital video discs conforming to the universal DVD Video standard.

2.2 Unpacking
First check and identify the contents of your package, as listed below:

2.3 Placement
Place the player on a firm, flat surface. Keep away from domestic heating equipment and direct sunlight.

2.4 Playable disc formats
2.4.1 DVD-Video
Depending on the material on the disc (a movie, video clips, a drama series, etc.) these discs may have one or more Titles, and each Title may have one or more Chapters.

2.4.2 Video CD
Depending on the material on the disc (a movie, video clips, a drama series, etc.) these discs may have one or more Tracks, and tracks may have one or more indexes, as indicated on the disc case.

2.4.3 Audio CD / MP3 CD / WMA CD
Audio CDs / MP3 CD / WMA CD contain music tracks only. You can play them in the conventional way through a stereo system using the keys on the remote control and/or main unit, or via the TV using the On Screen Display (OSD).

2.4.4 CD with JPEG files
You can also view JPEG still photos on this player.

2.4.5 DivX video discs
DivX is a popular media technology created by DivX, Inc. DivX media files contain highly compressed video with high visual quality that maintains a relatively small file size.

2.4.6 Zero Bright Dot™
Enjoy highest-quality images that are free from annoying blank spots on the LCD screen. LCD displays commonly have imperfections, termed as 'bright dots' by the LCD industry.

3 General information

Power Sources
This unit operates on a supplied AC adaptor, car adaptor, or a rechargeable battery pack.

- Make sure that the input voltage of the AC adaptor is in line with the local voltage.
Do not touch the AC adaptor with wet hands to prevent electric shock.
When connecting with car power (cigarette lighter) adaptor, be sure the input voltage of the adaptor is identical with car voltage.

Please always use supplied AC/DC adaptor (AY4117)

Safety and maintenance

- Do not disassemble the unit for laser rays are dangerous to eyes.
Any service should be done by qualified service personnel.
Unplug the AC adaptor to cut the power if liquid or objects get inside the unit.

Hearing Safety

- Listen at a moderate volume.
Using headphones at a high volume can impair your hearing.
This product can produce sounds in decibel ranges that may cause hearing loss for a normal person, even for exposure less than a minute.

Be sure to observe the following guidelines when using your headphones.

- Listen at reasonable volumes for reasonable periods of time.
Be careful not to adjust the volume as your hearing adapts.
Do not turn up the volume so high that you can't hear what's around you.

Be sure to observe the following guidelines when using your headphones.

- Listen at reasonable volumes for reasonable periods of time.
Be careful not to adjust the volume as your hearing adapts.
Do not turn up the volume so high that you can't hear what's around you.

Be sure to observe the following guidelines when using your headphones.

- Listen at reasonable volumes for reasonable periods of time.
Be careful not to adjust the volume as your hearing adapts.
Do not turn up the volume so high that you can't hear what's around you.

When the player is in use for a long period of time, the surface will be heated. This is normal.

Handling discs

- Do not attach paper or tape to the disc.
Keep the disc away from direct sunlight or heat sources.
Store the disc in a disc case after playback.
To clean, wipe the disc outwards from the center with a soft, lint-free clean cloth.

On handling the LCD screen
The LCD is manufactured using high precision technology. You may, however, see tiny black points and/or bright points (red, blue, green) that continuously appear on the LCD.

Environmental information
We have reduced the packaging to its minimum and made it easy to separate into mono materials: cardboard, PS, PE and PET.

Charging the units

4.1 Charge the DVD player
Plug in the AC/DC adaptor.

4.2 Powering your remote control
1 Open the battery compartment. Remove the protective plastic tab (first time users only).

5 Start up

5.1 Setup

1 Press SETUP. A list of features is shown.

5.2 Playback DVD
1 Briefly press the POWER ON button on top of the player to switch on the set.

5.3 Playback VCD
1 Briefly press the POWER ON button on top of the player to switch on the set.

5.4 Playback Super (S)-VCD
(Super) Video CDs may feature PBC (Play Back Control). This allows you to play the video CDs interactively.

5.5 Playback Music CD
1 Briefly press the POWER ON button on top of the player to switch on the set.

5.6 Playback Music MP3/WMA-CD
1 Briefly press the POWER ON button on top of the player to switch on the set.

OSD menu navigation diagrams showing options like Language, PBC settings, Power save, DivX (VOD), Parental, Set password, Factory settings, Video, TV Display, TV standard, Audio, Dolby, Digital (SPDIF).

Video setup is available to be changed only when playback is stopped.

5.2 Playback DVD

- 1 Briefly press the POWER ON button on top of the player to switch on the set.
2 Insert the DVD into the disc slot on the right side of the player.
3 The player will start to play the disc automatically.

IMPORTANT Do not load 8-cm mini DVD disc into the player. The DVD player does not play mini DVD disc.

- 4 Use navigation keys to select the folder and MP3/WMA file to be played.
5 The following functions are available during playback:

Pause Press II to pause playback. You can resume playback by pressing II again.

Previous/Next Briefly press II or II once or several times to select your desired track.

Fast backward / Fast forward Keep pressing II or II will search in fast speed, 2X, 4X, 8X... Then, press II to resume normal playback.

Volume Control Press A or V briefly or repeatedly to increase or decrease the sound volume.

Stop Briefly press II on the right side of the player to stop playback.

Subtitle Change subtitle display. The function is available by pressing either the SUBTITLE or OPTIONS key.

Language Change language. The function is available by pressing either the AUDIO or OPTIONS key.

Angle Change the viewing angle provided in the DVD disc. The function is available by pressing the OPTIONS key.

Zoom Zoom in the screen, and then use the navigation keys to pan the screen. The function is available by pressing either the ZOOM or OPTIONS key.

A-B Repeat Set repeat loop playback. Press A-B to set the starting point and press A-B again to set the ending point.

5.3 Playback VCD
1 Briefly press the POWER ON button on top of the player to switch on the set.

5.4 Playback Super (S)-VCD
(Super) Video CDs may feature PBC (Play Back Control). This allows you to play the video CDs interactively.

5.5 Playback Music CD
1 Briefly press the POWER ON button on top of the player to switch on the set.

5.6 Playback Music MP3/WMA-CD
1 Briefly press the POWER ON button on top of the player to switch on the set.

4 Use navigation keys to select the folder and MP3/WMA file to be played.

5 The following functions are available during playback:

Pause Press II to pause playback. You can resume playback by pressing II again.

Previous/Next Briefly press II or II once or several times to select your desired track.

Fast backward / Fast forward Keep pressing II or II will search in fast speed. Then, press II to resume normal playback.

Volume Control Press A or V briefly or repeatedly to increase or decrease the sound volume.

Repeat Press OPTIONS key to select Repeat 1 track or Repeat all tracks.

Shuffle Press OPTIONS key to turn shuffle playback on or off.

Stop Briefly press II on the right side of the player to stop playback.

5.7 Playback Picture-CD

The player can only read pictures in JPEG format.

- 1 Briefly press the POWER ON button on top of the player to switch on the set.
2 Insert the DVD into the disc slot on the right side of the player.
3 The set will start to play the disc automatically.

4 Use navigation keys to select the folder and JPEG file to be played.

5 The following functions are available during playback:

Pause Press II to pause playback. You can resume playback by pressing II again.

Previous/Next Briefly press II or II once or several times to select your desired track.

Rotate Press OPTIONS key to select rotate mode. Then, use A to rotate the picture clockwise. Use B to rotate the picture anti-clockwise.

Zoom Zoom in the screen, and then use the navigation keys to pan the screen. The function is available by pressing either the ZOOM or OPTIONS key.

Stop Briefly press II on the right side of the player to stop playback.

6 At the end of the playback, press II to eject the disc from the player.

5.8 Playback from USB

This USB port supports the playback of JPEG / MP3 / WMA / DivX / MPG-4 files.

Transferring and recording of data from the DVD to the USB port is not possible.

- 1 Briefly press the POWER ON button on top of the player to switch on the set.
2 Insert a USB flash drive or USB memory card reader into the USB port.
3 The player will automatically browse and show the contents in the USB flash device.
4 Use navigation keys to select the file you want to access, then press OK to play it.

5 At the end of the playback, unplug the USB flash drive or USB memory card from the player.

6 Addition Functions

6.1 DISPLAY Menu

When you press DISPLAY during playback, the following menu will appear and you can access the corresponding function and information:

Turn off LCD You can turn off the screen in some situations, such as when connected to TV or playing music discs.

Brightness It allows you to adjust the brightness of the screen.

Contrast It allows you to adjust the contrast of the screen.

Color It allows you to adjust the color of the screen from cool, warm and normal.

Battery level It shows the battery level.

6.2 Connection

6.2.1 Headphone

Connect the headphone to either one of the headphone jacks on the side of the player.

6.2.2 TV
You can connect the player to a TV and enjoy your DVD.

6.2.3 AV input
You can connect to other devices such as Digital Video Recorder, Digital Camera, etc.

6.2.4 Coaxial
It provides digital audio output signal that you can connect to your home theater equipment to decode the digital audio signal.

7 Troubleshooting

If it appears that the DVD-Video player is faulty, first consult this checklist. It may be that something has been overlooked.

WARNING Under no circumstances should you try to repair the set yourself as this will invalidate the guarantee.

Symptom/Remedy table with columns for Symptom and Remedy. Symptoms include: No power, Distorted picture, Completely distorted picture / no colour in the TV screen, No sound, Disc can't be played, Do not load any 8-cm mini DVD discs into the player, The player does not respond to the remote control, Distorted or B/W picture with DVD No audio at digital output, Player does not respond to all operating commands during playback, Player feels warm, Display goes dimmer when AC is unplugged.

8 Technical data

Technical specifications table including Dimensions (25.5 x 17.0 x 3.1 cm), Weight (0.97 kg / 2.13 lb), AC power adaptor (DC 9V 1.8A), Power Consumption (≤ 20W), Operating temperature range (0 - 50°C (32 - 122°F)), Laser wavelength (650nm), Video system (NTSC / PAL / AUTO).

PHILIPS reserves the right to make design and specification changes for product improvement without prior notice. Modifications not authorized by the manufacturer may void users authority to operate this device.

Copyright information

The making of unauthorized copies of copy-protected material, including computer programmes, files, broadcasts and sound recordings, may be an infringement of copyrights and constitute a criminal offence.

Disposal of your old product

Your product is designed and manufactured with high quality materials and components, which can be recycled and reused.

When this crossed-out wheeled bin symbol is attached to a product, it means the product is covered by the European Directive 2002/96/EC.

Please be informed about the local separate collection system for electrical and electronic products. Please act according to your local rules and do not dispose of your old product with your normal household waste.



便携式 DVD 播放器

用户手册

PET830



PHILIPS



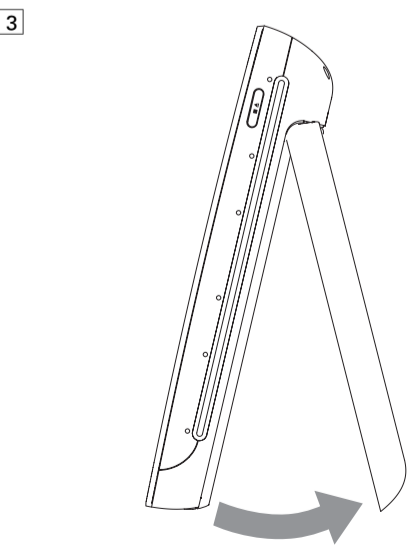
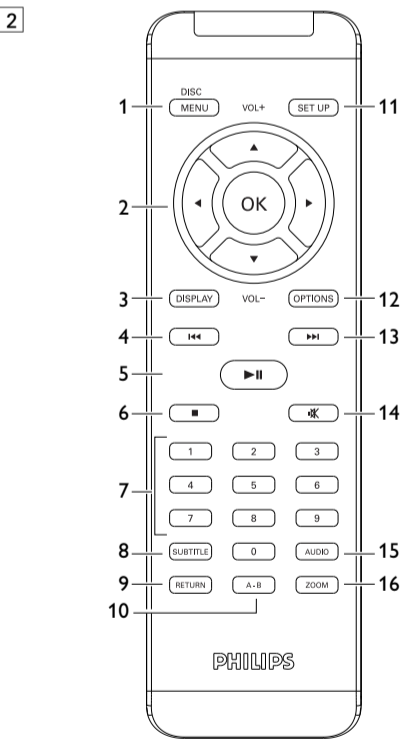
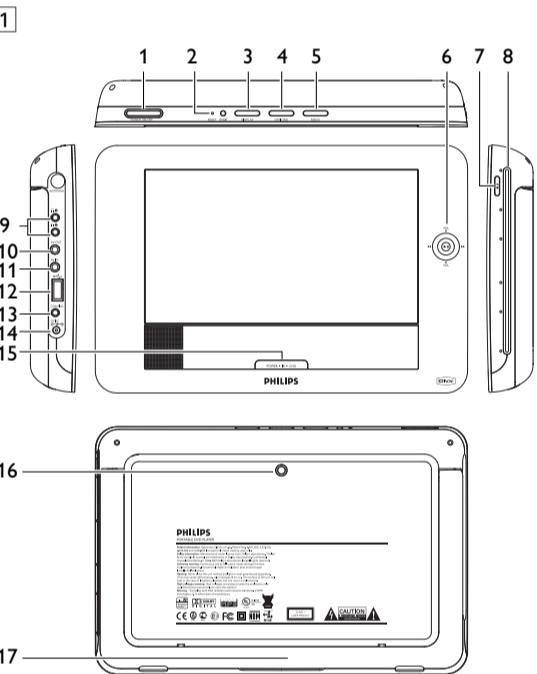
Be responsible Respect copyrights

未经授权不得复制或传播... 2007 © 荷兰皇家飞利浦电子股份有限公司。版权所有。



中国印刷

vk7202



中文

目录

Table with 2 columns: Section number and title. Includes sections like 控制元件和功能组件, 装置充电, 播放 DVD, etc.

1 控制元件和功能组件

- 1.1 播放器顶部 (参见图 1)
1.2 RESET (重启)
1.3 DISPLAY (显示)
1.4 OPTIONS (选项)
1.5 MENU (菜单)

1.2 播放器左侧 (参见图 1)

- 9 耳机插孔
10 AV OUT (音频/视频输出)
11 AV IN (音频/视频输入)
12 USB
13 Coaxial (同轴插孔) 数字音频输出
14 DC IN

1.3 播放器正面 (参见图 2)

- 6 播放/暂停
7 快进/快退
15 POWER-IR-CHG (电源/远红外感应器/充电)
16 POWER (电源)
17 IR (红外)
18 Charging (充电)

1.4 播放器右侧 (参见图 1)

- 7 按键一次停止播放按两下弹出光盘
8 光盘插槽
1.5 播放器右侧 (参见图 2)
16 汽车安装螺钉孔
17 支架

1.6 遥控器 (参见图 2)

- 1 MENU (菜单)
2 上下/左右导航键
3 OK (确认)
4 VOL +/- (音量控制)
5 DISPLAY (显示)
6 返回上一章、曲目或标题
7 开始/暂停/恢复播放
8 按两次停止播放
9 数字键盘
10 SUBTITLE (字幕)
11 RETURN (返回)
12 A-B (重复)
13 SETUP (设定)
14 OPTION (选项)
15 跳至下一章、曲目或标题
16 播放器静音
17 AUDIO (音效)
18 ZOOM (缩放)

1.7 播放器桌面支架 (参见图 3)

- 您可以放置 DVD 播放器于桌面欣赏电影。
2 介绍
2.1 您的便携式 DVD 播放器
2.2 后封包装
2.3 放置
2.4 可播放光盘格式

- 2.4.1 DVD 视频
2.4.2 VCD 视频光盘
2.4.3 音频光盘 / MP3 / WMA 光盘
2.4.4 附有 JPEG 文件的光盘
2.4.5 DivX 视频光盘
2.4.6 Zero Bright Dot™ (零亮点)

- 2.4.1 DVD 视频
2.4.2 VCD 视频光盘
2.4.3 音频光盘 / MP3 / WMA 光盘
2.4.4 附有 JPEG 文件的光盘
2.4.5 DivX 视频光盘
2.4.6 Zero Bright Dot™ (零亮点)

- 2.4.1 DVD 视频
2.4.2 VCD 视频光盘
2.4.3 音频光盘 / MP3 / WMA 光盘
2.4.4 附有 JPEG 文件的光盘
2.4.5 DivX 视频光盘
2.4.6 Zero Bright Dot™ (零亮点)

3 一般信息

- 电源
本装置使用提供的交流适配器、汽车适配器或可充电电池组。
确定交流适配器的输入电压与当地电压相符。
湿手切勿触摸交流适配器以防触电。
与汽车电源 (点烟器) 适配器连接时, 确保适配器输入电压与汽车电压一致。
长时间不使用本装置时从电源插口拔出交流适配器或移除电池。
握住插头来断开交流适配器。切勿拉电源线。

始终请使用提供的直流/交流适配器 (AY4117)

- 安全和维护
激光射线对眼睛有害。切勿拆开本装置。
任何服务均由合格的服务人员进行。
如果液体或杂物进入本装置内部, 拔掉交流电适配器切断电源。
小心勿摔着本装置或使其遭受强烈震动, 这样会导致故障。

- 安全收听
收听音量要适中。
耳机音量过高会损坏您的听力。
声音有时会给您造成不适。
注意不要根据您的听力的适应程度调节音量。

- 设定安全的音量:
先将音量控制设定在一个低水平。
然后慢慢提高, 直到您听起来舒服清晰且完全没有失真。
收听时间应有所节制。
即使在“安全”水平下, 长时间收听也会损害听力。

- 5.3 播放 DVD
1 长按播放器主机上的 POWER ON (电源开关) 键启动装置。
2 将 DVD 插入播放器右侧的光盘插槽。
3 播放器将自动开始播放光盘。

- 5.2 播放 DVD
1 长按播放器主机上的 POWER ON (电源开关) 键启动装置。
2 将 DVD 插入播放器右侧的光盘插槽。
3 播放器将自动开始播放光盘。

- 5.1 启动
1 按下 SETUP (设定) 这时会出现一个功能列表。

- 5.2 播放 DVD
1 长按播放器主机上的 POWER ON (电源开关) 键启动装置。
2 将 DVD 插入播放器右侧的光盘插槽。
3 播放器将自动开始播放光盘。

- 5.3 播放 VCD
1 长按播放器主机上的 POWER ON (电源开关) 键启动装置。
2 将 VCD 插入播放器右侧的光盘插槽。
3 播放器将自动开始播放光盘。

- 5.4 播放超级 VCD
1 长按播放器主机上的 POWER ON (电源开关) 键启动装置。
2 将 (超级) VCD 插入播放器右侧的光盘插槽。
3 播放器将自动开始播放光盘。

- 5.5 播放音乐光盘
1 长按播放器主机上的 POWER ON (电源开关) 键启动装置。
2 将 DVD 插入播放器右侧的光盘插槽。
3 播放器将自动开始播放光盘。

- 5.6 播放音乐 MP3/WMA 光盘
1 长按播放器主机上的 POWER ON/OFF (电源开关) 键启动装置。
2 将 DVD 插入播放器右侧的光盘插槽。
3 播放器将自动开始播放光盘。

- 5.7 播放图像光盘
1 长按播放器主机上的 POWER ON/OFF (电源开关) 键启动装置。
2 将 DVD 插入播放器右侧的光盘插槽。
3 播放器将自动开始播放光盘。

- 5.8 从 USB 播放
USB 端口支持 JPEG / MP3 / WMA / DivX / MPG-4 文件的播放。

- 5.9 附加功能
6.1 DISPLAY (显示) 目录

- 6.2 连接
6.2.1 耳机
6.2.2 电视
6.2.3 音频视频输入

- 6.3 疑难解答
6.3.1 没有电源
6.3.2 画面失真
6.3.3 没有声音
6.3.4 无法播放光盘
6.3.5 请勿插入 8 厘米迷你 DVD 光盘
6.3.6 播放器不响应遥控器
6.3.7 DVD 图像失真或黑白图像
6.3.8 数字输出无音频
6.3.9 播放时播放器不响应所有的操作命令
6.3.10 播放器发热
6.3.11 按下 AC 接头后, 显示器变暗

- 6.4 技术数据
尺寸
重量
电源
功率
使用温度范围
激光波长
视频制式
飞行油保留为改进产品而更改其设计和规格的权利, 恕不事先通知。
服务商如未经授权擅自对产品进行更改, 可能会使其操作本设备的权利失效。版权所有。

- 6.5 以下功能在播放时可用:
Pause (暂停)
Previous (上一首) / Next (下一首)
Rotate (旋转)
Zoom (缩放)
Stop (停止)

- 6.6 播放结束时, 按下 播放键从播放器中弹出。
6.7 关闭 LCD 屏幕
6.8 亮度
6.9 对比度
6.10 颜色
6.11 电量

- 6.2 连接
6.2.1 耳机
6.2.2 电视
6.2.3 音频视频输入

- 6.3 疑难解答
6.3.1 没有电源
6.3.2 画面失真
6.3.3 没有声音
6.3.4 无法播放光盘
6.3.5 请勿插入 8 厘米迷你 DVD 光盘
6.3.6 播放器不响应遥控器
6.3.7 DVD 图像失真或黑白图像
6.3.8 数字输出无音频
6.3.9 播放时播放器不响应所有的操作命令
6.3.10 播放器发热
6.3.11 按下 AC 接头后, 显示器变暗

- 6.4 技术数据
尺寸
重量
电源
功率
使用温度范围
激光波长
视频制式

- 6.5 以下功能在播放时可用:
Pause (暂停)
Previous (上一首) / Next (下一首)
Rotate (旋转)
Zoom (缩放)
Stop (停止)

- 6.6 播放结束时, 按下 播放键从播放器中弹出。
6.7 关闭 LCD 屏幕
6.8 亮度
6.9 对比度
6.10 颜色
6.11 电量

- 6.2 连接
6.2.1 耳机
6.2.2 电视
6.2.3 音频视频输入

- 6.3 疑难解答
6.3.1 没有电源
6.3.2 画面失真
6.3.3 没有声音
6.3.4 无法播放光盘
6.3.5 请勿插入 8 厘米迷你 DVD 光盘
6.3.6 播放器不响应遥控器
6.3.7 DVD 图像失真或黑白图像
6.3.8 数字输出无音频
6.3.9 播放时播放器不响应所有的操作命令
6.3.10 播放器发热
6.3.11 按下 AC 接头后, 显示器变暗

- 6.4 技术数据
尺寸
重量
电源
功率
使用温度范围
激光波长
视频制式

- 6.5 以下功能在播放时可用:
Pause (暂停)
Previous (上一首) / Next (下一首)
Rotate (旋转)
Zoom (缩放)
Stop (停止)

- 6.6 播放结束时, 按下 播放键从播放器中弹出。
6.7 关闭 LCD 屏幕
6.8 亮度
6.9 对比度
6.10 颜色
6.11 电量

- 6.2 连接
6.2.1 耳机
6.2.2 电视
6.2.3 音频视频输入

- 6.3 疑难解答
6.3.1 没有电源
6.3.2 画面失真
6.3.3 没有声音
6.3.4 无法播放光盘
6.3.5 请勿插入 8 厘米迷你 DVD 光盘
6.3.6 播放器不响应遥控器
6.3.7 DVD 图像失真或黑白图像
6.3.8 数字输出无音频
6.3.9 播放时播放器不响应所有的操作命令
6.3.10 播放器发热
6.3.11 按下 AC 接头后, 显示器变暗

- 6.4 技术数据
尺寸
重量
电源
功率
使用温度范围
激光波长
视频制式

- 6.5 以下功能在播放时可用:
Pause (暂停)
Previous (上一首) / Next (下一首)
Rotate (旋转)
Zoom (缩放)
Stop (停止)

- 6.6 播放结束时, 按下 播放键从播放器中弹出。
6.7 关闭 LCD 屏幕
6.8 亮度
6.9 对比度
6.10 颜色
6.11 电量

- 6.2 连接
6.2.1 耳机
6.2.2 电视
6.2.3 音频视频输入

- 6.3 疑难解答
6.3.1 没有电源
6.3.2 画面失真
6.3.3 没有声音
6.3.4 无法播放光盘
6.3.5 请勿插入 8 厘米迷你 DVD 光盘
6.3.6 播放器不响应遥控器
6.3.7 DVD 图像失真或黑白图像
6.3.8 数字输出无音频
6.3.9 播放时播放器不响应所有的操作命令
6.3.10 播放器发热
6.3.11 按下 AC 接头后, 显示器变暗

- 6.5 以下功能在播放时可用:
Pause (暂停)
Previous (上一首) / Next (下一首)
Rotate (旋转)
Zoom (缩放)
Stop (停止)

- 6.6 播放结束时, 按下 播放键从播放器中弹出。
6.7 关闭 LCD 屏幕
6.8 亮度
6.9 对比度
6.10 颜色
6.11 电量

- 6.2 连接
6.2.1 耳机
6.2.2 电视
6.2.3 音频视频输入

- 6.3 疑难解答
6.3.1 没有电源
6.3.2 画面失真
6.3.3 没有声音
6.3.4 无法播放光盘
6.3.5 请勿插入 8 厘米迷你 DVD 光盘
6.3.6 播放器不响应遥控器
6.3.7 DVD 图像失真或黑白图像
6.3.8 数字输出无音频
6.3.9 播放时播放器不响应所有的操作命令
6.3.10 播放器发热
6.3.11 按下 AC 接头后, 显示器变暗

- 6.4 技术数据
尺寸
重量
电源
功率
使用温度范围
激光波长
视频制式

- 6.5 以下功能在播放时可用:
Pause (暂停)
Previous (上一首) / Next (下一首)
Rotate (旋转)
Zoom (缩放)
Stop (停止)

- 6.6 播放结束时, 按下 播放键从播放器中弹出。
6.7 关闭 LCD 屏幕
6.8 亮度
6.9 对比度
6.10 颜色
6.11 电量

- 6.2 连接
6.2.1 耳机
6.2.2 电视
6.2.3 音频视频输入

- 6.3 疑难解答
6.3.1 没有电源
6.3.2 画面失真
6.3.3 没有声音
6.3.4 无法播放光盘
6.3.5 请勿插入 8 厘米迷你 DVD 光盘
6.3.6 播放器不响应遥控器
6.3.7 DVD 图像失真或黑白图像
6.3.8 数字输出无音频
6.3.9 播放时播放器不响应所有的操作命令
6.3.10 播放器发热
6.3.11 按下 AC 接头后, 显示器变暗

- 6.4 技术数据
尺寸
重量
电源
功率
使用温度范围
激光波长
视频制式

- 6.5 以下功能在播放时可用:
Pause (暂停)
Previous (上一首) / Next (下一首)
Rotate (旋转)
Zoom (缩放)
Stop (停止)

- 6.6 播放结束时, 按下 播放键从播放器中弹出。
6.7 关闭 LCD 屏幕
6.8 亮度
6.9 对比度
6.10 颜色
6.11 电量

- 6.2 连接
6.2.1 耳机
6.2.2 电视
6.2.3 音频视频输入

- 6.3 疑难解答
6.3.1 没有电源
6.3.2 画面失真
6.3.3 没有声音
6.3.4 无法播放光盘
6.3.5 请勿插入 8 厘米迷你 DVD 光盘
6.3.6 播放器不响应遥控器
6.3.7 DVD 图像失真或黑白图像
6.3.8 数字输出无音频
6.3.9 播放时播放器不响应所有的操作命令
6.3.10 播放器发热
6.3.11 按下 AC 接头后, 显示器变暗

- 6.4 技术数据
尺寸
重量
电源
功率
使用温度范围
激光波长
视频制式

- 6.5 以下功能在播放时可用:
Pause (暂停)
Previous (上一首) / Next (下一首)
Rotate (旋转)
Zoom (缩放)
Stop (停止)

- 6.6 播放结束时, 按下 播放键从播放器中弹出。
6.7 关闭 LCD 屏幕
6.8 亮度
6.9 对比度
6.10 颜色
6.11 电量

- 6.2 连接
6.2.1 耳机
6.2.2 电视
6.2.3 音频视频输入

- 6.3 疑难解答
6.3.1 没有电源
6.3.2 画面失真
6.3.3 没有声音
6.3.4 无法播放光盘
6.3.5 请勿插入 8 厘米迷你 DVD 光盘
6.3.6 播放器不响应遥控器
6.3.7 DVD 图像失真或黑白图像
6.3.8 数字输出无音频
6.3.9 播放时播放器不响应所有的操作命令
6.3.10 播放器发热
6.3.11 按下 AC 接头后, 显示器变暗

- 6.5 以下功能在播放时可用:
Pause (暂停)
Previous (上一首) / Next (下一首)
Rotate (旋转)
Zoom (缩放)
Stop (停止)

- 6.6 播放结束时, 按下 播放键从播放器中弹出。
6.7 关闭 LCD 屏幕
6.8 亮度
6.9 对比度
6.10 颜色
6.11 电量

- 6.2 连接
6.2.1 耳机
6.2.2 电视
6.2.3 音频视频输入

- 6.3 疑难解答
6.3.1 没有电源
6.3.2 画面失真
6.3.3 没有声音
6.3.4 无法播放光盘
6.3.5 请勿插入 8 厘米迷你 DVD 光盘
6.3.6 播放器不响应遥控器
6.3.7 DVD 图像失真或黑白图像
6.3.8 数字输出无音频
6.3.9 播放时播放器不响应所有的操作命令
6.3.10 播放器发热
6.3.11 按下 AC 接头后, 显示器变暗

- 6.4 技术数据
尺寸
重量
电源
功率
使用温度范围
激光波长
视频制式

- 6.5 以下功能在播放时可用:
Pause (暂停)
Previous (上一首) / Next (下一首)
Rotate (旋转)
Zoom (缩放)
Stop (停止)

- 6.6 播放结束时, 按下 播放键从播放器中弹出。
6.7 关闭 LCD 屏幕
6.8 亮度
6.9 对比度
6.10 颜色
6.11 电量

- 6.2 连接
6.2.1 耳机
6.2.2 电视
6.2.3 音频视频输入

- 6.3 疑难解答
6.3.1 没有电源
6.3.2 画面失真
6.3.3 没有声音
6.3.4 无法播放光盘
6.3.5 请勿插入 8 厘米迷你 DVD 光盘
6.3.6 播放器不响应遥控器
6.3.7 DVD 图像失真或黑白图像
6.3.8 数字输出无音频
6.3.9 播放时播放器不响应所有的操作命令
6.3.10 播放器发热
6.3.11 按下 AC 接头后, 显示器变暗

- 6.4 技术数据
尺寸
重量
电源
功率
使用温度范围
激光波长
视频制式

- 6.5 以下功能在播放时可用:
Pause (暂停)
Previous (上一首) / Next (下一首)
Rotate (旋转)
Zoom (缩放)
Stop (停止)

- 6.6 播放结束时, 按下 播放键从播放器中弹出。
6.7 关闭 LCD 屏幕
6.8 亮度
6.9 对比度
6.10 颜色
6.11 电量

- 6.2 连接
6.2.1 耳机
6.2.2 电视
6.2.3 音频视频输入

- 6.3 疑难解答
6.3.1 没有电源
6.3.2 画面失真
6.3.3 没有声音
6.3.4 无法播放光盘
6.3.5 请勿插入 8 厘米迷你 DVD 光盘
6.3.6 播放器不响应遥控器
6.3.7 DVD 图像失真或黑白图像
6.3.8 数字输出无音频
6.3.9 播放时播放器不响应所有的操作命令
6.3.10 播放器发热
6.3.11 按下 AC 接头后, 显示器变暗

- 6.4 技术数据
尺寸
重量
电源
功率
使用温度范围
激光波长
视频制式

- 6.5 以下功能在播放时可用:
Pause (暂停)
Previous (上一首) / Next (下一首)
Rotate (旋转)
Zoom (缩放)
Stop (停止)

- 6.6 播放结束时, 按下 播放键从播放器中弹出。
6.7 关闭 LCD 屏幕
6.8 亮度
6.9 对比度
6.10 颜色
6.11 电量

- 6.2 连接
6.2.1 耳机
6.2.2 电视
6.2.3 音频视频输入

- 6.3 疑难解答
6.3.1 没有电源
6.3.2 画面失真
6.3.3 没有声音
6.3.4 无法播放光盘
6.3.5 请勿插入 8 厘米迷你 DVD 光盘
6.3.6 播放器不响应遥控器
6.3.7 DVD 图像失真或黑白图像
6.3.8 数字输出无音频
6.3.9 播放时播放器不响应所有的操作命令
6.3.10 播放器发热
6.3.11 按下 AC 接头后, 显示器变暗