



商用组合式方冰制冰机
COMMERCIAL MODULAR CUBER

IM-220AA
IM-220AWA

使用说明书 INSTRUCTION MANUAL



- 使用说明书是本产品不可分割的重要组成部分，用户须妥善保管。
- 请务必仔细阅读本使用说明书中描述的指南和警告事项，因为这些指南和警告事项为安装人员 / 用户提供了正确安装、持续安全地使用和保养本产品所需的重要信息。
- 请妥善保管本使用说明书，以便必要时参考使用。
- This booklet is an integral and essential part of the product and should be kept and preserved by the user.
- Please read carefully the guidelines and warnings contained herein as they are intended to provide the installer/user with essential information for the proper installation and the continued safe use and maintenance of the product.
- Please preserve this booklet for any further consultation that may be necessary.

生产商：**星崎电机(苏州)有限公司**
Manufacturer: **HOSHIZAKI (SUZHOU) CO., LTD.**

L1M028306 (022022)

中文	重要安全须知1
	I. 安装说明2
	1. 构造2
	2. 附件2
	3. 拆包2
	4. 位置3
	5. 安装4
	6. 电气连接5
	7. 供水和排水连接5
	II. 操作说明7
	1. 启动7
	2. 长时间不使用制冰机时7
	III. 保养8
	1. 清洁8
	2. 联系维修机构前9
	3. 废弃处理9
	4. 保修9
	规格9
ENGLISH	IMPORTANT SAFETY INFORMATION 10
	I. INSTALLATION INSTRUCTIONS 11
	1. CONSTRUCTION 11
	2. ACCESSORIES 11
	3. UNPACKING 11
	4. LOCATION 12
	5. INSTALLATION 13
	6. ELECTRICAL CONNECTIONS 14
	7. WATER SUPPLY AND DRAIN CONNECTIONS 14
	II. OPERATING INSTRUCTIONS 16
	1. START UP 16
	2. PREPARING THE ICEMAKER FOR LONG STORAGE 16
	III. MAINTENANCE 17
	1. CLEANING 17
	2. BEFORE CALLING FOR SERVICE 18
	3. DISPOSAL 18
	4. WARRANTY 18
	SPECIFICATIONS 19

重要安全须知

本说明书提供可能导致死亡、严重受伤或损坏设备的注意事项，请用户使用时注意。

▲警告	表示如不可避免，则可能导致死亡或严重受伤的危险情况。
▲小心	表示如不可避免，则可能导致轻微受伤或中度受伤的危险情况。
注意	表示如不可避免，则可能导致本设备损坏的危险情况。
▲卫生	表示与卫生和食品安全相关的重要预防措施。
重要	表示与使用和维护本设备相关的重要信息。

重要

使用说明书是本产品不可分割的重要组成部分，用户须妥善保管。

请务必仔细阅读本使用说明书中描述的指南和警告事项，因为这些指南和警告事项为安装人员 / 用户提供了正确安装、持续安全地使用和保养本产品所需的重要信息。

请妥善保管本使用说明书，以便必要时参考使用。

▲警告

本制冰机为商用设备，仅适用于该设备所明确设计的用途，且仅可安装到星崎规定的合适的储冰箱上。

其它任何用途都被视为不当用途，因而可能造成危险。对因本产品使用不当、使用不正确和不合理所造成的的任何损失，生产商不承担法律责任或相关责任。

安装及必要时的移机作业，必须交由具备相应知识的作业人员依照现行法规并根据生产商的说明进行。

保持机体内外通风口畅通无阻。

使用任何电气设备均应遵循一些基本规则，尤其是：

*高湿度和潮气会加大电路短路及潜在触电的危险。如有可疑情况，请切断制冰机电源。

*将制冰机与供电网络断开时，请勿损坏或拉扯电源线。

*请勿用湿手触碰电气部件或操作开关。

*本产品不适合残障、智障及缺乏相应经验和知识的人士(包括儿童)单独使用，除非有专人负责其安全，并对其使用本产品加以监督和指导。

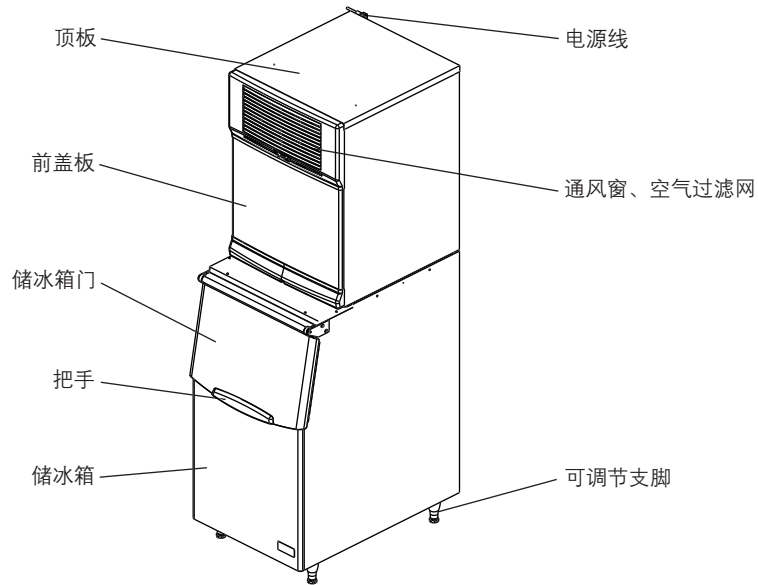
*另外还应对幼童加以看管，以确保其不玩耍本产品。

*请勿尝试改装制冰机。应仅由具备相应知识的作业人员实施拆解或维修作业。

中文

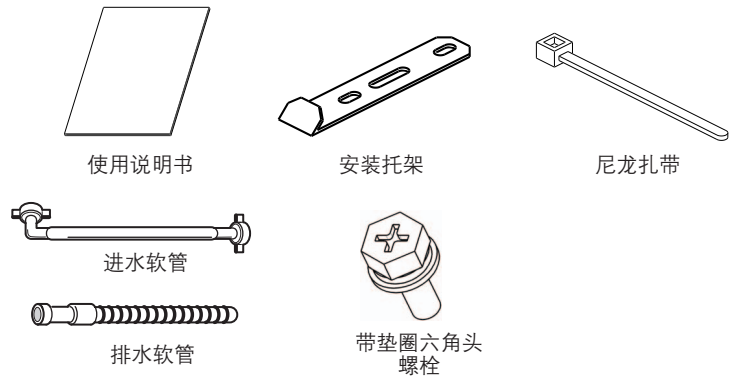
I. 安装说明

1. 构造



2. 附件

使用说明书	1
进水软管	1
排水软管	1
安装托架	2
带垫圈六角头螺栓	2
尼龙扎带	3



3. 拆包

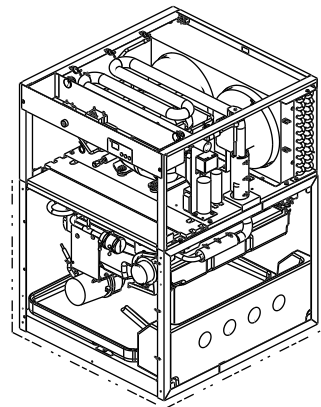
▲警告

包装零件(塑料袋和发泡聚苯乙烯等)存在潜在危险，必须放置到儿童接触不到的地方。

▲小心

请勿使用搬运带提升或搬动纸箱。

手动搬动制冰机时，请拆下面板并抓住虚线所示处的边框。



搬运设备时，请戴好防护手套。

搬运纸箱或拆开包装的设备时，请结伴作业，以防止受伤。

注意

拆除运输包装纸箱、胶带和其它包装材料。如果内部遗留包装材料，制冰机将无法正常工作。

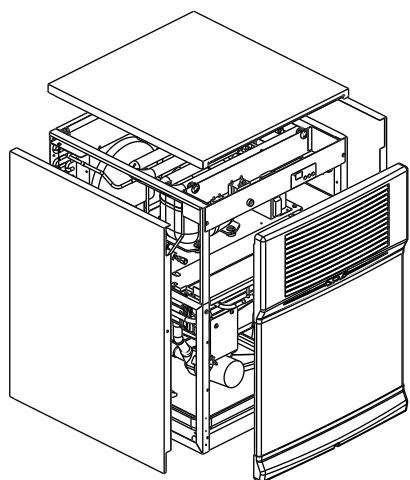
注： 本制冰机需使用储冰箱。星崎推荐使用下列储冰箱：

B301SA-----IM-220AA

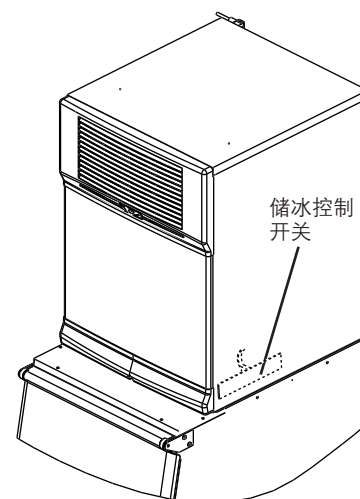
B501SA (带顶部套件8D)--IM-220AA

B801SA (带顶部套件4DM) IM-220AA x 2

- 1) 拆开包装后，请检查并确认制冰机和储冰箱状态完好。如有任何疑问，请勿使用本产品，而应与具备相应资质的专业人员联系。有关拆包和安装指示，请参见储冰箱附带的使用说明。
- 2) 拆下制冰机面板，以便于触及附件套件和简化安装。
- 3) 打开包装的附件。参照“2.附件”检查附件。
- 4) 撕掉固定储冰控制开关的运输用胶带。
- 5) 撕掉外表面的塑料防护膜。如果制冰机暴露于阳光下或热源下，请待制冰机冷却后再撕掉塑料防护膜。



- a) 前盖板： 拆下螺钉。将前面板上提并向外拉动。
- b) 顶面板： 提起前面板，并滑入后侧以松开后部的挂钩。
- c) 后面板： 拆下螺钉，取下后面板。
- d) 侧面板： 拆下螺钉，取下侧面板。

**4. 位置****▲警告**

本制冰机不适合在户外使用。

不得将制冰机安装在靠近火炉、烤箱或其它会产生高温的设备附近。

本产品不适合安装在可能使用喷水器的区域。

高湿度环境下，机器内部可能会产生冷凝水，从而滴在地上。因此，请勿将其安装在易因滴水而损坏地板的场所。

▲小心

制冰机应安装在坚实、平坦的地面上。

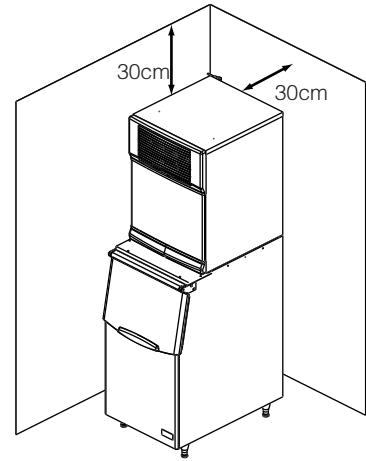
注意

请勿在制冰机上方或通风窗前方放置任何物品。

重要

正常环境温度应为 1°C 至 40°C，正常供水温度应为 5°C 至 35°C。如果长时间超过正常温度范围使用制冰机，将会影响制冰量。

必须留出以下指定的空间，以确保通风顺畅和便于维修保养。

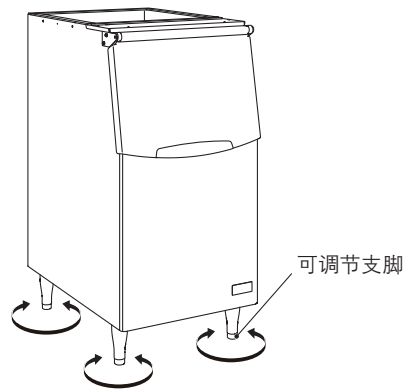
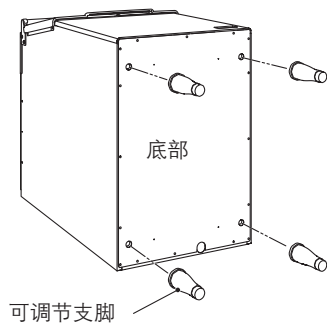


5. 安装

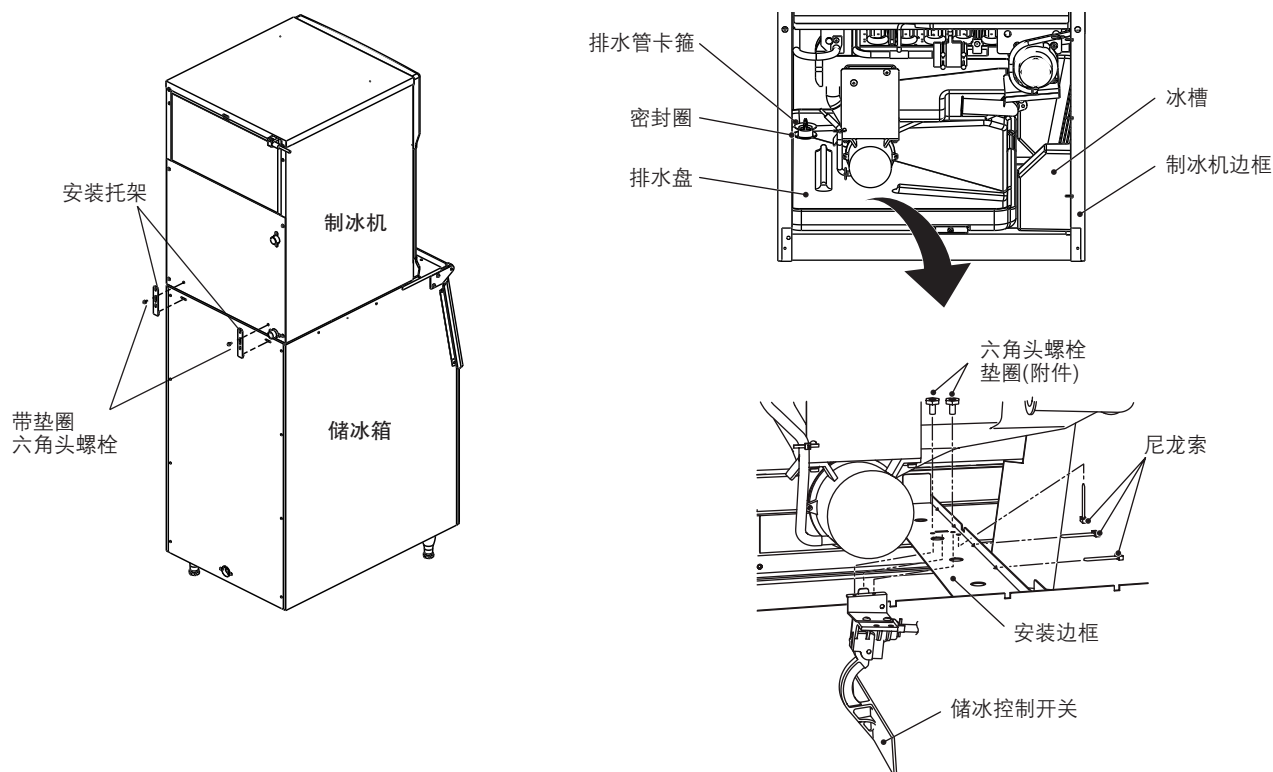
▲小心

错误的安装可能导致人员、动物受伤或损坏其它物品。生产商对由此造成的损害不承担责任。

- 1) 请将储冰箱小心地放到制冰机的后侧，以防损坏。然后将四个可调节支脚(储冰箱附件)拧入储冰箱底部的四个锥形孔中。
- 2) 将储冰箱安装在固定的位置，使其在前后和左右方向上均保持水平。



- 3) 拆下制冰机面板。后面板在安装作业过程中无需拆下。请参见“3. 拆包”。
- 4) 托住制冰机底部，将其放于储冰箱顶部。
- 5) 拆下紧固制冰机后面板底部的2个螺栓。
- 6) 使用附带的安装托架和已拆下的螺栓将制冰机固定至储冰箱后侧。
- 7) 用食品级密封剂密封制冰机和储冰箱之间的接合处。
- 8) 拆下排水管卡箍和排水盘。使用附带的2个螺栓将储冰控制开关紧固至安装边框上。使用3根尼龙扎带固定储冰控制开关配线。将冰槽置于制冰机边框中，然后将排水盘装回原位。
- 9) 将制冰机面板装回原位。



6. 电气连接

警告

本制冰机必须接地

本制冰机必须按所在国家和地区的电气安全标准进行接地。

为避免造成人体触电或设备严重受损，请在制冰机上正确地连接地线。

进行任何保养、维修或清洁作业前，请切断主电源。

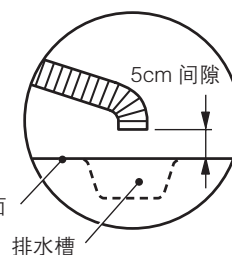
- * 本制冰机需使用单独的电源(220 ~ 240VAC/10A), 且必须安装合适的断路器保护电源。
- * 并非安装的各台制冰机均应配备单独的插座，但须并联到电量充足的同一个单相电源上或电路中。
- * 主控制箱保险丝的额定电流为5A，必须交由具备相应知识的维修人员进行更换。
- * 通常情况下，应由持有电工资质证书或经授权的维修人员进行作业。
- * 若电源线已破损，请更换星崎零部件/维修中心提供的电源线。

7. 供水和排水连接

警告

请仅连接至饮用水供水管。

- * 与总供水管线的连接必须符合国家当前《供水和供水连接件规定》的相关要求。
- * 供水水压必须在0.07MPa(0.7bar)~0.78MPa(8bar)之间。如果水压超过0.78MPa(8bar)，须采用适当的减压阀。请勿关闭供水龙头。
- * 在部分地区可能要求具备水管敷设许可证并由持有相应资质证书的水管工进行作业。
- * 制冰机排水靠重力流动，因此应保证排水管道有足够的坡度或落差。
- * 不得将排水管路直接连接至下水道系统。制冰机和储冰箱的排水管末端与地面排水之间至少需留出5cm的垂直空隙。



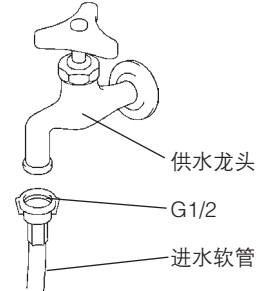
中文

* 应防止排水回流至储冰箱内。

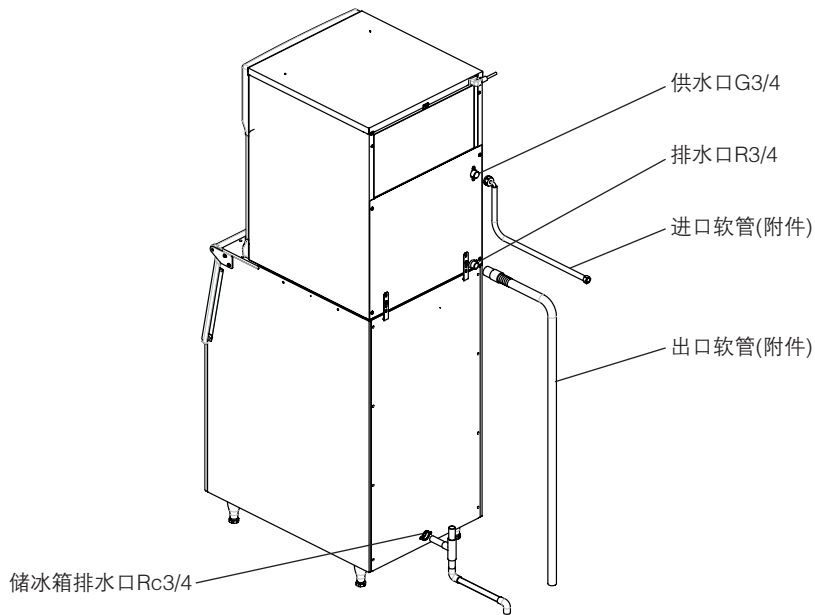
* 对于水冷机型，可能需要在冷却水路中安装一个防回流装置。

* 请务必使用本机附带的全新软管套件。请勿使用老旧的软管套件。

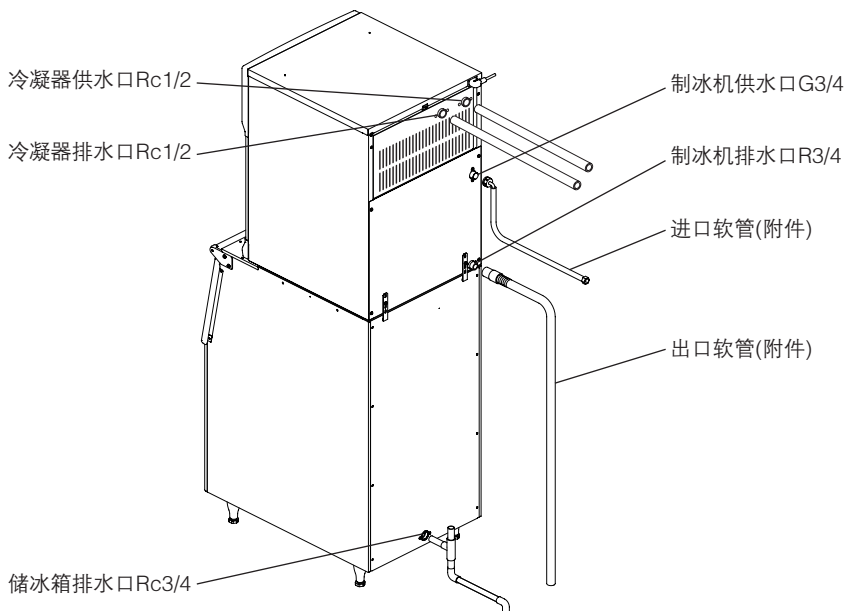
- 1) 将白色挠性进水软管(附件)的弯角端连接到制冰机后方的G3/4管接头上，并确认橡胶密封垫圈已正确就位。手动充分拧紧垫圈，以防止接头漏水。
- 2) 将进水软管的另一端连接到供水龙头，并在如上文所述用手拧紧前检查垫圈是否正确就位。最好在易于触及的部位安装一个截止阀。
- 3) 将灰色挠性排水软管(附件)手动紧固至制冰机后侧的R3/4管接头上，并确认橡胶密封垫圈已正确就位，以防止接头漏水。可根据主排水口的位置将排水管剪切到合适的长度。
- 4) 对于水冷机型，如图所示，使用合适的刚性管将冷凝器冷却水路连接至制冰机后部的Rc1/2管接头。



[风冷机型]



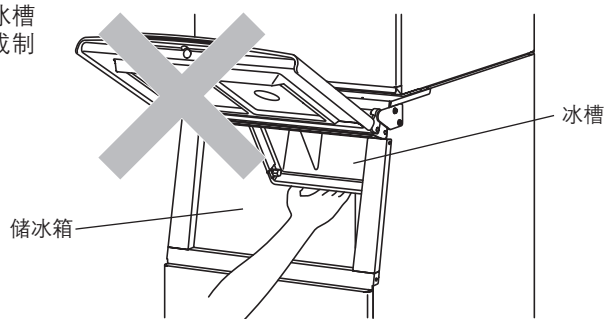
[水冷机型]



II. 操作说明

▲小心

请勿踏入储冰箱内部，或将手伸入储冰箱背面或储冰箱顶部的冰槽中。制冰机上部的冰块可能掉落、大块硬质冰可能突然碎裂或制冰机构可能突然启动，从而引发伤害事故。



注意

所有零部件在出厂前均经过调整。调整不当可能会导致故障。

关闭制冰机后，应至少等待3分钟后再重新启动制冰机，以防止压缩机受损。

▲卫生

本制冰机设计用于制造食用冰。为保持制冰机清洁卫生，请做到以下几点：

- * 取冰前先洗手。使用附带的塑料冰铲(储冰箱附件)。
- * 储冰箱仅用于储存冰块。请勿在储冰箱内存储其它物品，或在箱内使用其它电器。
- * 使用前须清洁储冰箱(参见“III. 1. 清洁”)。
- * 保持冰铲清洁。用中性清洁剂清洗后再用水彻底冲洗。
- * 取冰后关闭储冰箱门，以防止污垢、灰尘或昆虫进入储冰箱。

1. 启动

安装人员通常会试运行制冰机，启动自动制冰过程。为确保制冰机可以连续工作，请确认以下内容：

- * 供水龙头已经打开；
- * 制冰机已经接通电源。

2. 长时间不使用制冰机时

注意

本制冰机无法在冰点以下温度工作。为防止损坏供水管路，当气温低于零度时，请排空制冰机内的水。

▲卫生

制冰机停机2天或2天以上时，请将里面的水排空，防止水路污染。

- 1) 拔下制冰机插头或断开电源。
- 2) 关闭供水龙头，然后拆下进水软管。
- 3) 取出储冰箱内所有冰块并清洁储冰箱。
- 4) 请具备相应知识的专业人员对制冰机执行排水作业。

III. 保养

1. 清洁

▲警告

进行清洁或保养作业前，请将制冰机的电源插头从供电网络上拔下。

严禁用喷水器冲洗本制冰机。

▲小心

使用中性溶液或次氯酸钠溶液时，请务必充分阅读并理解所附带的说明，防止产生潜在的健康问题。

注意

应由受过培训的维修人员对制冰机水路系统进行清洁和消毒作业(每年至少两次)，并对冷凝器进行检查和清洁作业(每年至少一次)。请勿将塑料零件放入温度超过40℃的水中或洗碗机中清洗，以免损坏零件。

中文

[a] 制冰机和储冰箱外壳

用干净的软布每周至少擦拭制冰机的外壳一次。用含有中性清洁剂的湿布擦拭油脂或脏物。

[b] 冰铲和储冰箱门把手的清洗和消毒(每天)

1) 按指示要求在合适的容器中倒入1升水，然后加入4毫升的5.25%次氯酸钠溶液或者星崎推荐的消毒剂进行混合。

2) 将冰铲浸泡在溶液中3分钟以上，然后彻底冲洗并甩干多余的水分。

注：用抹布擦干可能导致二次污染。

3) 用中性清洁剂清洁储冰箱门把手，然后彻底冲洗干净。

4) 用在消毒溶液中浸泡过的干净抹布擦拭把手。用清水冲洗后，再用干净的抹布擦干。

[c] 清洗并消毒储冰箱内部(每周)

1) 打开储冰箱门，取出所有冰块。

注：星崎推荐对不同尺寸和式样的制冰机使用不同的储冰箱。因此，下列说明仅供一般参考。

2) 拆下固定冰槽的翼形螺钉。

3) 从储冰箱上拆下冰槽。

4) 使用中性不含细小微粒的清洁剂清洗储冰箱内胆和冰槽，然后彻底冲洗干净。

5) 按指示要求在合适的容器中倒入5升水，然后加入18毫升的5.25%次氯酸钠溶液或者星崎推荐的消毒剂进行混合。

6) 用在溶液中浸泡过的干净海绵或抹布擦拭储冰箱内胆表面和冰槽。

7) 将冰槽和翼形螺钉装回原位。用清洁剂擦拭储冰箱门和翼形螺钉表面。最后关闭储冰箱门。

8) 剩下的清洁液可用于清洁器皿。

注：请勿在消毒后立即擦干或冲洗器皿，仅可风干处理。

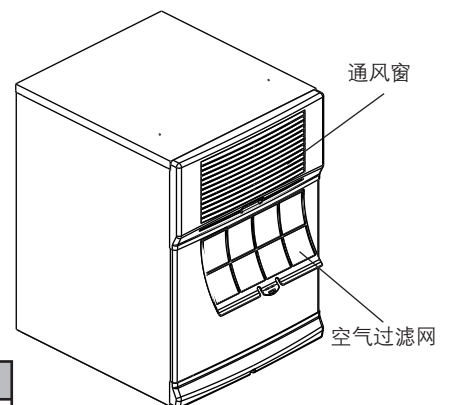
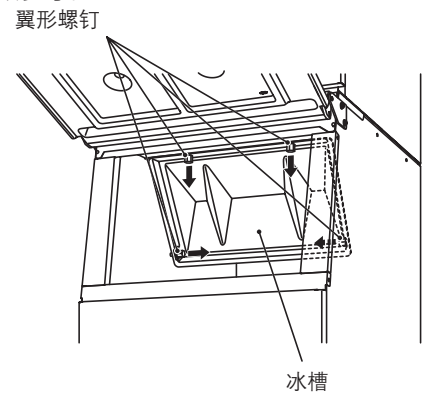
[d] 空气过滤网

塑料网状空气过滤网可以滤除空气中的污垢或灰尘，防止冷凝器堵塞。如果过滤网堵塞，制冰机的性能将会下降。每月请拆下并清洗空气过滤网至少两次：

1) 将空气过滤网从通风窗上滑下。

2) 用真空吸尘器清洁空气过滤网。如果空气过滤网严重堵塞，请用温水和中性清洁剂清洗。

3) 彻底冲洗并晾干空气过滤网。



注意

清洁后，请务必将空气过滤网装回原处。

2. 联系维修机构前



请勿损坏制冷剂回路。

如果制冰机无法正常工作或根本不工作，请在联系维修机构前检查以下事项：

- *制冰机的电源是否接通。
- *水龙头是否打开。
- *空气过滤网是否干净。

请联系当地的星崎维修机构，以获取进一步的帮助或咨询。

3. 废弃处理

对本制冰机及其附带的制冷剂进行废弃处理时，请遵照当地的法律法规。在丢弃本产品前，请务必拆下柜门，以防儿童不慎进入。

4. 保修

星崎向拥有者/用户保证，星崎品牌的所有产品在产品“保修期”内不存在材料和/或工艺缺陷。产品保修在自产品安装之日起两年内有效。

星崎在此保修条款下承担有限责任，日常维护、清洁、必需的保养和/或因误用以及未根据星崎的准则安装而导致的修理则不在星崎的责任范围内。

保修范围内的维修应由授权的星崎经销商或维修机构采用星崎的原装/纯正零部件实施。

若要获取有关保修和授权维修机构的详细信息，请联系经销商/供货商或最近的星崎维修办事处。

规格

型号	IM-220AA	IM-220AWA
类型	风冷型，方形冰	水冷型，方形冰
电源	单相220 ~ 240V 50Hz	单相220 ~ 240V 50Hz
功率	950W(周围温度32°C, 水温21°C)	870W(周围温度32°C, 水温21°C)
每24小时的制冰量	190kg (5mm) / 220kg (15mm) (周围温度10°C, 水温10°C)	200kg (5mm) / 220kg (15mm) (周围温度10°C, 水温10°C)
尺寸	560mm(宽) × 639mm(深) × 775mm(高)	560mm(宽) × 639mm(深) × 775mm(高)
制冷剂	R404A, 500g	R404A, 400g
重量	净重: 69kg(毛重: 76kg)	净重: 69kg(毛重: 76kg)
周围温度	1 ~ 40°C	1 ~ 40°C
供水温度	5 ~ 35°C	5 ~ 35°C
供水压力	0.07 ~ 0.78MPa (0.7 ~ 8bar)	0.07 ~ 0.78MPa (0.7 ~ 8bar)
电压范围	额定电压 ± 6%	额定电压 ± 6%

制品标准番号:

GB 4706.1

GB 4706.13

ENGLISH

IMPORTANT SAFETY INFORMATION

Throughout this manual, notices appear to bring your attention to situations which could result in death, serious injury, or damage to the unit.

▲WARNING	Indicates a hazardous situation which, if not avoided, could result in death or serious injury.
▲CAUTION	Indicates a hazardous situation which, if not avoided, could result in minor or moderate injury.
NOTICE	Indicates a hazardous situation which, if not avoided, could result in damage to the unit.
▲HYGIENE	Indicates important precautions for hygiene and food safety.
IMPORTANT	Indicates important information about the use and care of the unit.

IMPORTANT

This booklet is an integral and essential part of the product and should be kept and preserved by the user.

Please read carefully the guidelines and warnings contained herein as they are intended to provide the installer/user with essential information for the proper installation and the continued safe use and maintenance of the product.

Please preserve this booklet for any further consultation that may be necessary.

▲WARNING

This is a commercial icemaker, and should be destined only to be used for the purpose for which it has been expressly designed and attached to a suitable storage bin as specified by Hoshizaki.

Any other use should be considered improper and therefore dangerous. The manufacturer will not be held liable or responsible for any damage caused by improper, incorrect and unreasonable use.

The installation, and relocation if necessary, must be carried out by qualified personnel, in accordance with current regulations, according to the manufacturer's instructions.

Keep ventilation openings, in the appliance enclosure or in the built-in structure, clear of obstruction.

The use of any electrical appliance involves the observance of some fundamental rules. In particular:

* Instances of high humidity and moisture increase the risk of electrical short circuits and potential electrical shocks. If in doubt, disconnect the icemaker.

* Do not damage the power cord or pull it in order to disconnect the icemaker from the electrical supply network.

* Do not touch the electrical parts or operate the switches with damp hands.

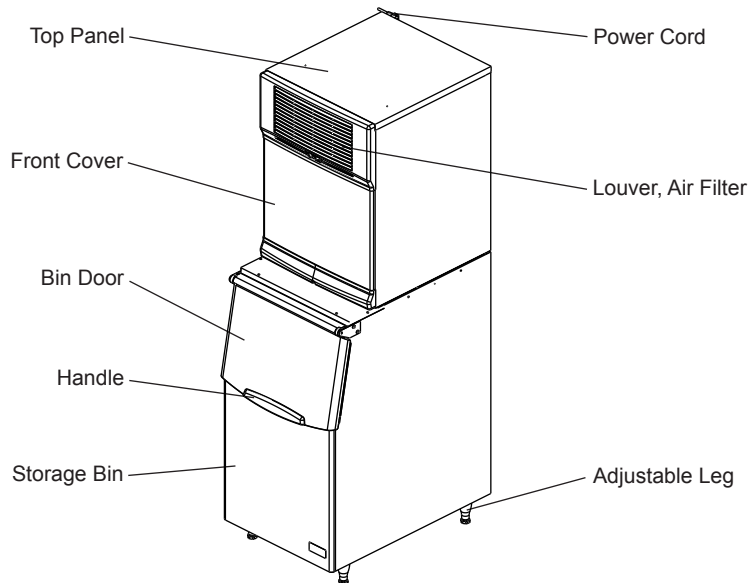
* This appliance is not intended for use by persons (including children) with reduced physical, sensory or mental capabilities, or lack of experience and knowledge, unless they have been given supervision or instruction concerning use of the appliance by a person responsible for their safety.

* Young children should be supervised to ensure that they do not play with the appliance.

* Do not attempt to modify the icemaker. Only qualified personnel may disassemble or repair the appliance.

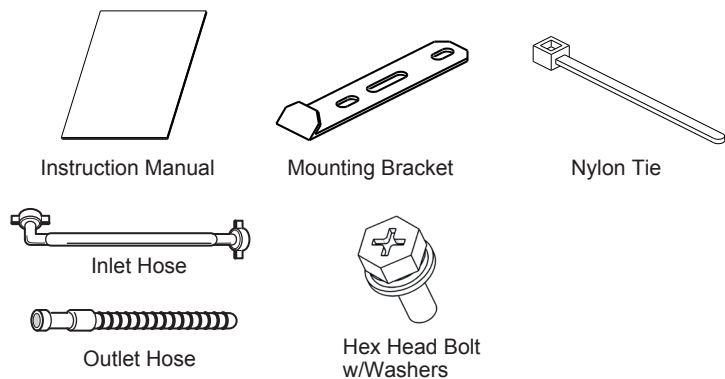
I. INSTALLATION INSTRUCTIONS

1. CONSTRUCTION



2. ACCESSORIES

Instruction Manual	1
Inlet Hose	1
Outlet Hose	1
Mounting Bracket	2
Hex Head Bolt w/Washers	2
Nylon Tie	3



3. UNPACKING

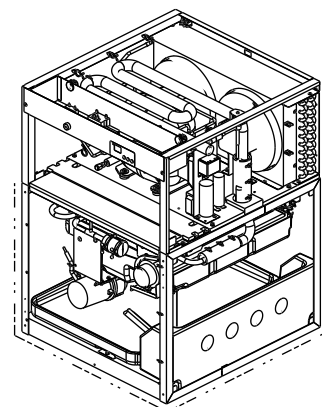
⚠ WARNING

Children should not be allowed in reach of the packaging elements (plastic bags and expanded polystyrene) as they are potential sources of danger.

⚠ CAUTION

Do not lift or manoeuvre the carton by using the shipping bands.

When moving the unit by hand, remove the panels and hold the unit frame where indicated by dashed line.



Always wear protective gloves when carrying the unit.

When handling the carton or the unpacked unit, work in pair to prevent injury.

ENGLISH

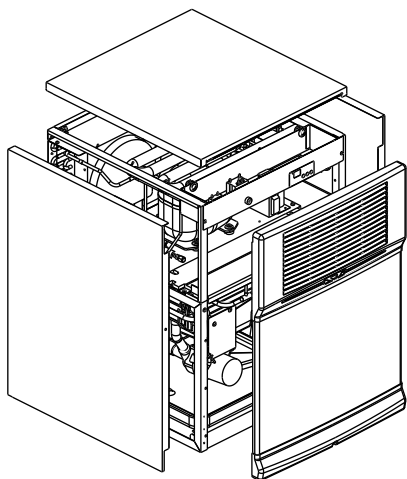
NOTICE

Remove shipping carton, tape(s) and packing. If packing material is left in the icemaker, it will not work properly.

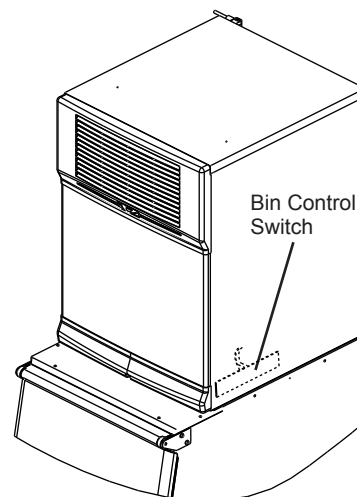
Note: This icemaker needs a storage bin. Hoshizaki recommends the following ice storage bins:

- B301SA-----IM-220AA
- B501SA (Top Kit 8D) -----IM-220AA
- B801SA (Top Kit 4DM)-----IM-220AA x 2

- 1) After removing the packaging, make sure that the icemaker and the storage bin are in good condition. If in doubt, please do not use the icemaker but apply to professionally qualified personnel. See the instruction sheet attached to the storage bin for its unpacking and installation guidelines.
- 2) Remove the icemaker panels to gain access to the accessory kit and to assist easier installation.
- 3) Remove the package of accessories. Check the contents according to "2. ACCESSORIES".
- 4) Remove the shipping tape holding the bin control switch.
- 5) Remove the protective plastic film from the exterior. If the icemaker is exposed to the sun or to heat, remove the film after the icemaker cools.



- a) Front Cover: Remove the screw(s). Lift up and pull toward you.
- b) Top Panel: Lift up the front, and slide backward to unhook the rear.
- c) Rear Panel: Remove the screw(s), and take off.
- d) Side Panel: Remove the screw(s), and take off.



4. LOCATION

⚠ WARNING

This icemaker is not intended for outdoor use.

The icemaker should not be located next to ovens, grills or other high heat producing equipment.

This appliance is not suitable for installation in an area where a water jet could be used.

In some high humidity environments, condensation may form inside the machine and drip onto the floor. Do not install where the floor can be affected by water.

⚠ CAUTION

The location should provide a firm and level foundation for the icemaker.

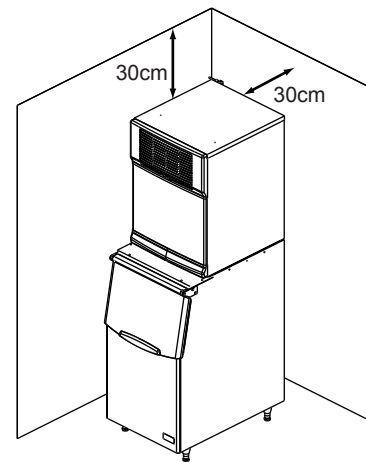
NOTICE

Do not place anything on top of the icemaker or in front of the louver.

IMPORTANT

Normal operating ambient temperature should be within 1°C to 40°C. Normal operating water temperature should be within 5°C to 35°C. Operation of the icemaker, for extended periods, outside of these normal temperature ranges may affect production capacity.

Allow the clearance specified below for proper air circulation and ease of maintenance and/or service should they be required.

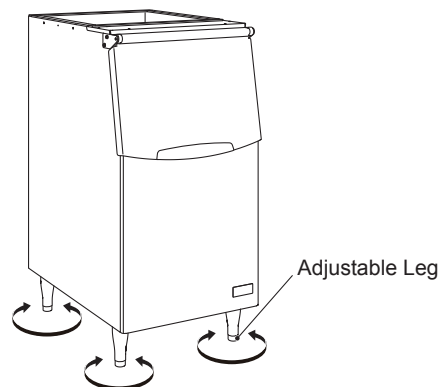
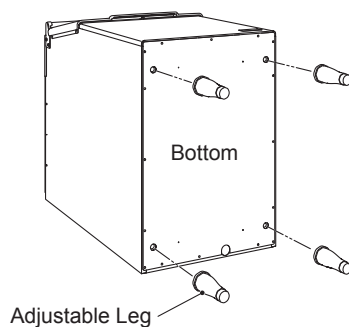


5. INSTALLATION

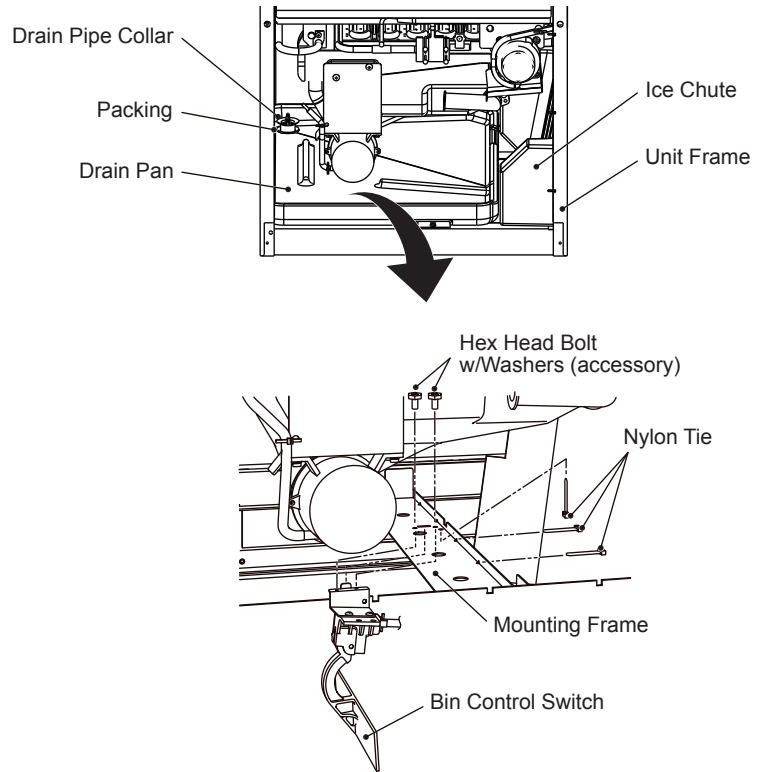
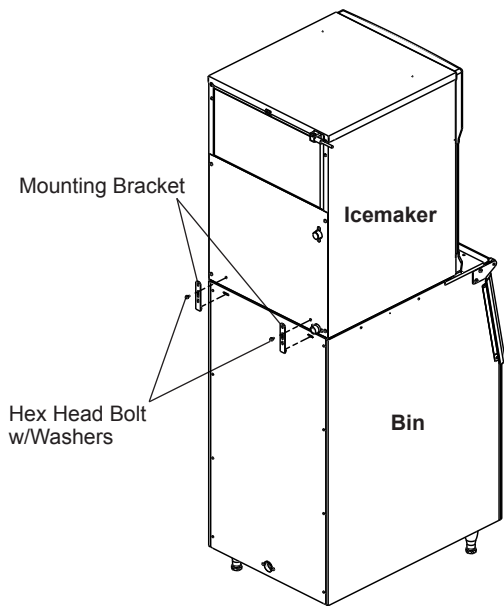
⚠ CAUTION

Incorrect installation can cause harm to people, animals or other items, for which the manufacturer cannot be held responsible.

- 1) Lay the storage bin on its rear side carefully to prevent damage. Secure the four adjustable legs (bin accessory) into the four tapped holes on the underside of the bin.
- 2) Position the storage bin in the selected permanent position, and level it in both the left-to-right and front-to-rear directions.



- 3) Remove the icemaker panels. The rear panel is not required to be removed for installation. See "3. UNPACKING".
- 4) Place the icemaker on the top of the storage bin by holding the bottom.
- 5) Remove the two bolts securing the bottom of the icemaker's rear panel.
- 6) Secure the icemaker to the storage bin at the rear, by using the mounting brackets provided and the bolts removed.
- 7) Seal the seam between the icemaker and the storage bin with food grade sealant.
- 8) Remove the drain pipe collar and drain pan. Secure the bin control switch to the mounting frame using the two bolts provided. Fix the bin control switch wiring with the three nylon ties. Place the ice chute on the unit frame, and refit the drain pan in its correct position.
- 9) Replace the icemaker panels in their correct position.



6. ELECTRICAL CONNECTIONS

⚠ WARNING

THIS APPLIANCE MUST BE EARTHED

This icemaker requires an earth that meets the national and local electrical code requirements.

To prevent possible severe electrical shock to individuals or extensive damage to the unit, install a proper earth wire to the icemaker.

Disconnect the main power supply before any maintenance, repairs or cleaning is undertaken.

- * This appliance requires a separate 220 - 240VAC, 10A supply. The electrical supply must be protected by a suitable circuit breaker.
- * Icemakers installed side by side should each have a separate receptacle, but they must all be connected in parallel to the same single phase supply or circuit with sufficient ampacity.
- * The main control box fuse is rated at 5A and should only be replaced by a qualified service engineer.
- * Usually an electrical permit and services of a licensed electrician are required.
- * If the supply cord is damaged, it must be replaced by a replacement cord available from Hoshizaki Parts/Service Centres.

7. WATER SUPPLY AND DRAIN CONNECTIONS

⚠ WARNING

Connect to potable water supply only.

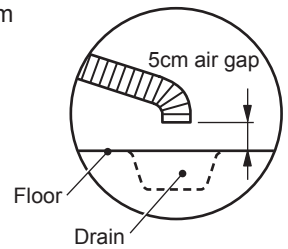
- * The connections to the mains water supply must be made in accordance with the countries' current requirements of the Water Supply or Water Fittings Regulations.
- * Water supply pressure should be minimum 0.07 MPa (0.7 bar) and maximum 0.78 MPa (8 bar). If the pressure exceeds 0.78 MPa (8 bar), use a proper pressure reducing valve. Do NOT throttle back the supply tap.
- * A plumbing permit and services of a licensed plumber may be required in some areas.
- * The icemaker drain is gravity flow, so ensure drain pipe has an adequate pitch or fall.

* Drain lines should not be piped directly to the sewer system. A vertical air gap of a minimum of 5 cm should be between the end of the drain pipes from the icemaker and storage bin and the floor drain.

* Prevent a backflow into the storage bin.

* On water-cooled model, a back flow preventer may be required in the cooling water circuit.

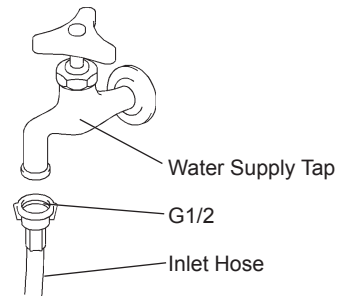
* Be sure to use the new hose-sets supplied with the appliance. Do not reuse any old hose-sets.



1) Attach the angled end of white flexible inlet hose (accessory) to the G3/4 fitting on the rear side of the icemaker as indicated, ensuring rubber sealing washer is correctly positioned. Hand tighten sufficiently to provide leak free joint.

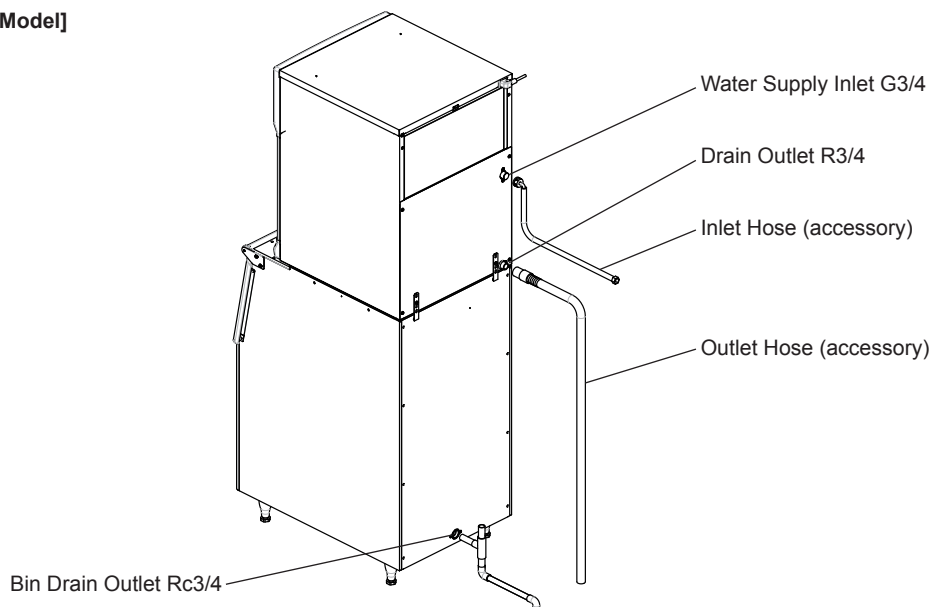
2) Attach the other end of inlet hose to the water tap, noting washer is correctly positioned before hand tightening as above. It is a wise precaution to have a stop valve within easy reach.

3) Hand tighten grey flexible outlet hose (accessory) onto the R3/4 fitting on the rear of the icemaker as indicated, ensuring rubber washer is correctly positioned to obtain a leak free joint. The hose can be cut to length as necessary to suit position of main drain.

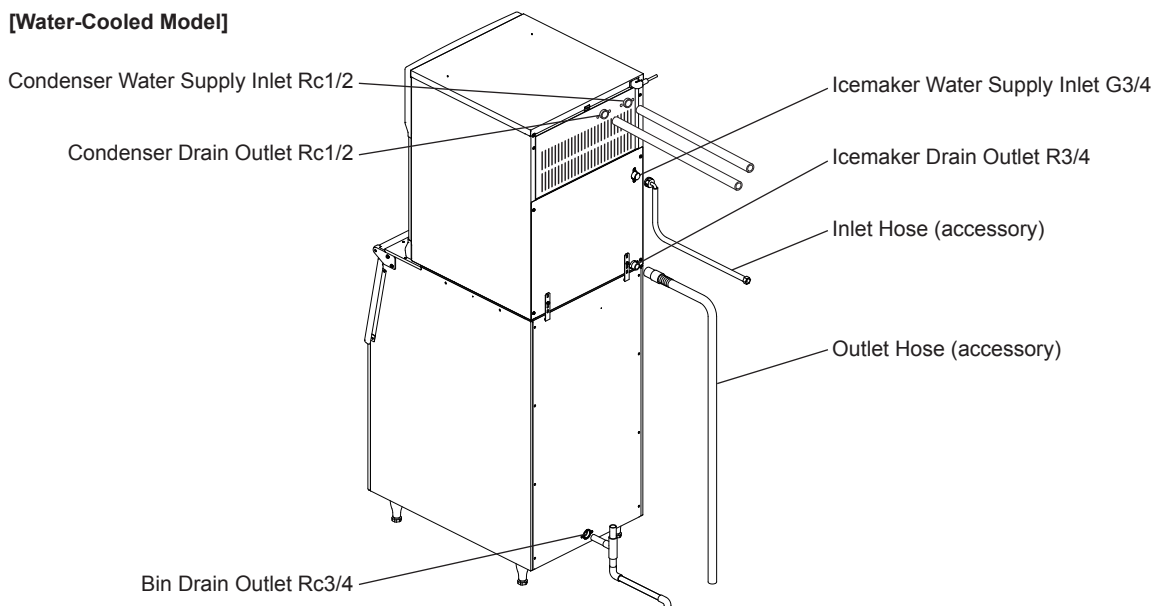


4) On water-cooled model, connect the condenser cooling circuit to the Rc1/2 fittings on the rear of the icemaker as indicated using a suitable rigid type pipe.

[Air-Cooled Model]



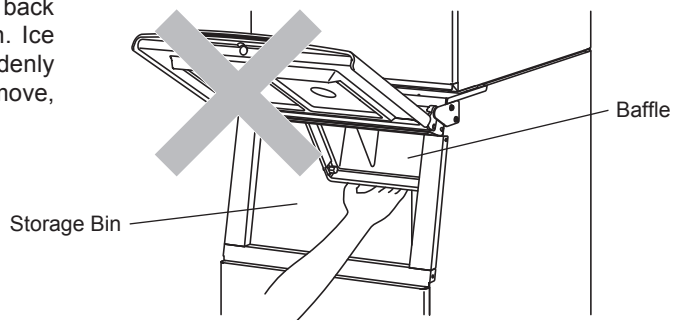
[Water-Cooled Model]



II. OPERATING INSTRUCTIONS

⚠ CAUTION

Do not step into the storage bin, or put your hands into the back of the storage bin or the baffle on top of the storage bin. Ice may drop off the icemaker, a hard block of ice may suddenly break down, or the icemaking mechanism may suddenly move, resulting in injury.



NOTICE

All parts are factory-adjusted. Improper adjustments may result in failure.

If the unit is turned off, wait for at least 3 minutes before restarting the icemaker to prevent damage to the compressor.

⚠ HYGIENE

This icemaker is designed to produce edible ice. To keep the icemaker hygienic:

- * Wash your hands before removing ice. Use the plastic scoop provided (bin accessory).
- * The storage bin is for ice use only. Do not store anything else in the bin nor use other electrical appliances in the bin.
- * Clean the storage bin before use (see "III. 1. CLEANING").
- * Keep the scoop clean. Clean it by using a neutral cleaner and rinse thoroughly.
- * Close the door after removing ice to prevent entrance of dirt, dust or insects into the storage bin.

1. START UP

The installer will normally commission the icemaker to start the automatic icemaking process. To ensure continuous operation, make sure that:

- * The water supply tap is on, and
- * The icemaker is connected to the power supply.

2. PREPARING THE ICEMAKER FOR LONG STORAGE

NOTICE

This icemaker will not work at subfreezing temperatures. To prevent damage to the water supply line, drain the icemaker when air temperature is below zero.

⚠ HYGIENE

When shutting down the icemaker for two or more days, drain the icemaker to prevent contamination in the water circuit.

- 1) Unplug the icemaker or disconnect the power supply.
- 2) Close the water supply tap, and remove the inlet hose.
- 3) Remove all ice from the storage bin, and clean the bin.
- 4) Ask for draining of the icemaker by professional qualified personnel.

III. MAINTENANCE

1. CLEANING

⚠ WARNING

Before carrying out any cleaning or maintenance operations, unplug the icemaker from the electrical supply network.

This appliance must not be cleaned by use of a water jet.

⚠ CAUTION

When using a neutral cleaner or sodium hypochlorite, thoroughly read and understand the instructions provided to prevent potential health problems.

NOTICE

Ask a trained service person to clean and sanitise the icemaker water system at least twice a year and to check and clean the condenser at least once a year.

To prevent possible damage, do not clean the plastic parts with water above 40°C or in a dishwasher.

[a] Machine and Bin Exterior

Wipe the exterior at least once per week with a clean, soft cloth. Use a damp cloth containing a neutral cleaner to wipe off grease or dirt.

[b] Scoop and Storage Bin Handle Cleaning/Sanitisation (Daily)

1) Either mix 1 litre of water with 4 ml of 5.25% sodium hypochlorite solution in a suitable container, or the recommended Hoshizaki sanitiser as directed.

2) Soak the scoop in the solution for more than 3 minutes. Rinse thoroughly, and shake to remove surplus liquid.

Note: Using a cloth to dry may re-contaminate.

3) Use a neutral cleaner to wash the storage bin handle. Rinse thoroughly.

4) Soak a clean cloth with the sanitising solution, and wipe the handle. Use fresh water and a clean cloth to rinse/dry.

[c] Storage Bin Interior Cleaning/Sanitisation (Weekly)

1) Open the storage bin door, and remove all ice.

Note: Hoshizaki recommends various types of storage bin for the icemaker which vary in size and design. The following instructions are therefore for general guidance only.

2) Remove the thumbscrews securing the baffle.

3) Remove the baffle from the bin.

4) Wash the bin liner and baffle with a neutral non-abrasive cleaner. Rinse thoroughly.

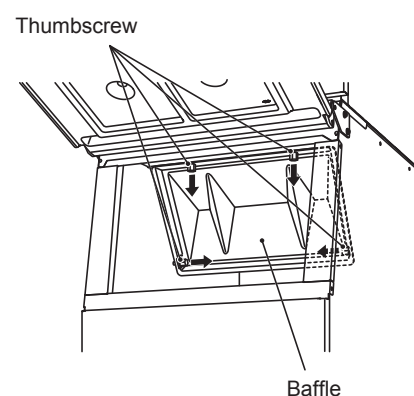
5) Either mix 5 litres of water with 18 ml of 5.25% sodium hypochlorite solution in a suitable container, or the recommended Hoshizaki sanitiser as directed.

6) Soak a clean sponge or cloth with the solution, and wipe the bin liner surfaces and baffle.

7) Refit the baffle and thumbscrews. Wipe the surface of the bin door and thumbscrews with the solution. Close the bin door.

8) The remaining solution can be used to sanitise utensils.

Note: Do not wipe dry or rinse after sanitising, but allow to air dry.

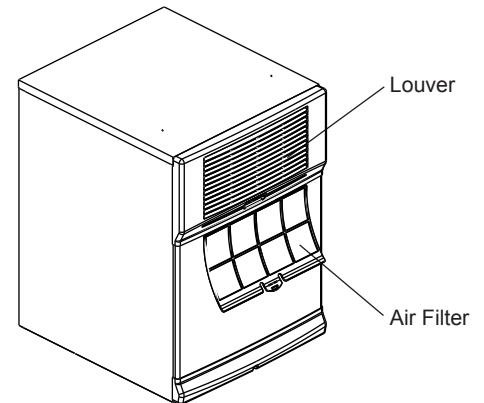


ENGLISH

[d] Air Filter

Plastic mesh air filters remove dirt or dust from the air, and keep the condenser from getting clogged. If the filters get clogged, the icemaker's performance will be reduced. Remove and clean the air filter(s) at least twice per month:

- 1) Slide the air filter off the louver.
- 2) Clean the air filter by using a vacuum cleaner. When severely clogged, use warm water and a neutral cleaner to wash the air filter.
- 3) Rinse and dry the air filter thoroughly.



NOTICE

After cleaning, be sure to place the air filter back in position.

2. BEFORE CALLING FOR SERVICE

⚠ WARNING

Do not damage the refrigerant circuit.

If the icemaker does not work properly or does not work at all, before calling for service, check that:

- * The power is supplied to the unit.
- * The water is turned on.
- * The air filter is clean.

For further assistance or advice, contact your local Hoshizaki service agent.

3. DISPOSAL

Comply with local regulations regarding disposal of this appliance and its refrigerant gas. Before you scrap the appliance, take off the door to prevent children trapped.

4. WARRANTY

Hoshizaki warrants to the original owner/user that all Hoshizaki branded products shall be free of defects in material and/or workmanship for the duration of the "warranty period". The warranty shall be effective for two years from the date of installation. Hoshizaki's liability under the terms of the warranty are limited and shall exclude routine servicing, cleaning, essential maintenance and/or repairs occasioned by misuse and installations not in accordance with Hoshizaki guidelines.

Warranty repairs should be completed by an approved Hoshizaki dealer or service agency using genuine Hoshizaki components.

To obtain full details of your warranty and approved service agency, please contact your dealer/supplier, or the nearest Hoshizaki Service office.

SPECIFICATIONS

Model	IM-220AA	IM-220AWA
Type	Air-cooled, cube ice	Water-cooled, cube ice
Power Supply	1 phase 220 - 240V 50Hz	1 phase 220 - 240V 50Hz
Electric Consumption	950W (ambient 32°C, water 21°C)	870W (ambient 32°C, water 21°C)
Ice Production per 24h	190kg (5mm) / 220kg (15mm) (ambient 10°C, water 10°C)	200kg (5mm) / 220kg (15mm) (ambient 10°C, water 10°C)
Dimensions	560mm(W) x 639mm(D) x 775mm(H)	560mm(W) x 639mm(D) x 775mm(H)
Refrigerant	R404A, 500g	R404A, 400g
Weight	Net: 69kg (Gross: 76kg)	Net: 69kg (Gross: 76kg)
Ambient Temp	1 - 40°C	1 - 40°C
Water Supply Temp	5 - 35°C	5 - 35°C
Water Supply Pressure	0.07 - 0.78 MPa (0.7 - 8 bar)	0.07 - 0.78 MPa (0.7 - 8 bar)
Voltage Range	Rated voltage \pm 6%	Rated voltage \pm 6%

联系人:

星崎冷热机械(上海)有限公司
上海市静安区天目西路128号
嘉里企业中心第一座501室 邮编: 200070
电话: +86 21 5228-8181
传真: +86 21 5228-0113



专用微信公众号

星崎香港有限公司
香港九龍觀塘巧明街95號世達中心17樓G室
电话: +852 2866-2108
传真: +852 2866-2109

Hoshizaki Singapore Pte Ltd
18 Boon Lay Way #07-142 Tradehub 21, Singapore 609966
Tel: +65 6225-2612
Fax: +65 6225-3219

Contact:

Hoshizaki Shanghai Co., Ltd.
Room 501, Tower 1, Kerry Enterprise Centre, 128 Tianmu Road West,
Jing'an District, Shanghai, China 200070
Tel: +86 21 5228-8181
Fax: +86 21 5228-0113

Hoshizaki Hong Kong Co., Limited
Unit G, 17/F, World Tech Center, No. 95 How Ming Street,
Kwun Tong, Kowloon, Hong Kong
Tel: +852 2866-2108
Fax: +852 2866-2109

Hoshizaki Singapore Pte Ltd
18 Boon Lay Way #07-142 Tradehub 21, Singapore 609966
Tel: +65 6225-2612
Fax: +65 6225-3219

生产商:

星崎电机(苏州)有限公司
江苏省苏州工业园区青丘街15号 邮编: 215126
电话: +86 512-62807850
传真: +86 512-62807860

Manufacturer:

HOSHIZAKI (SUZHOU) CO., LTD.
No. 15 Qingqiu Street, Suzhou Industrial Park, Suzhou 215126 China
Tel: +86 512-62807850
Fax: +86 512-62807860

HOSHIZAKI