

便携式 DVD 播放器

PET704

用户手册
User manual



PHILIPS



CLASS 1 LASER PRODUCT
Be responsible
Respect copyrights

说明书会随时修改, 恕不另行通知。商標及商標。飛利浦電子股份有限公司及其相應所有者所有。

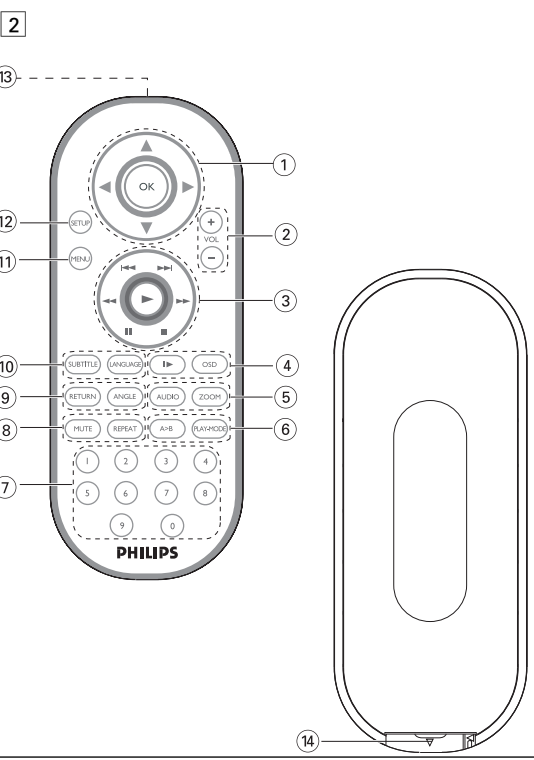
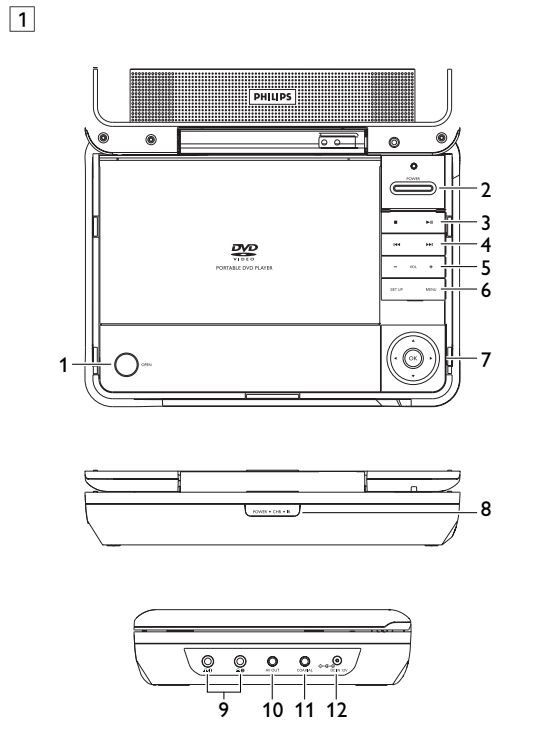
2007 © 飛利浦電子股份有限公司。版權所有。

飛利浦(中國)投資有限公司
上海天目西路 218 號公辦樓 22 樓
郵編 200070
企業標準代號: QJ20412 GBK/C143-2005

飛利浦服務熱線: 4008 600 008
http://www.philips.com

中國印刷

WK7101



處理廢旧产品

您的产品是由可以再生利用的优质材料和组件设计、制造而成的。如果某一件产品上贴有电子轮回收标志, 则表示该产品受 2002/96/EC 号《欧洲废物》的回收。

听力安全

聆听时音量要适中。耳音量高会损害您的听力。即使暴露在此音量下的时间不超过一分钟, 所产生的声音分贝强度可能会损害正常人的听力。

设置安全音量

首先将音量设置在一个低水平。然后慢慢提高, 一直调到您听起来舒服清晰, 而且完全没有失真的音量为止。

聆听时间要节制

长时间暴露在声音环境下, 即使是正常“安全”的音量, 也会损害听力。

请务必适度使用您的设备, 并适时暂停休息。使用耳机时必须遵守以下规范。

中文 功能概述. Table with 2 columns: 主要单元控制键, 功能概述.

播放器正面 (见图 1). Table with 2 columns: 按钮/指示灯, 说明.

POWER/CHG/IR ... 电源和充电显示灯 / 远程感应器.

功能概述. Table with 2 columns: 按钮/指示灯, 说明.

播放器右侧 (见图 1). Table with 2 columns: 按钮/指示灯, 说明.

注意: 不同于这里的控制键或调整程序可能会导致危险的辐射暴露或其他不安全操作。

遥控器 (见图 2). Table with 2 columns: 按钮/指示灯, 说明.

准备. Table with 2 columns: 步骤, 说明.

使用交流 / 直流适配器. Table with 2 columns: 步骤, 说明.

给您的遥控器提供能量. Table with 2 columns: 步骤, 说明.

基本功能. Table with 2 columns: 功能, 说明.

播放 DVD 光盘. Table with 2 columns: 步骤, 说明.

播放音频或视频 CD 光盘. Table with 2 columns: 步骤, 说明.

播放 DivX@ disc. Table with 2 columns: 步骤, 说明.

播放 MP3 光盘. Table with 2 columns: 步骤, 说明.

播放 JPEG 光盘. Table with 2 columns: 步骤, 说明.

特别的 DVD 特微. Table with 2 columns: 特微, 说明.

您的便携式 DVD 播放器. Table with 2 columns: 描述, 说明.

后封包装. Table with 2 columns: 物品, 说明.

准备. Table with 2 columns: 步骤, 说明.

准备. Table with 2 columns: 步骤, 说明.

准备. Table with 2 columns: 步骤, 说明.

准备. Table with 2 columns: 步骤, 说明.

基本功能. Table with 2 columns: 功能, 说明.

基本功能. Table with 2 columns: 功能, 说明.

基本功能. Table with 2 columns: 功能, 说明.

基本功能. Table with 2 columns: 功能, 说明.

基本功能. Table with 2 columns: 功能, 说明.

特别的 DVD 特微. Table with 2 columns: 特微, 说明.

可播放光盘格式. Table with 2 columns: 格式, 说明.

连接. Table with 2 columns: 接口, 说明.

连接. Table with 2 columns: 接口, 说明.

连接. Table with 2 columns: 接口, 说明.

连接. Table with 2 columns: 接口, 说明.

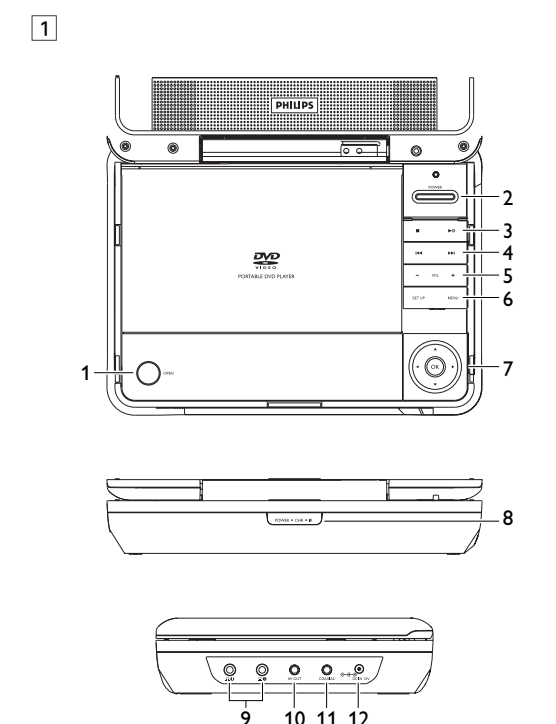
连接. Table with 2 columns: 接口, 说明.

连接. Table with 2 columns: 接口, 说明.

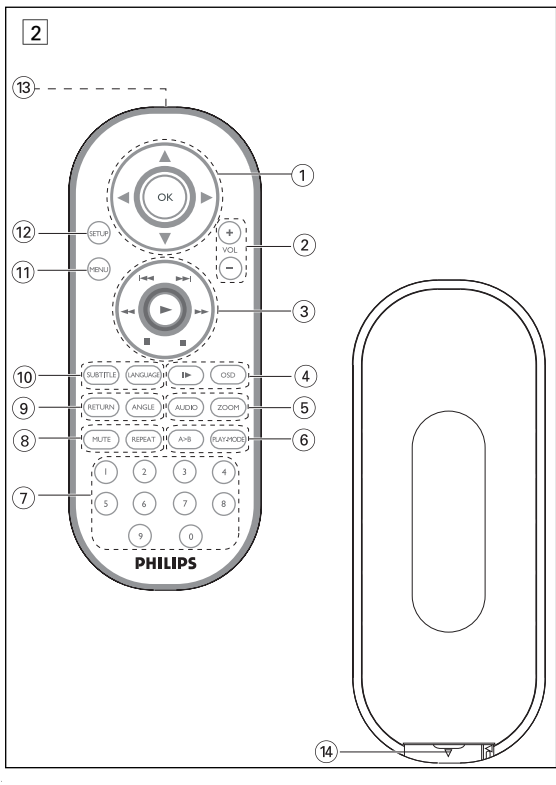
连接. Table with 2 columns: 接口, 说明.

连接. Table with 2 columns: 接口, 说明.

连接. Table with 2 columns: 接口, 说明.



English FUNCTIONAL OVERVIEW
Main unit controls (see figure 1)
1 OPEN... Open disc door to insert or remove disc
2 POWER... Switch the player on / off
3 ■... Press twice to stop playback
4 ■... Start/resume playback / Pause playback
5 T◀▶... Search backward (◀) or search forward (▶)
6 ▲▼... Volume control
7 SETUP... Enters SETUP menu
8 MENU... Display MENU page
9 ▲▼◀▶... Up / down / left / right cursor
10 OK... Confirm selection
Front of player (see figure 1)
8 POWER/CHG/IR... Power and charging indicator / Remote sensor



GENERAL INFORMATION
Power Sources
This unit operates on a supplied AC adaptor, car adaptor, or a rechargeable battery pack.
• Make sure that the input voltage of the AC adaptor is in line with the local voltage.
• Do not touch the AC adaptor with wet hands to prevent electric shock.
Safety and maintenance
• Do not disassemble the unit for laser rays are dangerous to eyes.
• Do not expose to excessive heat caused by heating equipment or direct sunlight.

GENERAL EXPLANATION
About this manual
This manual gives the basic instructions for operating this DVD player.
Remote control operation
• Unless otherwise stated, all operations can be carried out with the remote control.
Menu navigation
• Your player has an intuitive menu navigation system to guide you through various settings and operations.

BASIC FUNCTIONS
Switching on for OSD language setup
English is the default language of your player's on screen display.
Countries OSD Language Options
European English, French, German
American English, French, Spanish
Asia Pacific English, Traditional Chinese, Simplified Chinese
Loading discs and switching on
1 Press OPEN to open the disc door.
2 Insert your chosen disc, label side up (also when a double sided DVD disc is inserted).

FUNCTIONAL OVERVIEW
Right of player (see figure 1)
1 PHONE 1 & 2... Headphones jack
2 AV OUT... Audio/Video output jack
3 COAXIAL... Digital audio output jack
4 DC IN 12V... Power supply socket
5 VOL +... Power volume socket
CAUTION
Use of controls or adjustments or performance of procedures other than herein may result in hazardous radiation exposure or other unsafe operation.

GENERAL INFORMATION
Handling discs
• Do not attach paper or tape to the disc.
• Keep the disc away from direct sunlight or heat sources.
On handling the LCD screen
The LCD is manufactured using high precision technology.
Environmental information
We have reduced the packaging to its minimum and made it easy to separate into mono materials: cardboard, PS, PE and PET.
Copyright information
All other brand and product names are trademarks of their respective companies or organizations.

BASIC FUNCTIONS
Playing a DVD disc
After switching on, inserting the disc and closing the door, playback starts automatically.
Playing an audio or video CD disc
• After switching on, inserting the disc and closing the door, the screen shows the type of disc loaded as well as information about the disc's contents.
Playing DivX® disc
• Philips provide you the DivX® VOD (Video on Demand) registration code that allows you to rent and purchase videos using the DivX® VOD service.

REMOTE CONTROL
Remote controls (see figure 2)
1 Up / down / left / right cursor
2 Confirm selection
3 Volume control
4 For previous (◀) or next (▶) chapters, tracks or titles
5 Pause playback
6 Starts / resumes playback
7 Press twice to stop playback
8 Search backward (◀) or search forward (▶)
9 On Screen Display on / off
10 Slow motion
11 Audio language selector
12 Enlarges video image
13 Repeat or loop a sequence in a title
14 Selects play order options
15 Numeric keypad
16 Muting player volume
17 Repeats chapter / title / disc
18 For VCD menu page
19 Selects DVD camera angle
20 Subtitle language selector
21 Language selector
22 Displays MENU page
23 Enters SETUP menu
24 Infra Red port
25 BATTERY COMPARTMENT

PREPARATIONS
Power supply
Using the AC / DC adaptor
Connect the supplied adaptor to the set and the main power supply (as shown).
Using the car adaptor
Connect the supplied car adaptor to the set and the car cigarette lighter outlet.
Powering your remote control
1 Open the battery compartment.
2 Insert 1 x lithium 3V battery, type CR2025, then close the compartment.

BASIC FUNCTIONS
Playing a MP3-CD
The following playback features are available for MP3-CDs.
Playing a JPEG discs
Use the ▲▼◀▶ keys to highlight your selected picture folder.
Using the full display screen, this shows the rest of the JPEG files, one-by-one, located in the selected current folder.

INTRODUCTION
Your portable DVD player
Your portable DVD player plays digital video discs conforming to the universal DVD Video standard.
Unpacking
First check and identify the contents of your package, as listed below:
• Portable DVD player
• Car adaptor (12V)
• Rechargeable battery pack
• Warranty
• Travel bag
• Remote Control
• AC power adaptor
• User Manual
• Audio / Video cable
Placement
• Place the player on a firm, flat surface.
• Keep away from domestic heating equipment and direct sunlight.

PREPARATIONS
Attaching and charging the battery pack*
1 Switch off the set. Attach the battery pack as shown.
2 Connect the supplied adaptor to the set and the main power supply (as shown).
3 Turn the player upside down.
4 Press down the battery pack lock switch.
5 Slide off the battery pack as shown.

GENERAL FEATURES
Moving to another title / track / chapter
When a disc has more than one title or track, you can move to another title/track/chapter as follows:
• Press ▶ briefly during play to select the next title / track / chapter.
• Press ◀ briefly during play to step back to the previous title/track/chapter.
Still picture and step frame
Press II once or more for the following still picture and step frame options:
II x 1 Pause / Still picture
II x 2 screen shows II
During the icon II is displayed, press II repeatedly to play frame by frame.

INTRODUCTION
Playable disc formats
In addition to DVD-Video disc, you will also be able to play all Video CDs and audio CDs (including CDR, CDRW, DVD-R and DVD-RW).
DVD-Video
Depending on the material on the disc (a movie, video clips, a drama series, etc.) these discs may have one or more Titles, and each Title may have one or more Chapters.
Video CD
Depending on the material on the disc (a movie, video clips, a drama series, etc.) these discs may have one or more Tracks, and tracks may have one or more indexes, as indicated on the disc case.
Audio CD / MP3 CD
Audio CDs / MP3 CD contain music tracks only. You can play them in the conventional way through a stereo system using the keys on the remote control and/or main unit, or via the TV using the On Screen Display (OSD).

PREPARATIONS
Connections
Connecting headphones
Connect the headphones into the PHONE 1 or the PHONE 2 jack of your set.
Connecting additional equipment
• Turn off your set before connecting to any additional equipment.
• You can connect the player to a TV or an amplifier to enjoy DVDs or karaoke.
AV OUT
On the DVD player panel, press AV IN/OUT to select A/V OUT.
Digital Audio Out
• You can also make use of the COAXIAL jack for digital audio output.
• Please refer to the user manuals of your additional equipment for more information about connection.

GENERAL FEATURES
Slow motion
Press ▶ once or more for the following slow play options:
x 1 1/2 x 5* 1/2 x backward
x 2 1/4 x 6* 1/4 x backward
x 3 1/8 x 7* 1/8 x backward
x 4 1/16 x 8* 1/16 x backward
Press OK or ▶ to resume normal playback.
Changing the audio output
Press AUDIO repeatedly for the following audio options.
x 1 Mono left x 2 Mono right
x 3 Mixed mono x 4 Stereo
ZOOM
The Zoom function allows you to enlarge the video image and to pan through the enlarged image. Press ZOOM repeatedly to select the following zooming options.

GENERAL FEATURES
MUTE
Press MUTE once to mute player volume. Press MUTE again to disable.
REPEAT
Press REPEAT repeatedly for the following repeat options:
DVD actions VCD actions
x 1 repeats chapter repeats track
x 2 repeats title repeats all
x 3 repeats all cancels repeat
x 4 cancels repeat
Repeat A > B
To repeat or loop a sequence in a title:
• Press A > B at your chosen starting point; A appears on the screen.
• Press A > B again at your chosen end point; AB appears on the screen, and the repeat sequence begins.
• To exit the sequence, press A > B.

GENERAL FEATURES
Play modes
Press PLAY-MODE repeatedly for the following play order options:
x 1 Shuffle x 2 Random x 3 Program
Use (0-9) and OK to key in specific settings.
Volume Control
• Press + / - to increase or decrease playback volume in the Remote Control or
• Press ▲▼ to increase or decrease playback volume in the Remote Control or

SPECIAL DVD FEATURES
Checking the contents of DVD-Video discs: Menus
For titles and chapters, selection menus may be included on the disc.
Disc menu
Press MENU. The menu may list, for example, camera angles, spoken language and subtitle options, and titles for the title.
Camera angle
If the disc contains sequences recorded from different camera angles, the angle icon appears, showing the number of available angles, and the angle being shown.
Changing the language
Press LANGUAGE. If the current disc has different language options, this now appears on the screen.
Subtitles
Press SUBTITLES. If the current disc has different subtitles options, this now appears on the screen.

OSD OPERATIONS
In addition to using remote control keys, you can also change disc playback options from OSD.
1 Press OSD during disc playback. A list of features is shown.
2 Use the ▲▼ keys to highlight your selection.
When the cursor highlights these settings, press OK to:
FILE key in desired file number
CHAPTER key in desired chapter number
AUDIO select audio options
SUBTITLE select subtitle options
ANGLE select camera angle options
FILE TIME key in starting point for file play time
TT TIME key in starting point for title play time
CH TIME key in starting point for chapter play time
REPEAT select repeat options
TIME DISP. select time display options
3 Use (0-9) to key in specific settings.
4 Press ◀ to abort current setting or go back to previous menu level.
5 Press OSD to exit.

SETUP OPERATIONS
To maximize your playback experience, use SETUP to fine tune your settings. Use the ▲▼◀▶ keys to highlight your selection, and press OK.
1 Press SETUP. A list of features is shown.
2 Use the ▲▼ keys to highlight your selection.
When the cursor highlights these settings, press OK to:
GENERAL SETUP select display and other options
AUDIO SETUP select audio options
PREFERENCES select playback preferences
PASSWORD SETUP select password options
3 Press ◀ to abort current setting or go back to previous menu level.
4 Press SETUP to exit.
General Setup
When the cursor highlights these settings, press OK to:
TV DISPLAY select display ratio
TV TYPE select video standard of external TV set
OSD LANG select on screen display language
SPDIF select digital audio options
CAPTIONS select captions options
SCREEN SAVER select screen saver options
Press ◀ to abort current setting or go back to previous menu level

SETUP OPERATIONS
Audio Setup
When the cursor highlights these settings, press OK to:
SPEAKER SETUP select speaker options
DOLBY DIGITAL SETUP select dolby sound options
CHANNEL EQUALIZER select equalizer options
3D PROCESSING select surround sound options
Press ◀ to abort current setting or go back to previous menu level
Preferences
When the cursor highlights these settings, press OK to:
AUDIO select audio language options
SUBTITLE select subtitle language options
DISC MENU select disc menu language options
PARENTAL select parental options
DivX® VOD get DivX® ID for VOD
POWER SAVING activate power saving mode when using battery playback
DEFAULT Restore factory settings
Press ◀ to abort current setting or go back to previous menu level
Note: Parental options are only selectable when password mode is deactivated.
Password Setup
When the cursor highlights these settings, press OK to:
PW MODE switch password on / off
PASSWORD change existing password (default: 99999)
Press ◀ to abort current setting or go back to previous menu level

TROUBLESHOOTING
If it appears that the DVD-Video player is faulty, first consult this checklist. It may be that something has been overlooked.
WARNING
Under no circumstances should you try to repair the set yourself as this will invalidate the guarantee.
Symptom Remedy
No power
- Check if both plugs of the mains cord are properly connected.
- Check if there is power at the AC outlet by plugging in another appliance.
- Check if car adaptor is inserted appropriately.
- Check if car adaptor is connected appropriately.
Distorted picture
- Check the disc for fingerprints and clean with a soft cloth, wiping from centre to edge.
- Sometimes a small amount of picture distortion may appear. This is not a malfunction.
Completely distorted picture / no colour in the TV screen
- The NTSC/PAL setting may be in the wrong status. Match your TV's setting with the player's setting.
No sound
- Check audio connections. If using a HiFi amplifier, try another sound source.

TROUBLESHOOTING
Symptom Remedy
Disc can't be played
- Ensure the disc label is upwards.
- Clean the disc.
- Check if the disc is defective by trying another disc.
The player does not respond to the remote control
- Aim the remote control directly at the sensor on the front of the player. Avoid all obstacles that may interfere with the signal path. Inspect or replace the batteries.
Distorted or B/W picture with DVD
- Use only discs formatted according to the TV-set used (PAL/NTSC).
No audio at digital output
- Check the digital connections.
- Check the SETUP menu to make sure that the digital output is set to on.
Player does not respond to all operating commands during playback
- Operations are not permitted by the disc.
- Refer to the instructions in the disc inlay.
Player feels warm
- When the player is in use for a long period of time, the surface will be heated. This is normal.
Display goes dimmer when AC is unplugged
- The unit is saving power to ensure longer playtime with battery. It is normal. Adjust the brightness using MONITOR function.

TECHNICAL DATA
Dimensions 20.3 x 15.0 x 4.1 cm
8 x 5.9 x 1.6 inches
Weight 0.71 kg / 1.42 lb
DC 12V 1.5A
Power supply
Operating temperature range 0 - 50°C (32 - 122°F)
Laser wavelength 650nm
Video system NTSC / PAL / AUTO
Frequency response 20Hz - 20KHz ± 1dB
Signal/noise ratio ≥ 80dB
Audio distortion + noise ≤ -80(1KHz)
Channel separation ≥ 75dB
Output
Audio out (analog audio) Output level: 2V
Load impedance: 10KΩ
Video out Output level: 1Vp - p ± 20%
Load impedance: 75Ω
PHILIPS reserves the right to make design and specification changes for product improvement without prior notice.
Modifications not authorized by the manufacturer may void users authority to operate this device.
All rights reserved.

DISPOSAL OF YOUR OLD PRODUCT
Your product is designed and manufactured with high quality materials and components, which can be recycled and reused.
When this crossed-out wheeled bin symbol is attached to a product it means the product is covered by the European Directive 2002/96/EC. Please inform yourself about the local separate collection system for electrical and electronic products.
Hearing Safety
Listen at a moderate volume:
• Using headphones at a high volume can impair your hearing. This product can produce sounds in decibel ranges that may cause hearing loss for a normal person, even for exposure less than a minute.
• The higher decibel ranges are offered for those that may have already experienced some hearing loss.
• Sound can be deceiving. Over time your hearing "comfort level" adapts to higher volumes of sound. So after prolonged listening, what sounds "normal" can actually be loud and harmful to your hearing. To guard against this, set your volume to a safe level before your hearing adapts and leave it there.
• Do not turn up the volume so high that you can't hear what's around you.
• You should use caution or temporarily discontinue use in potentially hazardous situations.
• Do not use headphones while operating a motorized vehicle, cycling, skateboarding, etc.; it may create a traffic hazard and is illegal in many areas.

Environmental Protection Use Period
This logo refers to the period (10 years) during which the toxic or hazardous substances or elements contained in electronic information products will not leak or mutate so that the use of these [substances or elements] will not result in any severe environmental pollution, any bodily injury or damage to any assets.

Table with 7 columns: Part Name, Pb (Lead), Hg (Mercury), Cd (Cadmium), Cr (Chromium), PBB (Polybrominated Biphenyls), PBDE (Polybrominated Diphenyl Ethers). Rows include Housing, PWBs, Accessories, Batteries, etc.