

# SPA3350

使用说明书 中文

Instructions for use English



# PHILIPS



www.philips.com/welcome  
Data subject to change without notice  
Printed in China



## Warranty card

## 质保书

1 year warranty

一年质保

Type:  SPA3350/93

Serial nr:  
\_\_\_\_\_

Date of Purchase

购买日期

Dealer's name, address and signature 销售商名称, 地址及签字

\_\_\_\_\_  
\_\_\_\_\_  
\_\_\_\_\_

[www.philips.com/welcome](http://www.philips.com/welcome)

This document is printed on chlorine free produced paper.  
Data subject to change without notice

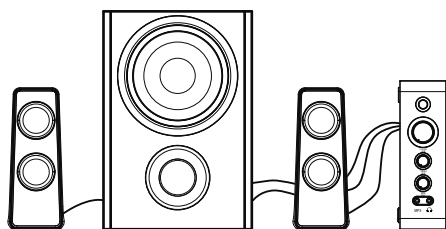
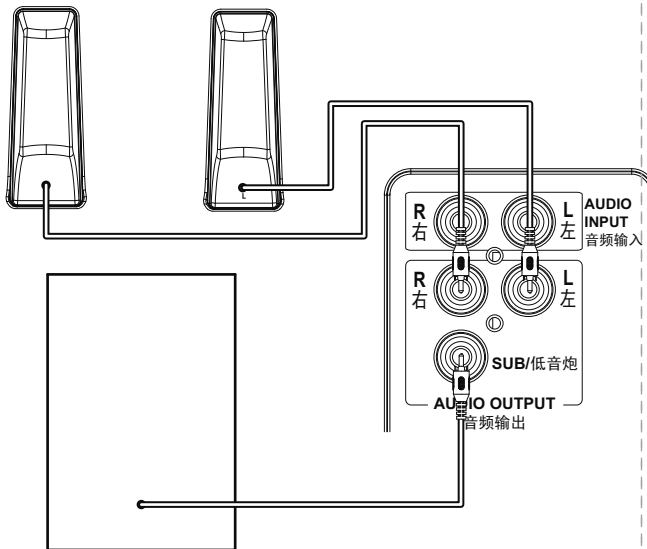
For China only  
只限中国地区

Printed in China  
Ver. 0903

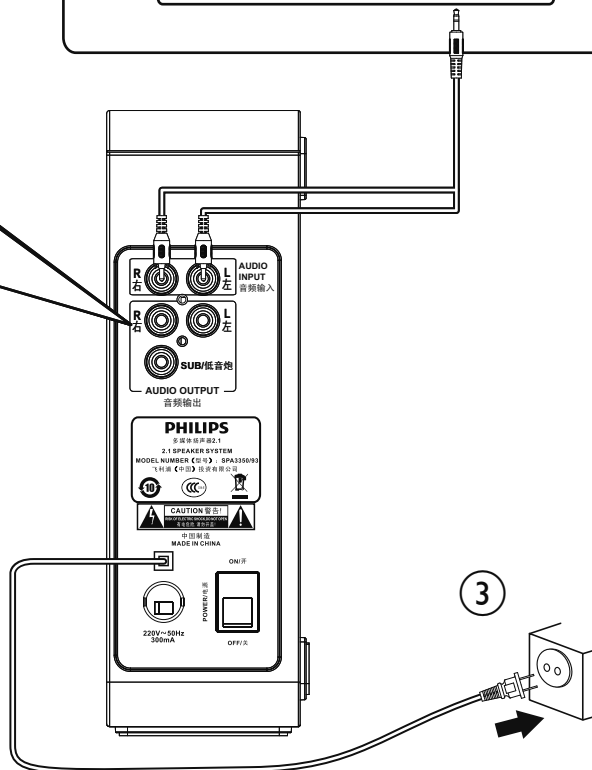
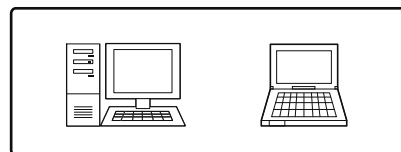


- 切勿将产品暴露在滴漏或溅漏环境下,也不能在产品上面放置装有液体的物体(如花瓶)。
- 要完全断开电源输入,应从电源上拔下产品的电源插头。
- 产品的电源插头应触手可及,或在需要使用时应能轻易获取。
- 耳机插孔的最大输出电压等于或者小于150mV。
- The product shall not be exposed to dripping or splashing and that no objects filled with liquids, such as vases, shall be placed on the product.
- To completely disconnect the power input, diconnect the mains plug of the product from the mains socket.
- The mains plug of the product should not be obstructed OR should be easily accessed during intended use.
- The maximum output voltage of headphone jack is equal or less than 150mV.

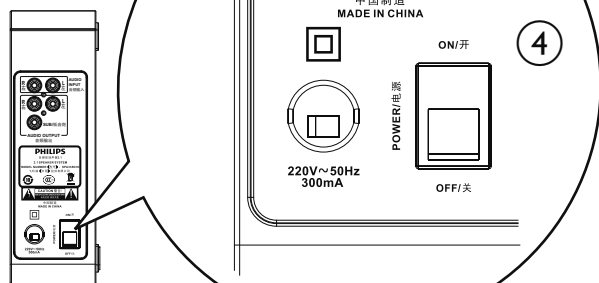
1



2

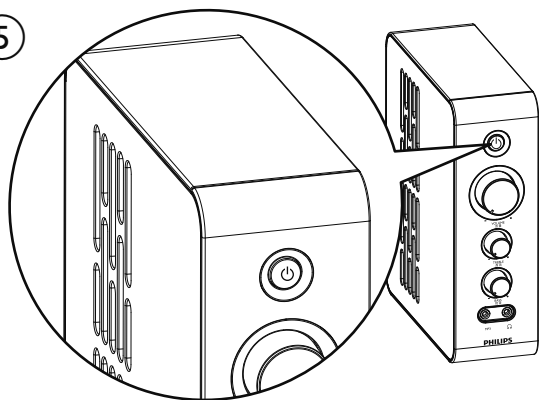


3



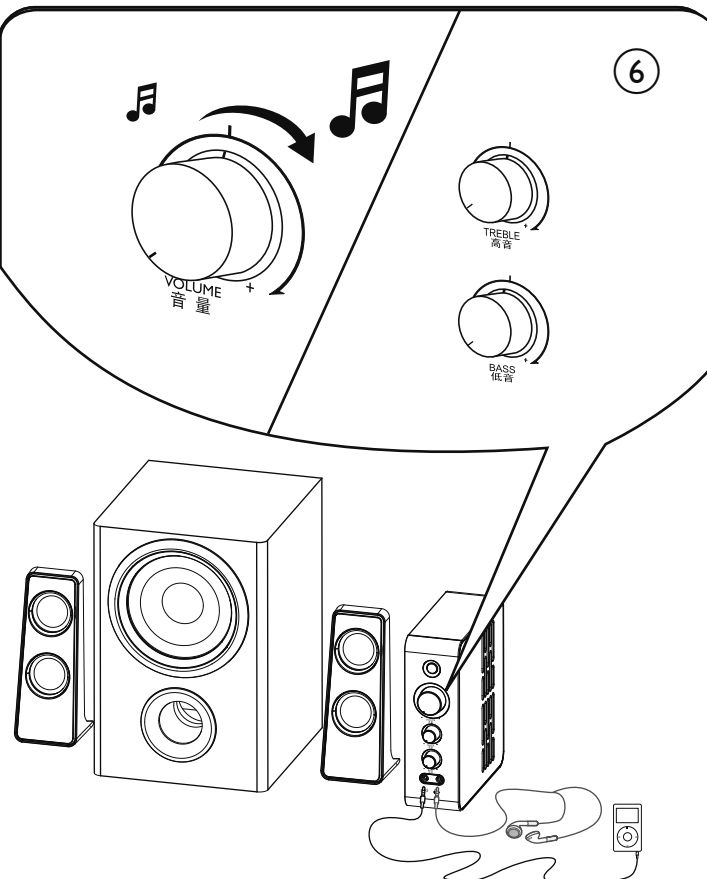
4

5



按下节能开关后，指示灯亮起。

6



将 MP3 音源线连接至 MP3 端口。如果您希望享受来自音频输入端口的音源，请拔掉 MP3 音源线。

注意：

- MP3 音源优先于电脑音源。
- 不提供 MP3 音源线。