

Mini300 CDM-TD70W/150W/CDM-T250W

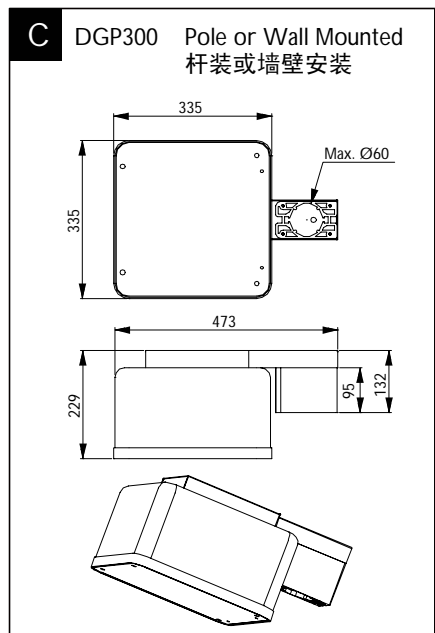
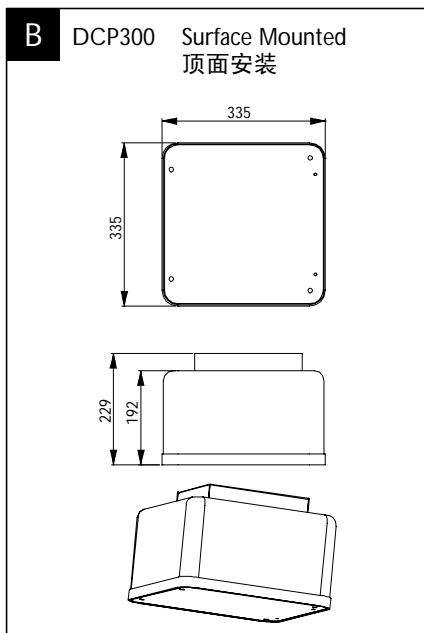
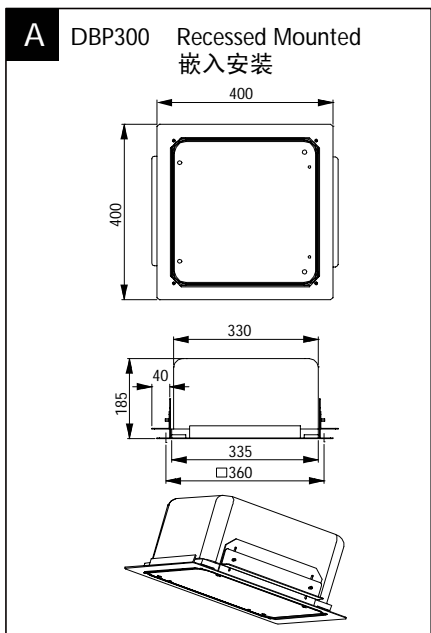
DBP/DCP/DGP300 Range

Mounting instruction 安装说明

4441 000 64961a



Product Name		Reflector	Cover	V/Hz	Gear			IP..			
DBP300	CDM-TD70W	S-WB S-WB-BD A-WB	FG	220V/50Hz 230V/50Hz 240V/50Hz	IC	7.25	Class I	Optical 光源腔 IP65 Luminaire 整灯 IP20			
	CDM-TD150W	S-WB S-WB-BD A-WB	FG	220V/50Hz 230V/50Hz 240V/50Hz	IC	8					
DCP300	CDM-TD70W	S-WB S-WB-BD A-WB	FG	220V/50Hz 230V/50Hz 240V/50Hz	IC	7.25				Optical 光源腔 IP65 Luminaire 整灯 IP43	
	CDM-TD150W	S-WB S-WB-BD A-WB	FG	220V/50Hz 230V/50Hz 240V/50Hz	IC	8					
	CDM-T250W	S-WB S-WB-BD	FG	220V/50Hz 230V-240V/50Hz	IC	8.86					
DGP300	CDM-TD70W	A-WB A-MB A-NB	FG	220V/50Hz 230V/50Hz 240V/50Hz	IC	7.25				Optical 光源腔 IP65 Luminaire 整灯 IP43	
	CDM-TD150W	A-WB A-MB A-NB	FG	220V/50Hz 230V/50Hz 240V/50Hz	IC	8					
	CDM-T250W	A-MB A-NB	FG	220V/50Hz 230V-240V/50Hz	IC	9.1					

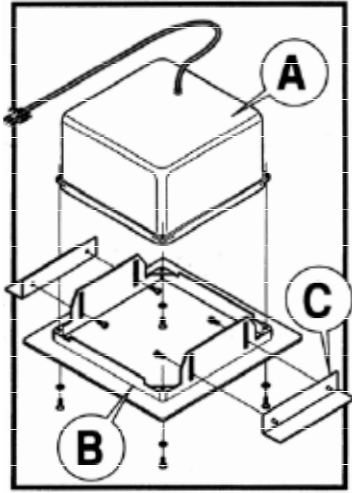


Philips Lighting Luminaires (Shanghai) Co., Ltd.
Address: No. 2688, Huyi Road, Jiading, Shanghai, China
Postalcode: 201801

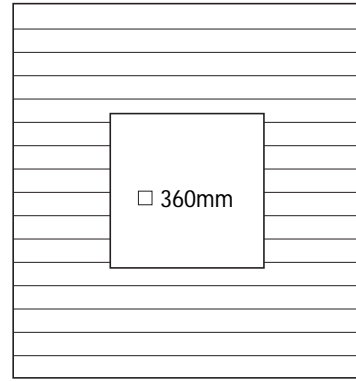
飞利浦灯具(上海)有限公司
地址: 中国上海市嘉定区马陆镇沪宜公路2688号
邮编: 201801

PHILIPS

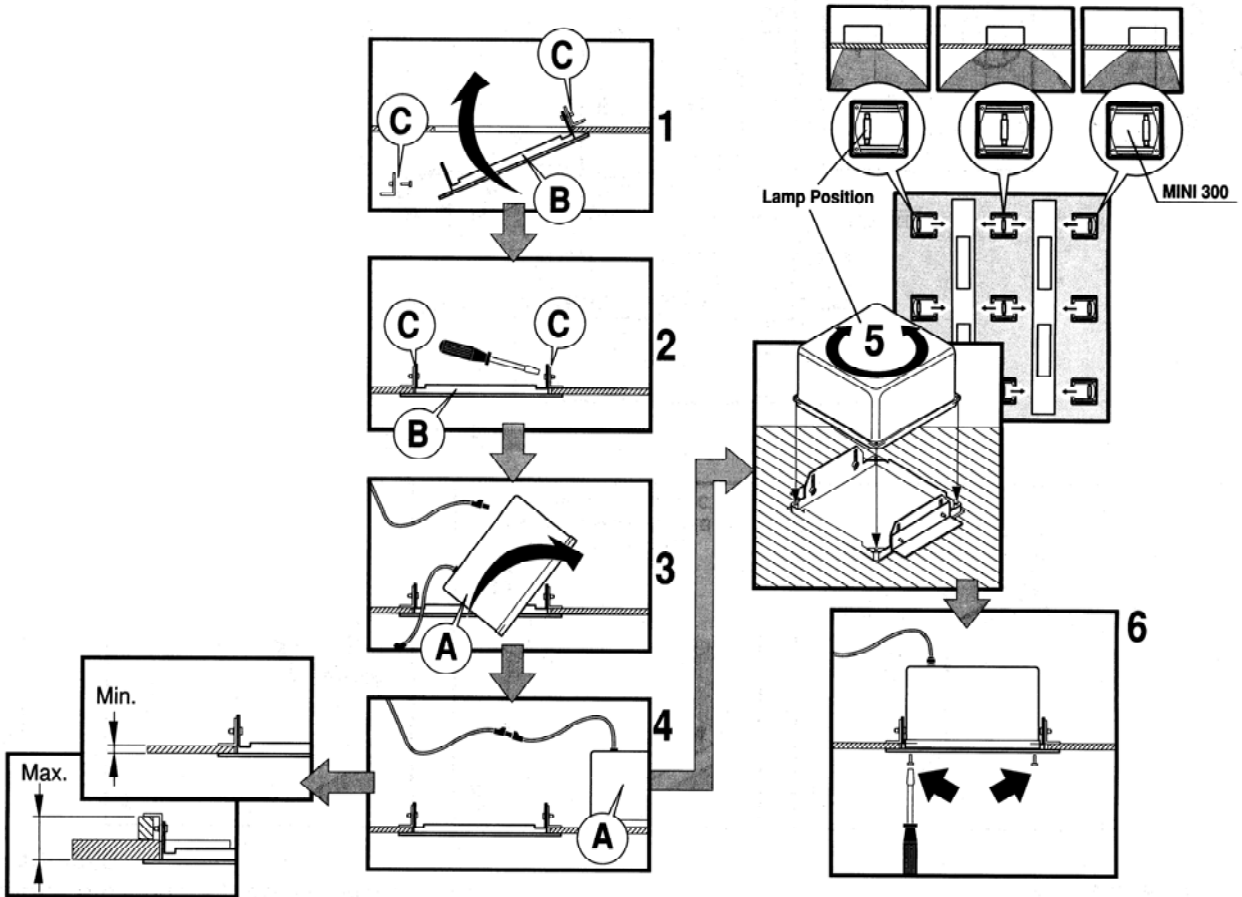
1 DBP300 Recessed Mounted
嵌入安装



2 Ceiling Cutout
安装挖切尺寸

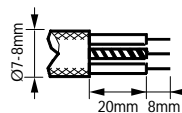


3 When Luminaires recessed, the Luminaire shall be, under no circumstances, be covered with insulating matting or similar material.
嵌入安装时, 灯具不能被隔热衬垫或类似材料覆盖。



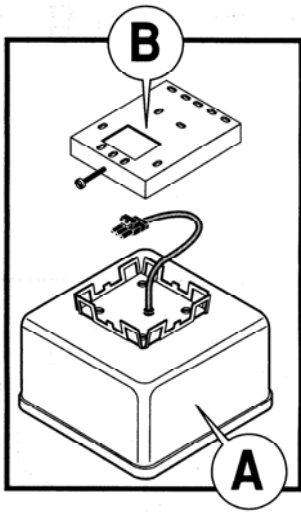
4 Please move and connect to 230V position from 240V position when operating voltage using 230V.
当工作电压为230V时, 请从240V位置移动并连接到230V位置。

60245 IEC57
3 pole 1.5mm² Multi-core with rubber insulated layer
1.5mm²三芯橡胶护套软线



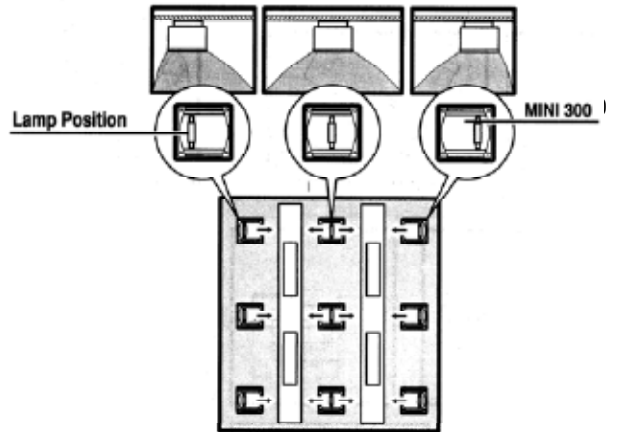
1

DCP300 Surface Mounted
顶面安装

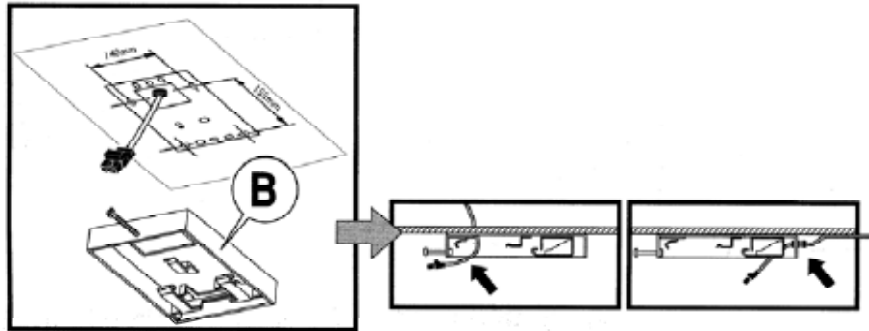


2

Ceiling Cutout
安装挖切尺寸

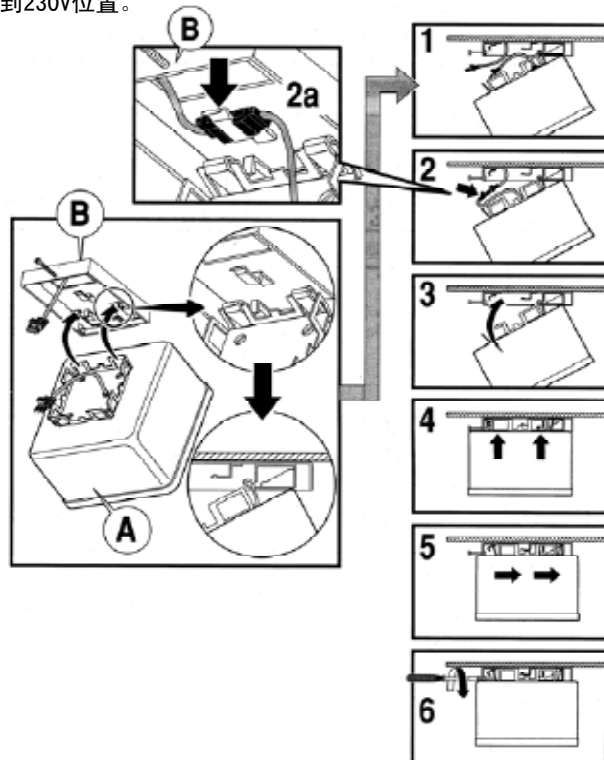


3

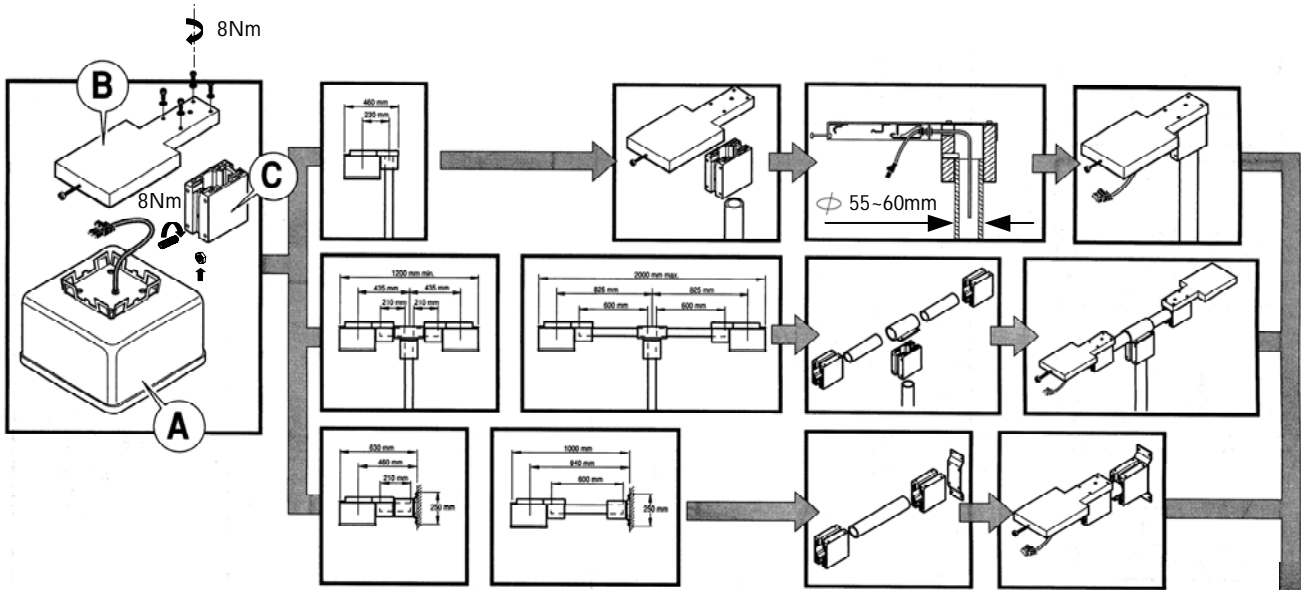


4

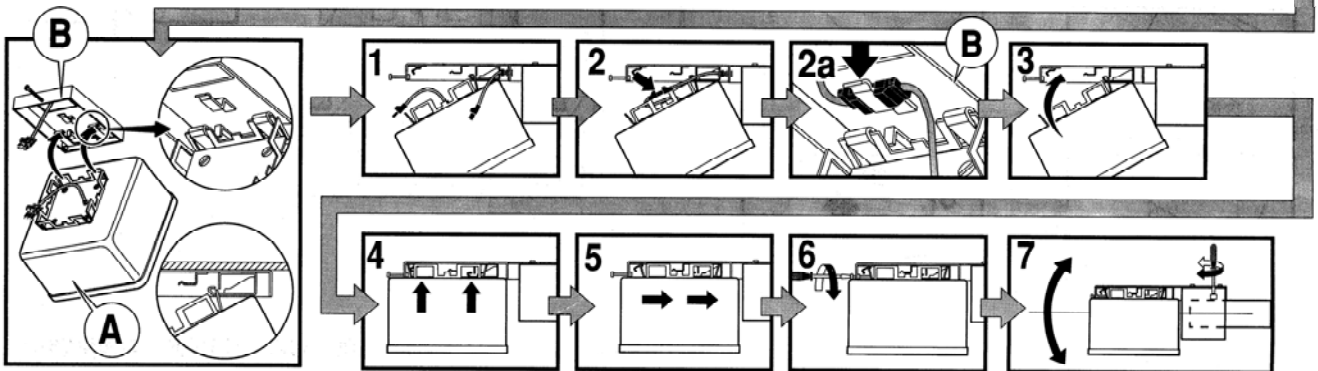
Please move and connect to 230V position from 240V position when operating voltage using 230V.
当工作电压为230V时，请从240V位置移动并连接到230V位置。



1 DGP300 Pole or Wall Mounted
杆装或墙壁安装



2 Please move and connect to 230V position from 240V position when operating voltage using 230V.
当工作电压为230V时，请从240V位置移动并连接到230V位置。



60245 IEC57
3 pole 1.5mm² Multi-core with rubber insulated layer
1.5mm² 三芯橡胶护套软线

