

GAMA KARE / KARE GENERATION / GÉNÉRATION KARE

LAVADORAS DE CENTRIFUGADO ALTO / HIGH SPIN WASHER EXTRACTORS / LAVE-LINGE DE ESSORAGE FORT



LA-11 TP2 (A-11)
LA-14 TP2 (A-14)
LA-18 TP2 (A-18)
LA-25 TP2 (A-25)
LA-35 TP2 (A-35)

CREADO / CREATED / CRÉATION: 01-2019
REVISADO / REVISED / RÉVISÉ: 02-2021

CONTENIDO / CONTENTS / SOMMAIRE

A	PUERTA Y ADHESIVOS / DOOR AND ADHESIVES / PORTE ET ADHÉSIFS	1
B	MUEBLE / UNIT / MEUBLE	3
C	ARMAZÓN / FRAME / ARMATURE	8
D	TAMBOR / DRUM / TAMBOUR	10
E	SOPORTE RODAMIENTOS / BEARING SUPPORT / SUP. DE ROULEMENTS	14
F	CONJ. HIDRÁULICO / HYDRAULIC ASSEMBLY / ENSEMBLE HYDRAULIQUE	20
G	CUADRO ELECTRICO / ELECTRIC BOARD / TABLEAU ÉLECTRIQUE (11-14-18-25)	23
H	CUADRO ELECTRICO / ELECTRIC BOARD / TABLEAU ÉLECTRIQUE (35)	26
I	MONEDERO / COIN SLOT / PORTA-MONNAIE	29
J	PLANO DE MONTAJE / INSTALLATION DRAWING / PLAN DE MONTAGE	31
	REPUESTOS RECOMENDADOS / RECOMMENDED SPARE PARTS / PIÈCE DE RECHANGE RECOMMANDÉ	33
K	ESQUEMA ELÉCTRICO / WIRING DIAGRAM / SCHÉMA ÉLECTRIQUE	36

MENSAJE DE ADVERTENCIA / WARNING MESSAGE / MESSAGE D'AVERTISSEMENT

Los dibujos representados en este documento son orientativos y pueden no reproducir con exactitud las piezas en cuestión. Los aparatos están sujetos a modificaciones sin previo aviso. Asegúrese de consultar la última versión del despiece técnico y de pedir las piezas compatibles con su modelo según la fecha de fabricación.

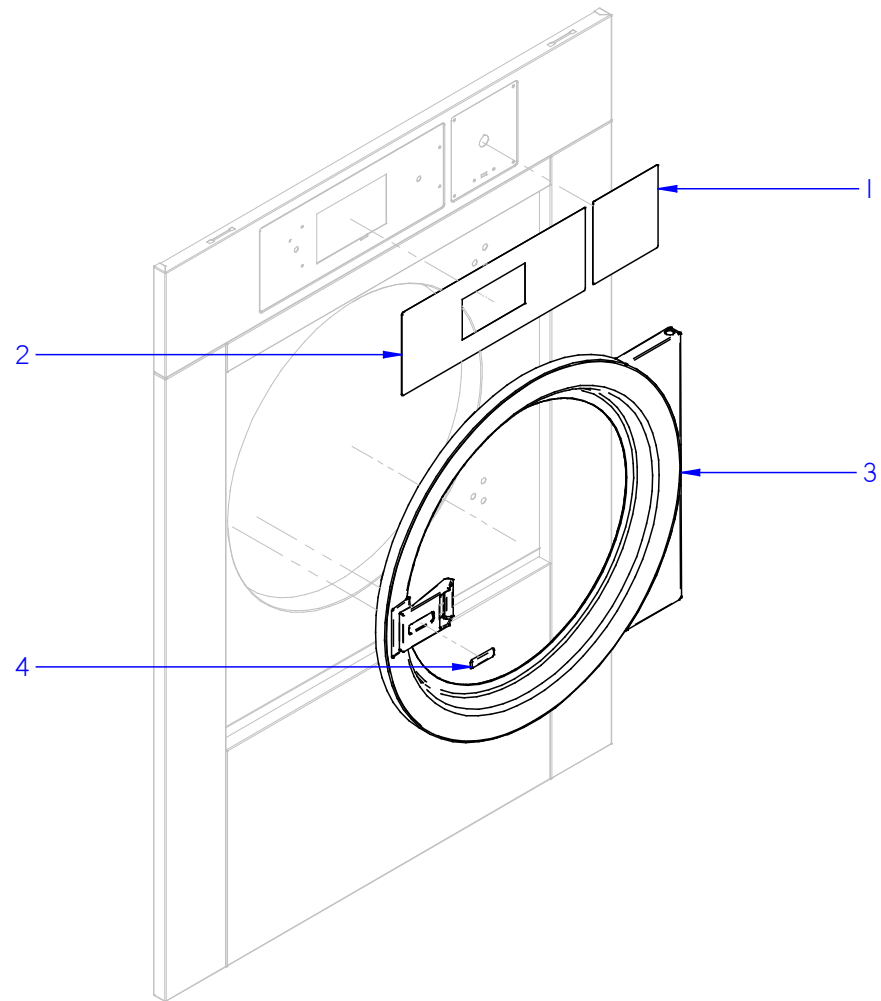
IMPORTANTE: Repuestos recomendados marcados en color amarillo en las listas de repuestos que acompañan a cada una de las láminas.

The drawings shown in this document are for guidance and might not represent the parts accurately. The machinery is subject to change without prior notice. Please, ensure that this is the most recent revision of the spare parts manual, and that you are ordering suitable parts for your model considering its date of manufacture.

NOTE: The recommended spare parts are marked in yellow on the spare parts lists that come along with each drawing.

The drawings shown in this document are for guidance and might not represent the parts accurately. The machinery is subject to change without prior notice. Please, ensure that this is the most recent revision of the spare parts manual, and that you are ordering suitable parts for your model considering its date of manufacture.

PRÉAVIS: Les pièces de rechange recommandées sont indiquées en jaune sur les listes de pièces de rechange fournies avec chaque plan.



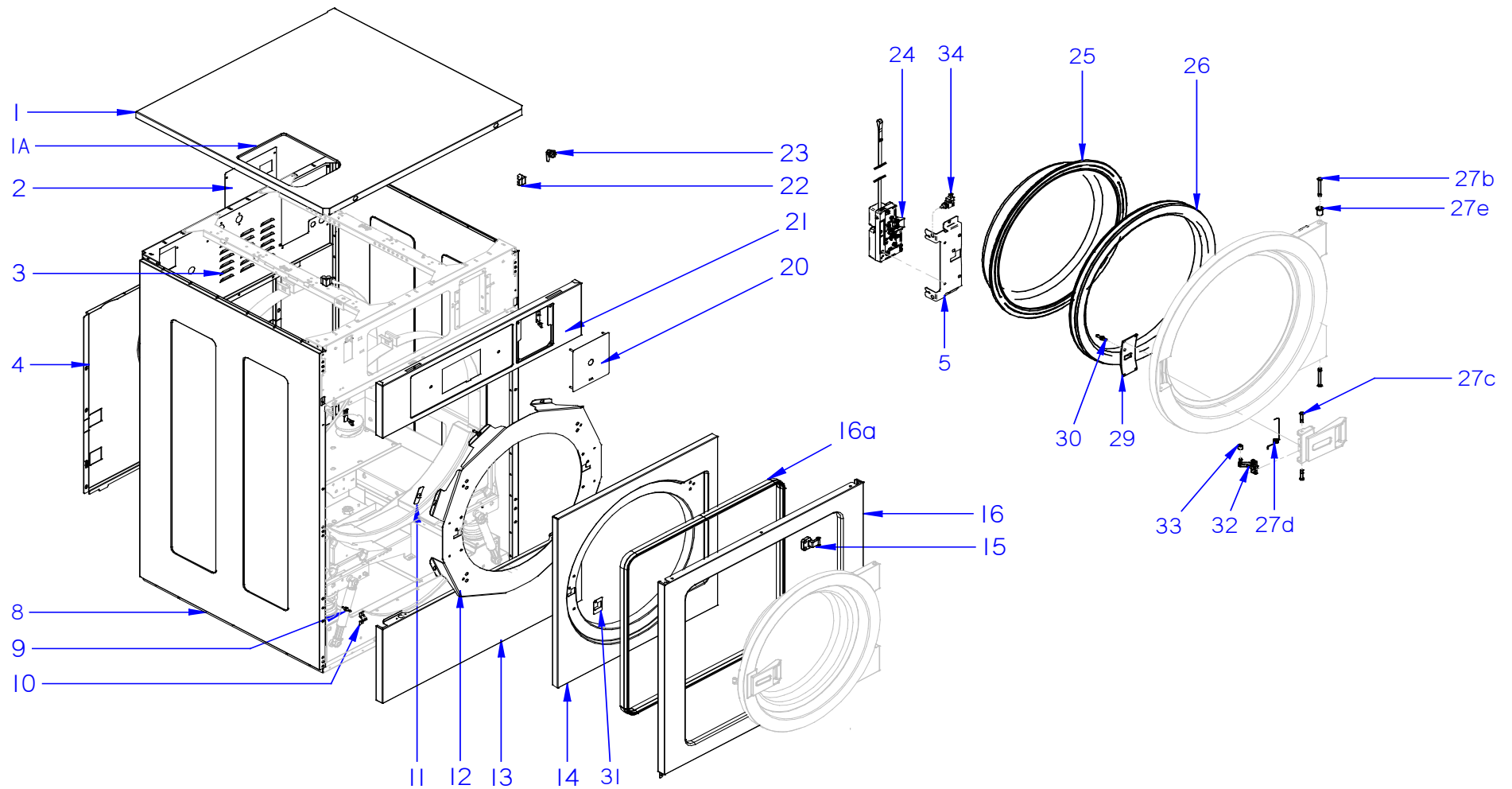


LÁMINA B / B DRAWING / PLAN B

ITEM	REF.	DENOMINACIÓN	DENOMINATION	DÉNOMINATION	A-11	A-14	A-18	A-25	A-35	HASTA / UNTIL / JUSQU'À	DESDE / FROM / DEPUIS	OBSERVACIONES / NOTES / OBSERVATIONS
1	12216015	ENCIMERA SKINPLATE	SKINPLATE WORKTOP	COMPTOIR SKINPLATE	1	-	-	-	-			
1	12216009	ENCIMERA SKINPLATE	SKINPLATE WORKTOP	COMPTOIR SKINPLATE	-	1	-	-	-			
1	12216078	ENCIMERA SKINPLATE	SKINPLATE WORKTOP	COMPTOIR SKINPLATE	-	-	1	-	-			
1	12215859	ENCIMERA SKINPLATE	SKINPLATE WORKTOP	COMPTOIR SKINPLATE	-	-	-	1	-			
1	12215890	ENCIMERA SKINPLATE	SKINPLATE WORKTOP	COMPTOIR SKINPLATE	-	-	-	-	1			
1	12120624	ENCIMERA INOX	STAINLESS WORKTOP	COMPTOIR INOXYDABLE	1	-	-	-	-			
1	12114394	ENCIMERA INOX	STAINLESS WORKTOP	COMPTOIR INOXYDABLE	-	1	-	-	-			
1	12121305	ENCIMERA INOX	STAINLESS WORKTOP	COMPTOIR INOXYDABLE	-	-	1	-	-			
1	12125412	ENCIMERA INOX	STAINLESS WORKTOP	COMPTOIR INOXYDABLE	-	-	-	1	-			
1	12111682	ENCIMERA INOX	STAINLESS WORKTOP	COMPTOIR INOXYDABLE	-	-	-	-	1			
1A	12275460	MARCO JABONERA	DETERGENT BOX FRAME	CADRE PORTE-SAVON	1	1	1	1	1			
2	12119916	TAPA CUADRO ELECTRICO	ELECTRIC BOARD COVER	COUVERCLE DE TABLEAU ÉLECTR	1	-	-	-	-			
2	12119402	TAPA CUADRO ELECTRICO	ELECTRIC BOARD COVER	COUVERCLE DE TABLEAU ÉLECTR	-	1	1	1	1			
3	12161465	SOPORTE ELECTROVALVULAS	SOLENOID VALVE SUPPORT	ÉLECTROVANNE ÉQUERRE	1	-	-	-	-			
3	12165413	SOPORTE ELECTROVALVULAS	SOLENOID VALVE SUPPORT	ÉLECTROVANNE ÉQUERRE	-	1	-	-	-			
3	12165417	SOPORTE ELECTROVALVULAS	SOLENOID VALVE SUPPORT	ÉLECTROVANNE ÉQUERRE	-	-	1	-	-			
3	12165440	SOPORTE ELECTROVALVULAS	SOLENOID VALVE SUPPORT	ÉLECTROVANNE ÉQUERRE	-	-	-	1	-			
3	12165474	SOPORTE ELECTROVALVULAS	SOLENOID VALVE SUPPORT	ÉLECTROVANNE ÉQUERRE	-	-	-	-	1			
4	12160509	PANEL POSTERIOR	REAR PANEL	PANNEAU POSTÉRIEUR	1	-	-	-	-			
4	12001239	PANEL POSTERIOR	REAR PANEL	PANNEAU POSTÉRIEUR	-	1	-	-	-			
4	12001211	PANEL POSTERIOR	REAR PANEL	PANNEAU POSTÉRIEUR	-	-	1	-	-			
4	12001154	PANEL POSTERIOR	REAR PANEL	PANNEAU POSTÉRIEUR	-	-	-	1	-			
4	12111421	PANEL POSTERIOR	REAR PANEL	PANNEAU POSTÉRIEUR	-	-	-	-	1			
5	12134618	SOPORTE CIERRE PUERTA	DOOR CLOSURE SUPPORT	SUPPORT SERRURE PORTE	1	-	-	-	-			
8	12237941	PANEL LATERAL SKINPLATE	SKINPLATE SIDE PANEL	PANNEAU LATÉRAL SKINPLATE	2	-	-	-	-			
8	12237942	PANEL LATERAL SKINPLATE	SKINPLATE SIDE PANEL	PANNEAU LATÉRAL SKINPLATE	-	2	-	-	-			
8	12237940	PANEL LATERAL SKINPLATE	SKINPLATE SIDE PANEL	PANNEAU LATÉRAL SKINPLATE	-	-	2	-	-			version SKINPLATE
8	12237943	PANEL LATERAL SKINPLATE	SKINPLATE SIDE PANEL	PANNEAU LATÉRAL SKINPLATE	-	-	-	2	-			
8	12237944	PANEL LATERAL SKINPLATE	SKINPLATE SIDE PANEL	PANNEAU LATÉRAL SKINPLATE	-	-	-	-	2			

LÁMINA B / B DRAWING / PLAN B

ITEM	REF.	DENOMINACIÓN	DENOMINATION	DÉNOMINATION	A-11	A-14	A-18	A-25	A-35	HASTA / UNTIL / JUSQU'À	DESDE / FROM / DEPUIS	OBSERVACIONES / NOTES / OBSERVATIONS
8	12173747	PANEL LATERAL INOX	STAINLESS SIDE PANEL	PANNEAU LATÉRAL INOX	2	-	-	-	-			
8	12170054	PANEL LATERAL INOX	STAINLESS SIDE PANEL	PANNEAU LATÉRAL INOX	-	2	-	-	-			
8	12172067	PANEL LATERAL INOX	STAINLESS SIDE PANEL	PANNEAU LATÉRAL INOX	-	-	2	-	-			version INOX / STAINLESS STEEL / ACIER INOX
8	12172083	PANEL LATERAL INOX	STAINLESS SIDE PANEL	PANNEAU LATÉRAL INOX	-	-	-	2	-			
8	12184915	PANEL LATERAL INOX	STAINLESS SIDE PANEL	PANNEAU LATÉRAL INOX	-	-	-	-	2			
9	12008693	PITON CIERRE	LOCK BOLT	BEC FERMETURE	7	7	7	13	13			
10	12008460	MUELLE CIERRE	LOCK SPRING	RESSORT FERMETURE	7	7	7	7	7			
11	12120183	SEPARADOR CALZO PUERTA	DOOR PROP SPACER	SÉPARATEUR CALE PORTE	12	12	12	12	8			
11	12119926	SEPARADOR CALZO PUERTA	DOOR PROP SPACER	SÉPARATEUR CALE PORTE	-	-	-	-	6			
12	12121036	CALZO PUERTA	DOOR PROP	CALE PORTE	-	1	-	-	-			
12	12121490	CALZO PUERTA	DOOR PROP	CALE PORTE	-	-	1	1	-			
12	12128227	CALZO PUERTA	DOOR PROP	CALE PORTE	-	-	-	-	1			
13	12160240	ZOCALO SKINPLATE	SKINPLATE SKIRTING	PLINTHE SKINPLATE	1	-	-	-	-			
13	12168607	ZOCALO SKINPLATE	SKINPLATE SKIRTING	PLINTHE SKINPLATE	-	1	-	-	-			
13	12167914	ZOCALO SKINPLATE	SKINPLATE SKIRTING	PLINTHE SKINPLATE	-	-	1	-	-			version SKINPLATE
13	12168764	ZOCALO SKINPLATE	SKINPLATE SKIRTING	PLINTHE SKINPLATE	-	-	-	1	-			
13	12184661	ZOCALO SKINPLATE	SKINPLATE SKIRTING	PLINTHE SKINPLATE	-	-	-	-	1			
13	12173748	ZOCALO INOX	STAINLESS SKIRTING	PLINTHE INOXYDABLE	1	-	-	-	-			
13	12160777	ZOCALO INOX	STAINLESS SKIRTING	PLINTHE INOXYDABLE	-	1	-	-	-			
13	12152614	ZOCALO INOX	STAINLESS SKIRTING	PLINTHE INOXYDABLE	-	-	1	-	-			version INOX / STAINLESS STEEL / ACIER INOX
13	12188648	ZOCALO INOX	STAINLESS SKIRTING	PLINTHE INOXYDABLE	-	-	-	1	-			
13	12184916	ZOCALO INOX	STAINLESS SKIRTING	PLINTHE INOXYDABLE	-	-	-	-	1			
14	12173744	FONDO PUERTA INOX	STAINLESS DOOR BASE	FOND DE PORTE INOXYDABLE	1	-	-	-	-			
14	12171311	FONDO PUERTA INOX	STAINLESS DOOR BASE	FOND DE PORTE INOXYDABLE	-	1	-	-	-			version INOX / STAINLESS STEEL / ACIER INOX
14	12140943	FONDO PUERTA INOX	STAINLESS DOOR BASE	FOND DE PORTE INOXYDABLE	-	-	1	1	-			
14	12184956	FONDO PUERTA INOX	STAINLESS DOOR BASE	FOND DE PORTE INOXYDABLE	-	-	-	-	1			
15	12238521	BISAGRA PUERTA	DOOR HINGE	CHAMÈRE DE PORTE	2	-	-	-	-			
15	12123602	BISAGRA PUERTA	DOOR HINGE	CHAMÈRE DE PORTE	-	2	2	2	-			
15	12046248	BISAGRA PUERTA	DOOR HINGE	CHAMÈRE DE PORTE	-	-	-	-	2			

LÁMINA B / B DRAWING / PLAN B

ITEM	REF.	DENOMINACIÓN	DENOMINATION	DÉNOMINATION	A-11	A-14	A-18	A-25	A-35	HASTA / UNTIL / JUSQU'À	DESDE / FROM / DEPUIS	OBSERVACIONES / NOTES / OBSERVATIONS
16	12159436	MARCO FRONTAL SKINPLATE	SKINPLATE FORNT FRAME	CADRE FRONTAL SKINPLATE	1	-	-	-	-			
16	12171218	MARCO FRONTAL SKINPLATE	SKINPLATE FORNT FRAME	CADRE FRONTAL SKINPLATE	-	1	-	-	-			
16	12166760	MARCO FRONTAL SKINPLATE	SKINPLATE FORNT FRAME	CADRE FRONTAL SKINPLATE	-	-	1	-	-			version SKINPLATE
16	12167212	MARCO FRONTAL SKINPLATE	SKINPLATE FORNT FRAME	CADRE FRONTAL SKINPLATE	-	-	-	1	-			
16	12184648	MARCO FRONTAL SKINPLATE	SKINPLATE FORNT FRAME	CADRE FRONTAL SKINPLATE	-	-	-	-	1			
16	12173746	MARCO FRONTAL INOX	STAINLESS FORNT FRAME	CADRE FRONTAL INOXYDABLE	1	-	-	-	-			
16	12171315	MARCO FRONTAL INOX	STAINLESS FORNT FRAME	CADRE FRONTAL INOXYDABLE	-	1	-	-	-			
16	12140990	MARCO FRONTAL INOX	STAINLESS FORNT FRAME	CADRE FRONTAL INOXYDABLE	-	-	1	-	-			version INOX / STAINLESS STEEL / ACIER INOX
16	12152050	MARCO FRONTAL INOX	STAINLESS FORNT FRAME	CADRE FRONTAL INOXYDABLE	-	-	-	1	-			
16	12216922	MARCO FRONTAL INOX	STAINLESS FORNT FRAME	CADRE FRONTAL INOXYDABLE	-	-	-	-	1			
16a	11000161	PERFIL A1 104/2	A1 104/2 PROFILE	PROFILÉ A1 104/2	2	2.5	2.5	2.5	3			metros / metres / mètres (m)
20	12120271	TAPA MONEDERO COMPLETA	COIN SLOT COVER	COUVERCLE PORTE-MOONNAIE	1	1	1	1	1			version standar
20	12133105	TAPA CENTRAL DE PAGO	PAY STATION PLATE	TÔLE CENTRALE DE PAIEMENT	1	1	1	1	1			version CENTRAL PAGO / PAY STATION
21	12170411	PORTAMANDOS SKINPLATE	SKINPLATE CONTROL PANEL	TABLEAU DE COMMANDE SKIN	1	-	-	-	-			
21	12170410	PORTAMANDOS SKINPLATE	SKINPLATE CONTROL PANEL	TABLEAU DE COMMANDE SKIN	-	1	-	-	-			
21	12170407	PORTAMANDOS SKINPLATE	SKINPLATE CONTROL PANEL	TABLEAU DE COMMANDE SKIN	-	-	1	-	-			version SKINPLATE
21	12185643	PORTAMANDOS SKINPLATE	SKINPLATE CONTROL PANEL	TABLEAU DE COMMANDE SKIN	-	-	-	1	-			
21	12187479	PORTAMANDOS SKINPLATE	SKINPLATE CONTROL PANEL	TABLEAU DE COMMANDE SKIN	-	-	-	-	1			
21	12173745	PORTAMANDOS INOX	STAINLESS CONTROL PANEL	TABLEAU DE COMMANDE INOX	1	-	-	-	-			
21	12171345	PORTAMANDOS INOX	STAINLESS CONTROL PANEL	TABLEAU DE COMMANDE INOX	-	1	-	-	-			
21	12171676	PORTAMANDOS INOX	STAINLESS CONTROL PANEL	TABLEAU DE COMMANDE INOX	-	-	1	-	-			version INOX / STAINLESS STEEL / ACIER INOX
21	12212058	PORTAMANDOS INOX	STAINLESS CONTROL PANEL	TABLEAU DE COMMANDE INOX	-	-	-	1	-			
21	12184914	PORTAMANDOS INOX	STAINLESS CONTROL PANEL	TABLEAU DE COMMANDE INOX	-	-	-	-	1			
22	12167166	CANTONERA ENCIMERA	WORKTOP CORNER PIECE	CANTONNIÈRE COMPTOIR	2	2	2	2	2			
23	12094428	CERRADURA 0330	0330 LOCK	SERRURE 0330	2	2	2	2	2			
24	12140743	CIERRE COMPLETO UL 205V	UL 205V LOCK	SERRURE UL 205V	1	1	1	1	1			
25	12024758	MIRILLA PUERTA	DOOR GLASS	VERRE DE PORTE	1	1	-	-	-			
25	12141205	MIRILLA PUERTA	DOOR GLASS	VERRE DE PORTE	-	-	1	1	-			
25	12048068	MIRILLA PUERTA	DOOR GLASS	VERRE DE PORTE	-	-	-	-	1			

LÁMINA B / B DRAWING / PLAN B

ITEM	REF.	DENOMINACIÓN	DENOMINATION	DÉNOMINATION	A-11	A-14	A-18	A-25	A-35	HASTA / UNTIL / JUSQU'À	DESDE / FROM / DEPUIS	OBSERVACIONES / NOTES / OBSERVATIONS
26	12023284	JUNTA PUERTA	DOOR SEAL	JOINT DE PORTE	1	1	-	-	-			
26	12141203	JUNTA PUERTA	DOOR SEAL	JOINT DE PORTE	-	-	1	1	-			
26	12048069	JUNTA PUERTA	DOOR SEAL	JOINT DE PORTE	-	-	-	-	1			
26	12164674	JUNTA PUERTA SILICONA	SILICONE DOOR SEAL	SILICONE JOINT DE PORTE	1	1	-	-	-			
26	12216871	JUNTA PUERTA SILICONA	SILICONE DOOR SEAL	SILICONE JOINT DE PORTE	-	-	1	1	-			
27b	12025202	PASADOR PUERTA	DOOR PIN	POIGNÉE PORTE	2	2	2	2	-			
27b	12132203	PASADOR PUERTA	DOOR PIN	POIGNÉE PORTE	-	-	-	-	2			
27c	12016778	PASADOR MANETA	HANDLE PIN	BOULON POIGNÉE	2	2	2	2	2			
27d	12023383	MUELLE MANETA	HANDLE SPRING	RESSORT POIGNÉE	1	1	1	1	1			
27e	12048628	COJINETE PUERTA	DOOR BEARING	PALIER DE PORTE	-	-	-	-	2			
28	12170953	ADHESIVO TIRADOR FAGOR	FAGOR HANDLE STICKER	ADHÉSIF POIGNÉE FAGOR	1	1	1	1	1			
29	12134415	TAPA CIERRE	LOCK COVER	COUVERCLE SERRURE	1	1	-	-	-			
29	12168444	TAPA CIERRE	LOCK COVER	COUVERCLE SERRURE	-	-	1	1	-			
29	12135486	TAPA CIERRE	LOCK COVER	COUVERCLE SERRURE	-	-	-	-	1			
30	12132251	EJE CIERRE	LOCK SHAFT	AXE SERRURE	1	1	1	1	1			
31	12128011	EMBELLECEDOR CIERRE	LOCK TRIM	ENJOLIVEUR SERRURE	1	1	1	1	1			
32	12023347	GANCHO REGULABLE CIERRE	ADJUSTABLE LOCK HOOK	CROCHET RÉGLABLE SERRURE	1	1	1	1	1			
33	12025215	CASQUILLO PUERTA	DOOR BUSHING	BAGUE PORTE	1	1	1	1	1			
34	12040850	MICRORRUPTOR	MICRO-SWITCH	MICRORRUPTEUR	1	-	-	-	-			

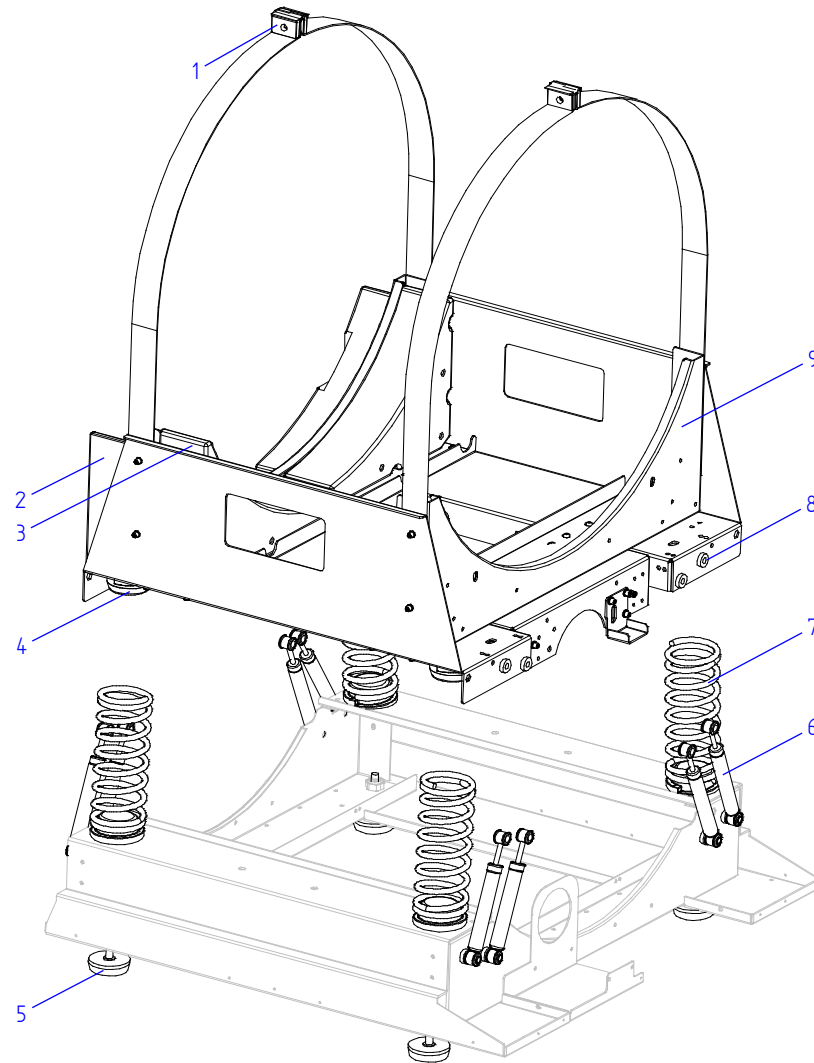
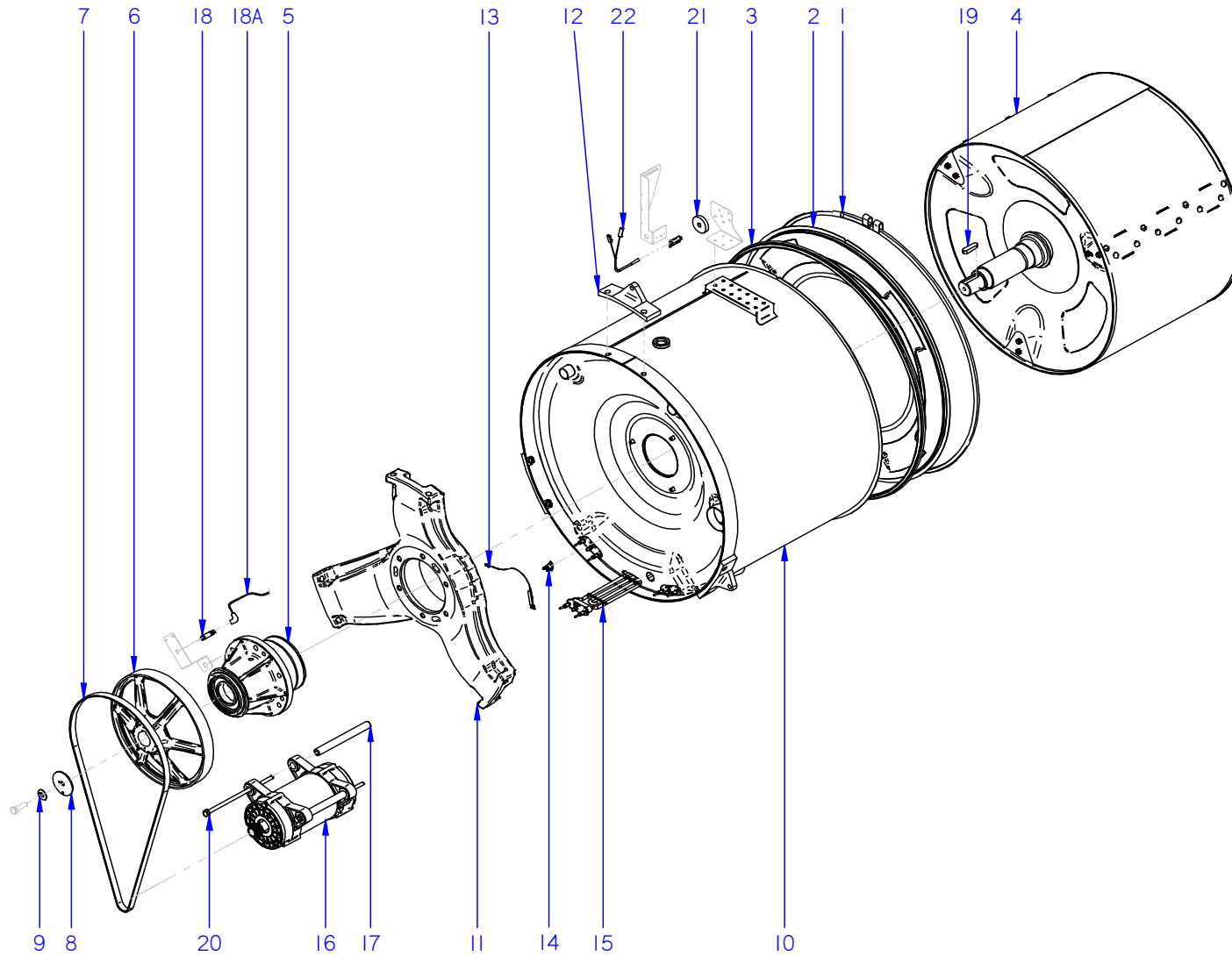


LÁMINA C / C DRAWING / PLAN C

ITEM	REF.	DENOMINACIÓN	DENOMINATION	DÉNOMINATION	A-11	A-14	A-18	A-25	A-35	HASTA / UNTIL / JUSQU'À	DESDE / FROM / DEPUIS	OBSERVACIONES / NOTES / OBSERVATIONS
1	12007919	AMARRE ABRAZADERA	CLAMP FASTENING	COLLIER D'ATTACHE	4	4	4	4	4			
2	12023250	CONTRAPESO 8	COUNTERWEIGH 8	CONTREPOIDS 8	4	-	-	-	-			
2	12023233	CONTRAPESO 13	COUNTERWEIGH 13	CONTREPOIDS 13	-	4	-	-	-			
2	12023227	CONTRAPESO DELANTERO 18	FRONT COUNTERWEIGH 18	CONTREPOIDS AVANT 18	-	-	2	-	-			
2	12023207	CONTRAPESO DELANTERO 25	FRONT COUNTERWEIGH 25	CONTREPOIDS AVANT 25	-	-	-	2	-			
2	12098293	CONTRAPESO DELANTERO 35	FRONT COUNTERWEIGH 35	CONTREPOIDS AVANT 35	-	-	-	-	2			
3	12023212	CONTRAPESO POSTERIOR 18	BACK COUNTERWEIGH 18	CONTREPOIDS POSTÉRIEUR 18	-	-	2	-	-			
3	12023203	CONTRAPESO POSTERIOR 25	BACK COUNTERWEIGH 25	CONTREPOIDS POSTÉRIEUR 25	-	-	-	2	-			
3	12098294	CONTRAPESO POSTERIOR 35	BACK COUNTERWEIGH 35	CONTREPOIDS POSTÉRIEUR 35	-	-	-	-	2			
4	12023345	BASE MUELLE	SPRING BASE	BASE RESSORT	8	8	8	8	8			
5	12024963	PATA LAVADORAS	WASHER-EXTRACTOR FOOT	PIED LAVE-LINGES	4	4	4	4	4			
6	12025077	AMORTIGUADOR 120 N	120 N DAMPER	AMORTISSEUR 120 N	4	-	8	-	-			
6	12025078	AMORTIGUADOR 90 N	90 N DAMPER	AMORTISSEUR 90 N	-	8	-	-	-			
6	12024980	AMORTIGUADOR 140 N	140 N DAMPER	AMORTISSEUR 140 N	-	-	-	8	12			
7	12023286	MUELLE 8	8 SPRING	RESSORT 8	4	-	-	-	-			
7	12023287	MUELLE 13	13 SPRING	RESSORT 13	-	4	-	-	-			
7	12024496	MUELLE 18	18 SPRING	RESSORT 18	-	-	4	-	-			
7	12023259	MUELLE 25	25 SPRING	RESSORT 25	-	-	-	4	-			
7	12112622	MUELLE 35	35 SPRING	RESSORT 35	-	-	-	-	4			
8	12023467	CASQUILLO AMORTIGUADORES	DUMPER BUSHING	BAGUE AMORTISSEURS	8	16	16	16	24			
9	12003855	CUNA COMPLETA	COMPLETE CRADLE	BERCEAU COMPLÈTE	1	-	-	-	-			
9	12003877	CUNA COMPLETA	COMPLETE CRADLE	BERCEAU COMPLÈTE	-	1	-	-	-			
9	12004000	CUNA COMPLETA	COMPLETE CRADLE	BERCEAU COMPLÈTE	-	-	1	-	-			
9	12004021	CUNA COMPLETA	COMPLETE CRADLE	BERCEAU COMPLÈTE	-	-	-	1	-			
9	12097429	CUNA COMPLETA	COMPLETE CRADLE	BERCEAU COMPLÈTE	-	-	-	-	1			



D

TAMBOR / DRUM / TAMBOUR

LÁMINA D / D DRAWING / PLAN D

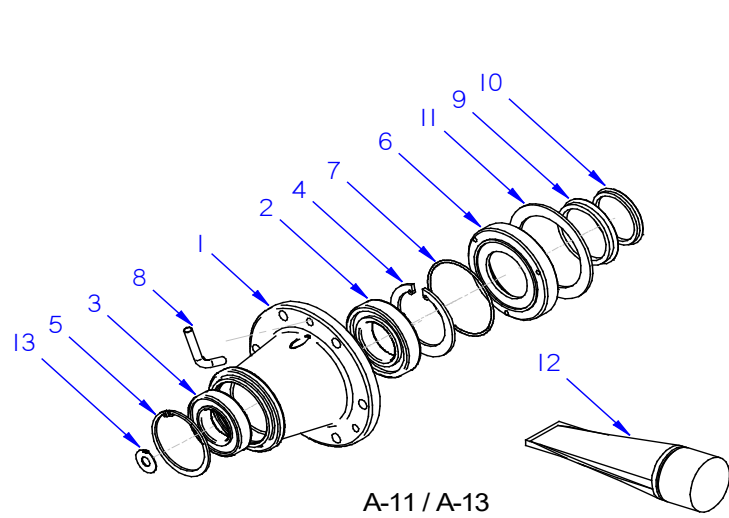
ITEM	REF.	DENOMINACIÓN	DENOMINATION	DÉNOMINATION	A-11	A-14	A-18	A-25	A-35	HASTA / UNTIL / JUSQU'À	DESDE / FROM / DEPUIS	OBSERVACIONES / NOTES / OBSERVATIONS
1	12022642	CIERRE CUBA	TUB ENCLOSURE	SERRURE CUVE	1	-	-	-	-			
1	12023103	CIERRE CUBA	TUB ENCLOSURE	SERRURE CUVE	-	1	-	-	-			
1	12023108	CIERRE CUBA	TUB ENCLOSURE	SERRURE CUVE	-	-	1	-	-			
1	12023105	CIERRE CUBA	TUB ENCLOSURE	SERRURE CUVE	-	-	-	1	-			
1	12049772	CIERRE CUBA	TUB ENCLOSURE	SERRURE CUVE	-	-	-	-	1			
2	12184829	FRENTE CUBA	TUB FRONT	FRONT CUVE	1	1	-	-	-			
2	12140987	FRENTE CUBA	TUB FRONT	FRONT CUVE	-	-	1	-	-			
2	12152012	FRENTE CUBA	TUB FRONT	FRONT CUVE	-	-	-	1	-			
2	12188300	FRENTE CUBA	TUB FRONT	FRONT CUVE	-	-	-	-	1			
3	12023272	JUNTA CUBA	TUB SEAL	JOINT CUVE	1	-	-	-	-			
3	12023268	JUNTA CUBA	TUB SEAL	JOINT CUVE	-	1	-	-	-			
3	12023260	JUNTA CUBA	TUB SEAL	JOINT CUVE	-	-	1	-	-			
3	12023255	JUNTA CUBA	TUB SEAL	JOINT CUVE	-	-	-	1	-			
3	12049084	JUNTA CUBA	TUB SEAL	JOINT CUVE	-	-	-	-	1			
4	12159414	TAMBOR	DRUM	TAMBOUR	1	-	-	-	-			
4	12004087	TAMBOR	DRUM	TAMBOUR	-	1	-	-	-			
4	12152600	TAMBOR	DRUM	TAMBOUR	-	-	1	-	-			
4	12168627	TAMBOR	DRUM	TAMBOUR	-	-	-	1	-			
4	12097273	TAMBOR	DRUM	TAMBOUR	-	-	-	-	1			
5	12093440	SOPORTE RODAMIENTOS	BEARING SUPPORT	SUPPORT DE ROULEMENTS	1	-	-	-	-			
5	12093442	SOPORTE RODAMIENTOS	BEARING SUPPORT	SUPPORT DE ROULEMENTS	-	1	-	-	-			SOPORTE + RODAMIENTOS MONTADO / SUPPORT + BEARINGS ASSEMBLED / SUPPORT + ROULEMENTS MONTÉ
5	12093443	SOPORTE RODAMIENTOS	BEARING SUPPORT	SUPPORT DE ROULEMENTS	-	-	1	-	-			
5	12093446	SOPORTE RODAMIENTOS	BEARING SUPPORT	SUPPORT DE ROULEMENTS	-	-	-	1	-			
5	12132430	SOPORTE RODAMIENTOS	BEARING SUPPORT	SUPPORT DE ROULEMENTS	-	-	-	-	1			
5	12038324	KIT RODAMIENTOS	BEARING KIT	KIT DE ROULEMENTS	1	-	-	-	-			
5	12038332	KIT RODAMIENTOS	BEARING KIT	KIT DE ROULEMENTS	-	1	-	-	-			SIN SOPORTE / WITHOUT SUPPORT / SANS SUPPORT
5	12038336	KIT RODAMIENTOS	BEARING KIT	KIT DE ROULEMENTS	-	-	1	-	-			
5	12012744	KIT RODAMIENTOS	BEARING KIT	KIT DE ROULEMENTS	-	-	-	1	-			
5	12132429	KIT RODAMIENTOS	BEARING KIT	KIT DE ROULEMENTS	-	-	-	-	1			

LÁMINA D / D DRAWING / PLAN D

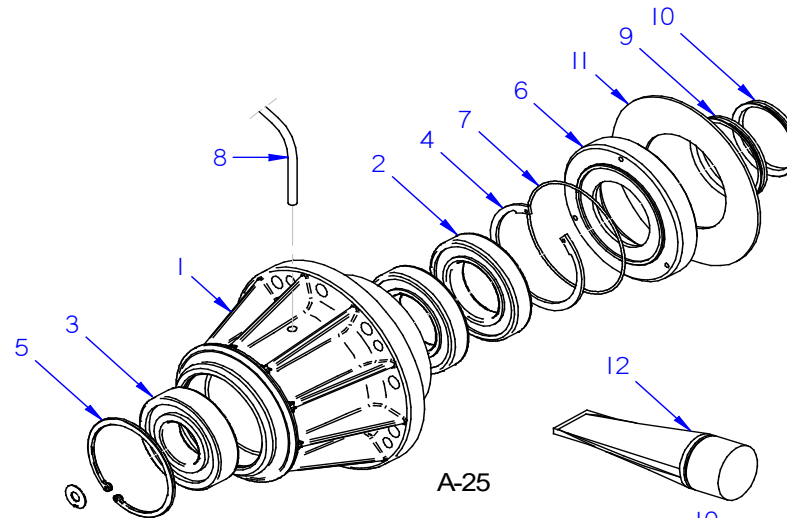
ITEM	REF.	DENOMINACIÓN	DENOMINATION	DÉNOMINATION	A-11	A-14	A-18	A-25	A-35	HASTA / UNTIL / JUSQU'À	DESDE / FROM / DEPUIS	OBSERVACIONES / NOTES / OBSERVATIONS
6	12023279	POLEA TAMBOR	DRUM PULLEY	POULIE TAMBOUR	1	1	-	-	-			
6	12024919	POLEA TAMBOR	DRUM PULLEY	POULIE TAMBOUR	-	-	1	-	-			
6	12023249	POLEA TAMBOR	DRUM PULLEY	POULIE TAMBOUR	-	-	-	1	-			
6	12097389	POLEA TAMBOR	DRUM PULLEY	POULIE TAMBOUR	-	-	-	-	1			
7	12023273	CORREA 8	BELT 8	COURROIE 8	1	-	-	-	-			
7	12023269	CORREA 13	BELT 13	COURROIE 13	-	1	-	-	-			
7	12023267	CORREA 18	BELT 18	COURROIE 18	-	-	1	-	-			
7	12023252	CORREA 25	BELT 25	COURROIE 25	-	-	-	1	-			
7	12153177	CORREA 35	BELT 35	COURROIE 35	-	-	-	-	1			
8	12021847	ARANDELA POLEA TAMBOR	DRUM PULLEY WASHER	RONDELLE POULIE TAMBOUR	1	-	-	-	-			
8	12021832	ARANDELA POLEA TAMBOR	DRUM PULLEY WASHER	RONDELLE POULIE TAMBOUR	-	1	1	1	-			
8	12114004	ARANDELA POLEA TAMBOR	DRUM PULLEY WASHER	RONDELLE POULIE TAMBOUR	-	-	-	-	1			
9	12009896	ARANDELA SEGURIDAD	LOCKING RING	RONDELLE DE BLOCAGE	1	1	1	1	1			
10	12188193	CUBA COMPLETA	COMPLETE TUB	COMPLÈTE CUVE	1	-	-	-	-			
10	12184815	CUBA COMPLETA	COMPLETE TUB	COMPLÈTE CUVE	-	1	-	-	-			
10	12170444	CUBA COMPLETA	COMPLETE TUB	COMPLÈTE CUVE	-	-	1	-	-			
10	12170449	CUBA COMPLETA	COMPLETE TUB	COMPLÈTE CUVE	-	-	-	1	-			
10	12187515	CUBA COMPLETA	COMPLETE TUB	COMPLÈTE CUVE	-	-	-	-	1			
11	12023200	REFUERZO FONDO CUBA	TUB BASE REINFORCEMENT	RENFORCEMENT FOND CUVE	1	-	-	-	-			
11	12023193	REFUERZO FONDO CUBA	TUB BASE REINFORCEMENT	RENFORCEMENT FOND CUVE	-	1	-	-	-			
11	12023188	REFUERZO FONDO CUBA	TUB BASE REINFORCEMENT	RENFORCEMENT FOND CUVE	-	-	1	-	-			
11	12023187	REFUERZO FONDO CUBA	TUB BASE REINFORCEMENT	RENFORCEMENT FOND CUVE	-	-	-	1	-			
11	12046408	REFUERZO FONDO CUBA	TUB BASE REINFORCEMENT	RENFORCEMENT FOND CUVE	-	-	-	-	1			
12	12023348	APOYO TORNILLOS 8	SCREW SUPPORT 8	APPUI VIS 8	3	-	-	-	-			
12	12023329	APOYO TORNILLOS 13	SCREW SUPPORT 13	APPUI VIS 13	-	3	-	-	-			
12	12023317	APOYO TORNILLOS 18	SCREW SUPPORT 18	APPUI VIS 18	-	-	3	-	-			
12	12023327	APOYO TORNILLOS 25	SCREW SUPPORT 25	APPUI VIS 25	-	-	-	3	-			
12	12097420	APOYO TORNILLOS 35	SCREW SUPPORT 35	APPUI VIS 35	-	-	-	-	3			
13	12025036	SONDA NTC	NTC PROBE	SONDE NTC	1	1	1	1	1			
14	12286556	TERMOSTATO DE SEGURIDAD	SAFETY THERMOSTAT	THERMOSTAT DE SÉCURITÉ	1	1	1	1	1			

LÁMINA D / D DRAWING / PLAN D

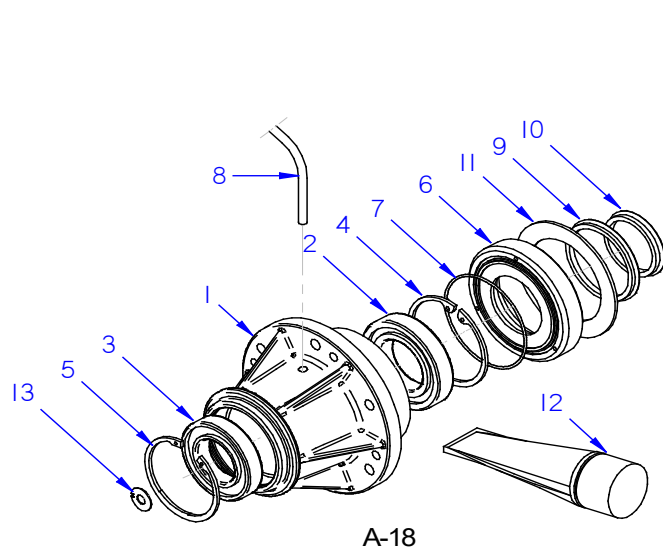
ITEM	REF.	DENOMINACIÓN	DENOMINATION	DÉNOMINATION	A-11	A-14	A-18	A-25	A-35	HASTA / UNTIL / JUSQU'À	DESDE / FROM / DEPUIS	OBSERVACIONES / NOTES / OBSERVATIONS
15	12096226	RESISTENCIA 2000W	HEATING ELEMENT 2000W	RÉSISTANCE 2000W	3	-	-	-	-			
15	12096023	RESISTENCIA 3000W	HEATING ELEMENT 3000W	RÉSISTANCE 3000W	-	3	-	-	-			
15	12096051	RESISTENCIA 4000W	HEATING ELEMENT 4000W	RÉSISTANCE 4000W	-	-	3	-	-			version E
15	12041359	RESISTENCIA 6000W	HEATING ELEMENT 6000W	RÉSISTANCE 6000W	-	-	-	3	-			
15	12092855	RESISTENCIA 7000W	HEATING ELEMENT 7000W	RÉSISTANCE 7000W	-	-	-	-	3			
16	12023197	MOTOR 750W	750W ENGINE	MOTEUR 750W	1	-	-	-	-			
16	12023195	MOTOR 1.1kW	1.1kW ENGINE	MOTEUR 1.1kW	-	1	-	-	-			
16	12023194	MOTOR 2.2kW	2.2kW ENGINE	MOTEUR 2.2kW	-	-	1	-	-			
16	12172751	MOTOR 4kW	4kW ENGINE	MOTEUR 4kW	-	-	-	1	-			
16	12046405	MOTOR 4kW	4kW ENGINE	MOTEUR 4kW	-	-	-	-	1			
17	12023322	TUBO SOPORTE MOTOR	ENGINE SUPPORT TUBE	TUBE SUPPORT MOTEUR	2	-	-	-	-			
17	12023319	TUBO SOPORTE MOTOR	ENGINE SUPPORT TUBE	TUBE SUPPORT MOTEUR	-	2	-	-	-			
17	12023310	TUBO SOPORTE MOTOR	ENGINE SUPPORT TUBE	TUBE SUPPORT MOTEUR	-	-	2	-	-			
17	12023307	TUBO SOPORTE MOTOR	ENGINE SUPPORT TUBE	TUBE SUPPORT MOTEUR	-	-	-	2	2			
18	12235968	SENSOR MAGNETICO 12V	12V MAGNETIC SENSOR	CAPTEUR MAGNÉTIQUE	1	1	1	1	1			
18A	12235966	CABLE SENSOR MAGNETICO	MAGNETIC SENSOR WIRE	CÂBLE CAPTEUR MAGNÉTIQUE	1	1	1	1	1			
19	12025234	CHAVETA 12x8x40	12x8x40 SHAFT KEY	CLAVETTE 12x8x40	1	-	-	-	-			
19	12025213	CHAVETA 14x9x50	14x9x50 SHAFT KEY	CLAVETTE 14x9x50	-	1	1	1	-			
19	12115159	CHAVETA 20x12x63	20x12x63 SHAFT KEY	CLAVETTE 20x12x63	-	-	-	-	1			
20	12009921	TORNILLO M10X150MM	SCREW M10X150MM	VIS M10X150MM	2	-	-	-	-			
20	12009900	TORNILLO M10X180MM	SCREW M10X180MM	VIS M10X180MM	-	2	-	-	2			
20	12009818	TORNILLO M10X220MM	SCREW M10X220MM	VIS M10X220MM	-	-	2	2	-			
21	12023314	IMAN SENSOR DE DESEQUILIBRIO	IMBALANCE SENSOR MAGNET	AIMANT CAPTEUR DÉSÉQUILIBRE	-	1	1	1	1			
22	12024477	SENSOR DE DESEQUILIBRIO	IMBALANCE SENSOR	CAPTEUR DE DÉSÉQUILIBRE	-	1	1	1	1			



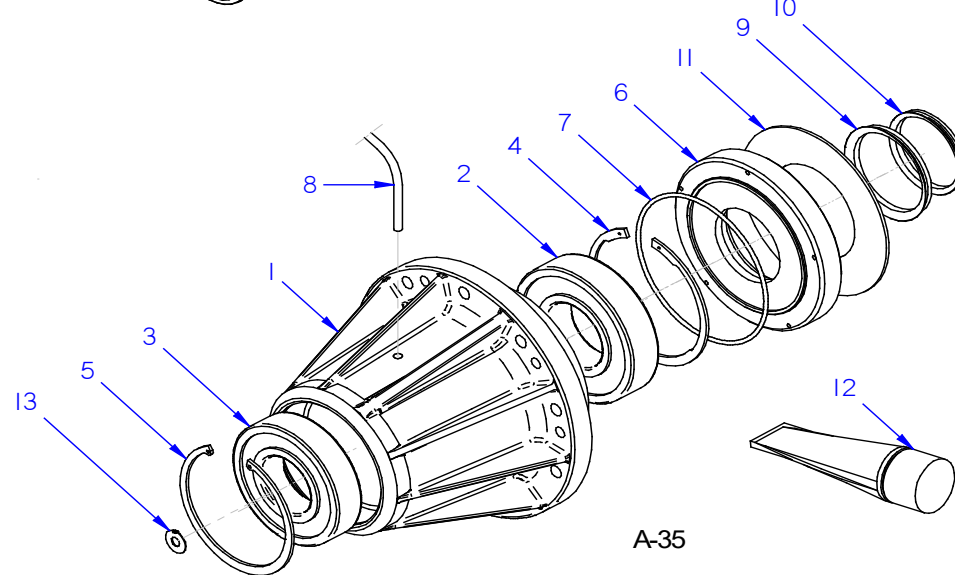
A-11 / A-13



A-25



A-18



A-35

LÁMINA E / E DRAWING / PLAN E

ITEM	REF.	DENOMINACIÓN	DENOMINATION	DÉNOMINATION	A-11	HASTA / UNTIL / JUSQU'À	DESDE / FROM / DEPUIS	OBSERVACIONES / NOTES / OBSERVATIONS
	12093440	SOP. RODAMIENTOS COMLETO	COMPLETE BEARING SUPPORT	SUP. DE ROULEMENTS COMPLET	1			
1	12095450	SOPORTE RODAMIENTOS	BEARING SUPPORT	SUPPORT DE ROULEMENTS	1			
2	12024842	RODAMIENTO 100	100 BEARING	ROULEMENT 100	1			
3	12024905	RODAMIENTO 85	85 BEARING	ROULEMENT 85	1			
4	12024621	ARANDELA SEGURIDAD 100	100 LOCKING WASHER	RONDELLE SECURITE 100	1			
5	12009847	ARANDELA SEGURIDAD 85	85 LOCKING WASHER	RONDELLE SECURITE 85	1			
6	12023238	CASQUILLO CONTRARETEN	LIP SEAL BUSHING	MANCHON JOINT À LÈVRE	1			
7	12009980	JUNTA TORICA 105X3	O-RING 105X3	BAGUE D'ETANCHÉITÉ 105X3	1			
8	11002050	TUBO CRISTAL 7X10	GLASS HOSE 7X10	TUBE DE VERRE	1			metros / metres / mètres (m)
9	12025038	RETEN VA-80	LIP SEAL VA-80	JOINT À LÈVRE VA-80	1			
10	12025226	RETEN VA-65	LIP SEAL VA-65	JOINT À LÈVRE VA-65	1			
11	12025147	JUNTA CASQUILLO RETEN	LIP SEAL BUSHING SEAL	JOINT JOINT À LÈVRE BAGUE	1			
12	12024888	GRASA AMBLYGON 45GR	AMBLYGON GREASE 45GR	GRAISSE AMBLYGON 45GR	1			
13	12260315	ARANDELA SEGURIDAD	LOCKING RING	RONDELLE DE BLOCAGE	1			
	12038324	KIT RODAMIENTOS	BEARING KIT	KIT DE ROULEMENTS	1			
2	12024842	RODAMIENTO 100	100 BEARING	ROULEMENT 100	2			
3	12024905	RODAMIENTO 85	85 BEARING	ROULEMENT 85	1			
4	12024621	ARANDELA SEGURIDAD 100	100 LOCKING WASHER	RONDELLE SECURITE 100	1			
5	12009847	ARANDELA SEGURIDAD 85	85 LOCKING WASHER	RONDELLE SECURITE 85	1			
6	12023238	CASQUILLO CONTRARETEN	LIP SEAL BUSHING	MANCHON JOINT À LÈVRE	1			
7	12009980	JUNTA TORICA 105X3	O-RING 105X3	BAGUE D'ETANCHÉITÉ 105X3	1			
9	12025038	RETEN VA-80	LIP SEAL VA-80	JOINT À LÈVRE VA-80	1			
10	12025226	RETEN VA-65	LIP SEAL VA-65	JOINT À LÈVRE VA-65	1			
11	12025147	JUNTA CASQUILLO RETEN	LIP SEAL BUSHING SEAL	JOINT JOINT À LÈVRE BAGUE	1			
12	12024888	GRASA AMBLYGON 45GR	AMBLYGON GREASE 45GR	GRAISSE AMBLYGON 45GR	1			
13	12260315	ARANDELA SEGURIDAD	LOCKING RING	RONDELLE DE BLOCAGE	1			

LÁMINA E / E DRAWING / PLAN E

ITEM	REF.	DENOMINACIÓN	DENOMINATION	DÉNOMINATION	A-14	HASTA / UNTIL / JUSQU'À	DESDE / FROM / DEPUIS	OBSERVACIONES / NOTES / OBSERVATIONS
	12093442	SOP. RODAMIENTOS COMLETO	COMPLETE BEARING SUPPORT	SUP. DE ROULEMENTS COMPLET	1			
1	12095451	SOPORTE RODAMIENTOS	BEARING SUPPORT	SUPPORT DE ROULEMENTS	1			
2	12023485	RODAMIENTO 110	110 BEARING	ROULEMENT 110	1			
3	12024886	RODAMIENTO 90	90 BEARING	ROULEMENT 90	1			
4	12009802	ARANDELA SEGURIDAD 110	110 LOCKING WASHER	RONDELLE SECURITE 110	1			
5	12009858	ARANDELA SEGURIDAD 90	90 LOCKING WASHER	RONDELLE SECURITE 90	1			
6	12023224	CASQUILLO CONTRARETEN	LIP SEAL BUSHING	MANCHON JOINT À LÈVRE	1			
7	12009940	JUNTA TORICA 114X3	O-RING 114X3	BAGUE D'ETANCHÉITÉ 114X3	1			
8	11002050	TUBO CRISTAL 7X10	GLASS HOSE 7X10	TUBE DE VERRE	1			metros / metres / mètres (m)
9	12024987	RETEN VA-80	LIP SEAL VA-80	JOINT À LÈVRE VA-80	1			
10	12025221	RETEN VA-65	LIP SEAL VA-65	JOINT À LÈVRE VA-65	1			
11	12025149	JUNTA CASQUILLO RETEN	LIP SEAL BUSHING SEAL	JOINT JOINT À LÈVRE BAGUE	1			
12	12024888	GRASA AMBLYGON 45GR	AMBLYGON GREASE 45GR	GRAISSE AMBLYGON 45GR	1			
13	12260315	ARANDELA SEGURIDAD	LOCKING RING	RONDELLE DE BLOCAGE	1			
	12038332	KIT RODAMIENTOS	BEARING KIT	KIT DE ROULEMENTS	1			
2	12023485	RODAMIENTO 110	110 BEARING	ROULEMENT 110	2			
3	12024886	RODAMIENTO 90	90 BEARING	ROULEMENT 90	1			
4	12009802	ARANDELA SEGURIDAD 110	110 LOCKING WASHER	RONDELLE SECURITE 110	1			
5	12009858	ARANDELA SEGURIDAD 90	90 LOCKING WASHER	RONDELLE SECURITE 90	1			
6	12023224	CASQUILLO CONTRARETEN	LIP SEAL BUSHING	MANCHON JOINT À LÈVRE	1			
7	12009940	JUNTA TORICA 114X3	O-RING 114X3	BAGUE D'ETANCHÉITÉ 114X3	1			
9	12024987	RETEN VA-80	LIP SEAL VA-80	JOINT À LÈVRE VA-80	1			
10	12025221	RETEN VA-65	LIP SEAL VA-65	JOINT À LÈVRE VA-65	1			
11	12025149	JUNTA CASQUILLO RETEN	LIP SEAL BUSHING SEAL	JOINT JOINT À LÈVRE BAGUE	1			
12	12024888	GRASA AMBLYGON 45GR	AMBLYGON GREASE 45GR	GRAISSE AMBLYGON 45GR	1			
13	12260315	ARANDELA SEGURIDAD	LOCKING RING	RONDELLE DE BLOCAGE	1			

LÁMINA E / E DRAWING / PLAN E

ITEM	REF.	DENOMINACIÓN	DENOMINATION	DÉNOMINATION	A-18						HASTA / UNTIL / JUSQU'À	DESDE / FROM / DEPUIS	OBSERVACIONES / NOTES / OBSERVATIONS
	12093443	SOP. RODAMIENTOS COMLETO	COMPLETE BEARING SUPPORT	SUP. DE ROULEMENTS COMPLET	1								
1	12095452	SOPORTE RODAMIENTOS	BEARING SUPPORT	SUPPORT DE ROULEMENTS	1								
2	12023445	RODAMIENTO 125	125 BEARING	ROULEMENT 125	1								
3	12023485	RODAMIENTO 110	110 BEARING	ROULEMENT 110	1								
4	12024901	ARANDELA SEGURIDAD 125	125 LOCKING WASHER	RONDELLE SECURITE 125	1								
5	12009802	ARANDELA SEGURIDAD 110	110 LOCKING WASHER	RONDELLE SECURITE 110	1								
6	12023213	CASQUILLO CONTRARETEN	LIP SEAL BUSHING	MANCHON JOINT À LÈVRE	1								
7	12009926	JUNTA TORICA 130x3	O-RING 130x3	BAGUE D'ETANCHÉITÉ 130x3	1								
8	11002050	TUBO CRISTAL 7X10	GLASS HOSE 7X10	TUBE DE VERRE	1								metros / metres / mètres (m)
9	12024988	RETEN VA-95	LIP SEAL VA-95	JOINT À LÈVRE VA-95	1								
10	12025038	RETEN VA-80	LIP SEAL VA-80	JOINT À LÈVRE VA-80	1								
11	12025148	JUNTA CASQUILLO RETEN	LIP SEAL BUSHING SEAL	JOINT JOINT À LÈVRE BAGUE	1								
12	12024888	GRASA AMBLYGON 45GR	AMBLYGON GREASE 45GR	GRAISSE AMBLYGON 45GR	1								
13	12260315	ARANDELA SEGURIDAD	LOCKING RING	RONDELLE DE BLOCAGE	1								
	12038336	KIT RODAMIENTOS	BEARING KIT	KIT DE ROULEMENTS	1								
2	12023445	RODAMIENTO 125	125 BEARING	ROULEMENT 125	2								
3	12023485	RODAMIENTO 110	110 BEARING	ROULEMENT 110	1								
4	12024901	ARANDELA SEGURIDAD 125	125 LOCKING WASHER	RONDELLE SECURITE 125	1								
5	12009802	ARANDELA SEGURIDAD 110	110 LOCKING WASHER	RONDELLE SECURITE 110	1								
6	12023213	CASQUILLO CONTRARETEN	LIP SEAL BUSHING	MANCHON JOINT À LÈVRE	1								
7	12009926	JUNTA TORICA 130x3	O-RING 130x3	BAGUE D'ETANCHÉITÉ 130x3	1								
9	12024988	RETEN VA-95	LIP SEAL VA-95	JOINT À LÈVRE VA-95	1								
10	12025038	RETEN VA-80	LIP SEAL VA-80	JOINT À LÈVRE VA-80	1								
11	12025148	JUNTA CASQUILLO RETEN	LIP SEAL BUSHING SEAL	JOINT JOINT À LÈVRE BAGUE	1								
12	12024888	GRASA AMBLYGON 45GR	AMBLYGON GREASE 45GR	GRAISSE AMBLYGON 45GR	1								
13	12260315	ARANDELA SEGURIDAD	LOCKING RING	RONDELLE DE BLOCAGE	1								

LÁMINA E / E DRAWING / PLAN E

ITEM	REF.	DENOMINACIÓN	DENOMINATION	DÉNOMINATION	A-25						HASTA / UNTIL / JUSQU'À	DESDE / FROM / DEPUIS	OBSERVACIONES / NOTES / OBSERVATIONS
	12093446	SOP. RODAMIENTOS COMLETO	COMPLETE BEARING SUPPORT	SUP. DE ROULEMENTS COMPLET	1								
1	12095453	SOPORTE RODAMIENTOS	BEARING SUPPORT	SUPPORT DE ROULEMENTS	1								
2	12023411	RODAMIENTO 140	140 BEARING	ROULEMENT 140	2								
3	12023428	RODAMIENTO 130	130 BEARING	ROULEMENT 130	1								
4	12049333	ARANDELA SEGURIDAD 140	140 LOCKING WASHER	RONDELLE SECURITE 140	1								
5	12009798	ARANDELA SEGURIDAD 130	130 LOCKING WASHER	RONDELLE SECURITE 130	1								
6	12023205	CASQUILLO CONTRARETEN	LIP SEAL BUSHING	MANCHON JOINT À LÈVRE	1								
7	12010168	JUNTA TORICA 152x3	O-RING 152x3	BAGUE D'ETANCHÉITÉ 152x3	1								
8	11002050	TUBO CRISTAL 7X10	GLASS HOSE 7X10	TUBE DE VERRE	1								metros / metres / mètres (m)
9	12024993	RETEN VA-100	LIP SEAL VA-100	JOINT À LÈVRE VA-100	1								
10	12024992	RETEN VA-90	LIP SEAL VA-90	JOINT À LÈVRE VA-90	1								
11	12025087	JUNTA CASQUILLO RETEN	LIP SEAL BUSHING SEAL	JOINT JOINT À LÈVRE BAGUE	1								
12	12024888	GRASA AMBLYGON 45GR	AMBLYGON GREASE 45GR	GRAISSE AMBLYGON 45GR	1								
13	12260315	ARANDELA SEGURIDAD	LOCKING RING	RONDELLE DE BLOCAGE	1								
	12012744	KIT RODAMIENTOS	BEARING KIT	KIT DE ROULEMENTS	1								
2	12023411	RODAMIENTO 140	140 BEARING	ROULEMENT 140	2								
3	12023428	RODAMIENTO 130	130 BEARING	ROULEMENT 130	1								
4	12049333	ARANDELA SEGURIDAD 140	140 LOCKING WASHER	RONDELLE SECURITE 140	1								
5	12009798	ARANDELA SEGURIDAD 130	130 LOCKING WASHER	RONDELLE SECURITE 130	1								
6	12023205	CASQUILLO CONTRARETEN	LIP SEAL BUSHING	MANCHON JOINT À LÈVRE	1								
7	12010168	JUNTA TORICA 152x3	O-RING 152x3	BAGUE D'ETANCHÉITÉ 152x3	1								
9	12024993	RETEN VA-100	LIP SEAL VA-100	JOINT À LÈVRE VA-100	1								
10	12024992	RETEN VA-90	LIP SEAL VA-90	JOINT À LÈVRE VA-90	1								
11	12025087	JUNTA CASQUILLO RETEN	LIP SEAL BUSHING SEAL	JOINT JOINT À LÈVRE BAGUE	1								
12	12024888	GRASA AMBLYGON 45GR	AMBLYGON GREASE 45GR	GRAISSE AMBLYGON 45GR	1								
13	12260315	ARANDELA SEGURIDAD	LOCKING RING	RONDELLE DE BLOCAGE	1								

LÁMINA E / E DRAWING / PLAN E

ITEM	REF.	DENOMINACIÓN	DENOMINATION	DÉNOMINATION	A-35						HASTA / UNTIL / JUSQU'À	DESDE / FROM / DEPUIS	OBSERVACIONES / NOTES / OBSERVATIONS
	12132430	SOP. RODAMIENTOS COMLETO	COMPLETE BEARING SUPPORT	SUP. DE ROULEMENTS COMPLET	1								
1	12096461	SOPORTE RODAMIENTOS	BEARING SUPPORT	SUPPORT DE ROULEMENTS	1								
2	12097295	RODAMIENTO 190	190 BEARING	ROULEMENT 190	1								
3	12097296	RODAMIENTO 170	170 BEARING	ROULEMENT 170	1								
4	12124798	ARANDELA SEGURIDAD 190	190 LOCKING WASHER	RONDELLE SECURITE 190	1								
5	12124794	ARANDELA SEGURIDAD 170	170 LOCKING WASHER	RONDELLE SECURITE 170	1								
6	12097308	CASQUILLO CONTRARETEN	LIP SEAL BUSHING	MANCHON JOINT À LÈVRE	1								
7	12025230	JUNTA TORICA 200X5	O-RING 200X5	BAGUE D'ETANCHÉITÉ 200X5	1								
8	11002050	TUBO CRISTAL 7X10	GLASS HOSE 7X10	TUBE DE VERRE	1,5								metros / metres / mètres (m)
9	12046264	RETEN VA-110	LIP SEAL VA-110	JOINT À LÈVRE VA-110	1								
10	12024993	RETEN VA-100	LIP SEAL VA-100	JOINT À LÈVRE VA-100	1								
11	12134295	JUNTA CASQUILLO RETEN	LIP SEAL BUSHING SEAL	JOINT JOINT À LÈVRE BAGUE	1								
12	12024888	GRASA AMBLYGON 45GR	AMBLYGON GREASE 45GR	GRAISSE AMBLYGON 45GR	1								
13	12253618	ARANDELA SEGURIDAD	LOCKING RING	RONDELLE DE BLOCAGE	1								
	12132429	KIT RODAMIENTOS	BEARING KIT	KIT DE ROULEMENTS	1								
2	12097295	RODAMIENTO 190	190 BEARING	ROULEMENT 190	2								
3	12097296	RODAMIENTO 170	170 BEARING	ROULEMENT 170	1								
4	12124798	ARANDELA SEGURIDAD 190	190 LOCKING WASHER	RONDELLE SECURITE 190	1								
5	12124794	ARANDELA SEGURIDAD 170	170 LOCKING WASHER	RONDELLE SECURITE 170	1								
6	12097308	CASQUILLO CONTRARETEN	LIP SEAL BUSHING	MANCHON JOINT À LÈVRE	1								
7	12025230	JUNTA TORICA 200X5	O-RING 200X5	BAGUE D'ETANCHÉITÉ 200X5	1								
9	12046264	RETEN VA-110	LIP SEAL VA-110	JOINT À LÈVRE VA-110	1								
10	12024993	RETEN VA-100	LIP SEAL VA-100	JOINT À LÈVRE VA-100	1								
11	12134295	JUNTA CASQUILLO RETEN	LIP SEAL BUSHING SEAL	JOINT JOINT À LÈVRE BAGUE	1								
12	12024888	GRASA AMBLYGON 45GR	AMBLYGON GREASE 45GR	GRAISSE AMBLYGON 45GR	1								
13	12253618	ARANDELA SEGURIDAD	LOCKING RING	RONDELLE DE BLOCAGE	1								

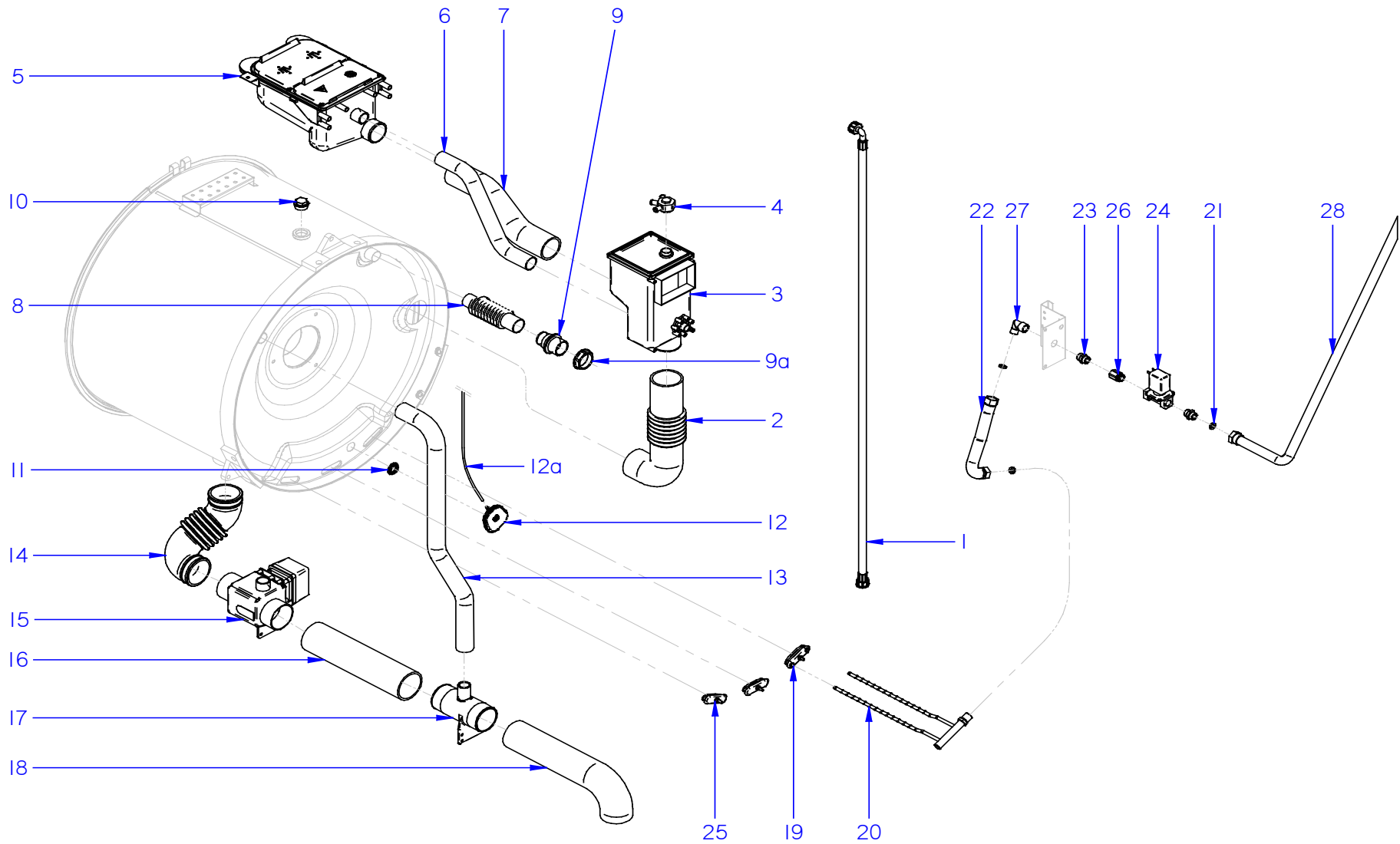


LÁMINA F / F DRAWING / PLAN F

ITEM	REF.	DENOMINACIÓN	DENOMINATION	DÉNOMINATION	A-11	A-14	A-18	A-25	A-35	HASTA / UNTIL / JUSQU'À	DESDE / FROM / DEPUIS	OBSERVACIONES / NOTES / OBSERVATIONS
1	12024115	MANGUERA ENTRADA AGUA	WATER INLET HOSE	FLEXIBLE D'ENTRÉE	3	3	3	3	3			
2	12023263	CONDUCTO DOSIFICADOR CUBA	DISPENSER TO TUB PIPE	CONDUIT DOSEUR CUVE	1	-	-	-	-			
2	12025016	CONDUCTO DOSIFICADOR CUBA	DISPENSER TO TUB PIPE	CONDUIT DOSEUR CUVE	-	1	-	-	-			
2	12025017	CONDUCTO DOSIFICADOR CUBA	DISPENSER TO TUB PIPE	CONDUIT DOSEUR CUVE	-	-	1	1	1			
3	12161198	COLECTOR WRAS	WRAS COLLECTOR BOX	COLLECTEUR WRAS	1	1	1	1	1			
4	12130902	ENTRADA COLECTOR WRAS	WRAS COLLECTOR BOX INLET	ENTRÉE COLLECTEUR WRAS	1	1	1	1	-			
4	12130892	ENTRADA COLECTOR WRAS	WRAS COLLECTOR BOX INLET	ENTRÉE COLLECTEUR WRAS	-	-	-	-	1			
5	12007752	CUBETA DE DETERGENTES	SOAP TRAY	CUBET DETERGENT	1	1	1	1	1			
6	12007856	CONDUCTO REBOSADERO CUBA	TRAY OVERFLOW PIPE	CONDUIT DÉVERSOIR COLLECTEI	1	1	-	-	-			
6	12007839	CONDUCTO REBOSADERO CUBA	TRAY OVERFLOW PIPE	CONDUIT DÉVERSOIR COLLECTEI	-	-	1	-	-			
6	12007825	CONDUCTO REBOSADERO CUBA	TRAY OVERFLOW PIPE	CONDUIT DÉVERSOIR COLLECTEI	-	-	-	1	-			
6	12007811	CONDUCTO REBOSADERO CUBA	TRAY OVERFLOW PIPE	CONDUIT DÉVERSOIR COLLECTEI	-	-	-	-	1			
7	12007772	CONDUCTO CUBETERA	TRAY PIPE	CONDUIT COLLECTEUR	1	1	-	-	-			
7	12007776	CONDUCTO CUBETERA	TRAY PIPE	CONDUIT COLLECTEUR	-	-	1	-	-			
7	12007763	CONDUCTO CUBETERA	TRAY PIPE	CONDUIT COLLECTEUR	-	-	-	1	-			
7	12007756	CONDUCTO CUBETERA	TRAY PIPE	CONDUIT COLLECTEUR	-	-	-	-	1			
8	12023308	CONDUCTO SALIDA VAPOR	STEAM OUTLET HOSE	CONDUIT SORTIE DE VAPEUR	1	1	1	-	1			
8	12007766	CONDUCTO SALIDA VAPOR	STEAM OUTLET HOSE	CONDUIT SORTIE DE VAPEUR	-	-	-	1	-			
9	12023755	PASAMUROS	WALL BUSHING	PASSE-CLOISON	1	1	1	1	1			
9a	12023537	TUERCA PASAMUROS	WALL BUSHING NUT	ÉCROU DE PASSE-CLOISON	1	1	1	1	1			
10	12128218	TAPON CUBA	TUB CAP	BOUCHON CUVE	-	1	1	1	1			
11	12134512	JUNTA TORICA PRESOSTATO	PRESSURE CHAMBER O-RING	JOINT TORIQUE PRESSOSTAT	1	1	1	1	1			
12	12134660	PRESOSTATO CUBA	TUB PRESSURE CHAMBER	PRESSOSTAT CUVE	1	1	1	1	1			
12a	11000066	TUBO GOMA NEGRO D8x4	BLACK RUBBER HOSE D8x4	TUYAU DE CAOUTCHOUC D8x4	2	2	2	2	2			Unidad en metros (m) / measure in metres (m)
13	12023265	CONDUCTO REBOSADERO CUBA	TUB OVERFLOW PIPE	CONDUIT SÉVERSOIR CUVE	1	-	-	-	-			
13	12023271	CONDUCTO REBOSADERO CUBA	TUB OVERFLOW PIPE	CONDUIT SÉVERSOIR CUVE	-	1	-	-	-			
13	12024866	CONDUCTO REBOSADERO CUBA	TUB OVERFLOW PIPE	CONDUIT SÉVERSOIR CUVE	-	-	1	-	-			
13	12024833	CONDUCTO REBOSADERO CUBA	TUB OVERFLOW PIPE	CONDUIT SÉVERSOIR CUVE	-	-	-	1	1			
14	12044165	CONDUCTO DESAGÜE CUBA	TUB DRAINAGE PIPE	TUYAU D'ÉCOULEMENT CUVE	1	1	1	-	1			
14	12025016	CONDUCTO DESAGÜE CUBA	TUB DRAINAGE PIPE	TUYAU D'ÉCOULEMENT CUVE	-	-	-	1	-			

LÁMINA F / F DRAWING / PLAN F

ITEM	REF.	DENOMINACIÓN	DENOMINATION	DÉNOMINATION	A-11	A-14	A-18	A-25	A-35		HASTA / UNTIL / JUSQU'À	DESDE / FROM / DEPUIS	OBSERVACIONES / NOTES / OBSERVATIONS
15	12137690	VALVULA DE VACIADO	DRAIN VALVE	VANNE DE VIDANGE	1	1	1	1	1				ABIERTA / OPEN / OUVERTE
15	12213534	VALVULA DE VACIADO	DRAIN VALVE	VANNE DE VIDANGE	1	1	1	1	1				CERRADA / CLOSED / FERMÉE
16	12046143	CONDUCTO SALIDA ELECTROV	DRAIN VALVE OUTLET PIPE	CONDUIT SORTIE ÉLECTROVANN	1	1	-	-	-				
16	12046139	CONDUCTO SALIDA ELECTROV	DRAIN VALVE OUTLET PIPE	CONDUIT SORTIE ÉLECTROVANN	-	-	1	-	-				
16	12046144	CONDUCTO SALIDA ELECTROV	DRAIN VALVE OUTLET PIPE	CONDUIT SORTIE ÉLECTROVANN	-	-	-	1	1				
17	12046868	SALIDA DESAGÜE 3"	3" DRAINAGE OUTLET	SORTIE D'ECOULEMENT 3"	1	1	1	1	1				
18	12025026	CONDUCTO SALIDA DESAGÜE	DRAINAGE PIPE	CONDUIT D'ECOULEMENT	1	1	1	1	1				
19	12024539	TAPON CIERRE COMPLETO	COMPLETE CLOUSURE CAP	BOUCHON FERMETURE ENTIER	2	2	2	2	2				version S
19	12024508	TAPON CIERRE VAPOR	STEAM CLOUSURE CAP	BOUCHON FERMETURE VAPEUR	1	1	1	1	1				version S
20	12021970	INYECTOR VAPOR 8,13,18	STEAM JET 10,13,18	ENJECTEUR VAPEUR 8,13,18	1	1	1	-	-				version S
20	12021640	INYECTOR VAPOR 25	STEAM JET 25	INJECTEUR VAPEUR 25	-	-	-	1	-				version S
20	12132322	INYECTOR VAPOR 35	STEAM JET 35	INJECTEUR VAPEUR 35	-	-	-	-	1				version S
21	12025033	ARANDELA VAPOR 8/13/18	STEAM WASHER 8/13/18	RONDELLE VAPEUR 8/13/18	4	4	4	-	-				version S
22	12023461	LATIGUILLO VAPOR 10-13-18	STEAM HOSE 10-13-18	FLEXIBLE VAPEUR 10-13-18	1	1	1	-	-				version S
22	12023410	LATIGUILLO VAPOR 25-35	STEAM HOSE 25-35	FLEXIBLE VAPEUR 25-35	-	-	-	1	1				version S
23	12008907	MANGUITO DOBLE 1/2	1/2 DOUBLE CONNECTION	MANCHON DOUBLE 1/2	1	1	1	-	-				version S
23	12024396	MANGUITO 3/4	3/4 CONNECTION	MANCHON 3/4	-	-	-	1	1				version S
24	12023340	VALVULA VAPOR 1/2 50/60Hz	STEAM VALVE 1/2 50/60HZ	VALVE VAPEUR 1/2 50/60Hz	1	1	1	-	-				version S
24	12024331	VALVULA VAPOR 3/4" 60Hz	STEAM VALVE 3/4 60HZ	VALVE VAPEUR 3/4 60Hz	-	-	-	1	1				version S
25	12024539	TAPON CIERRE COMPLETO	COMPLETE CLOSSURE CAP	BOUCHON FERMETURE ENTIER	3	3	3	3	3				version S y HW
26	12008219	RACOR 1-2	1-2 CONNECTION	RACCORD 1-2	1	1	1	1	1				version S
27	12045180	CODO LATON	L-BEND	RACCORD COUDÉ LAITON	1	1	1	-	-				version S
27	12023591	CODO 3/4 LATON	L-BEND 3/4	RACCORD COUDÉ 3/4 LAITON	-	-	-	1	1				version S
28	12024330	MANGUERA VAPOR 10-13-18	STEAM HOSE 10-13-18	FLEXIBLE VAPEUR 10-13-18	1	1	1	-	-				version S
28	12024529	MANGUERA VAPOR 25 PLANA	FLAT STEAM HOSE 25	FLEXIBLE VAPEUR 25	-	-	-	1	1				version S

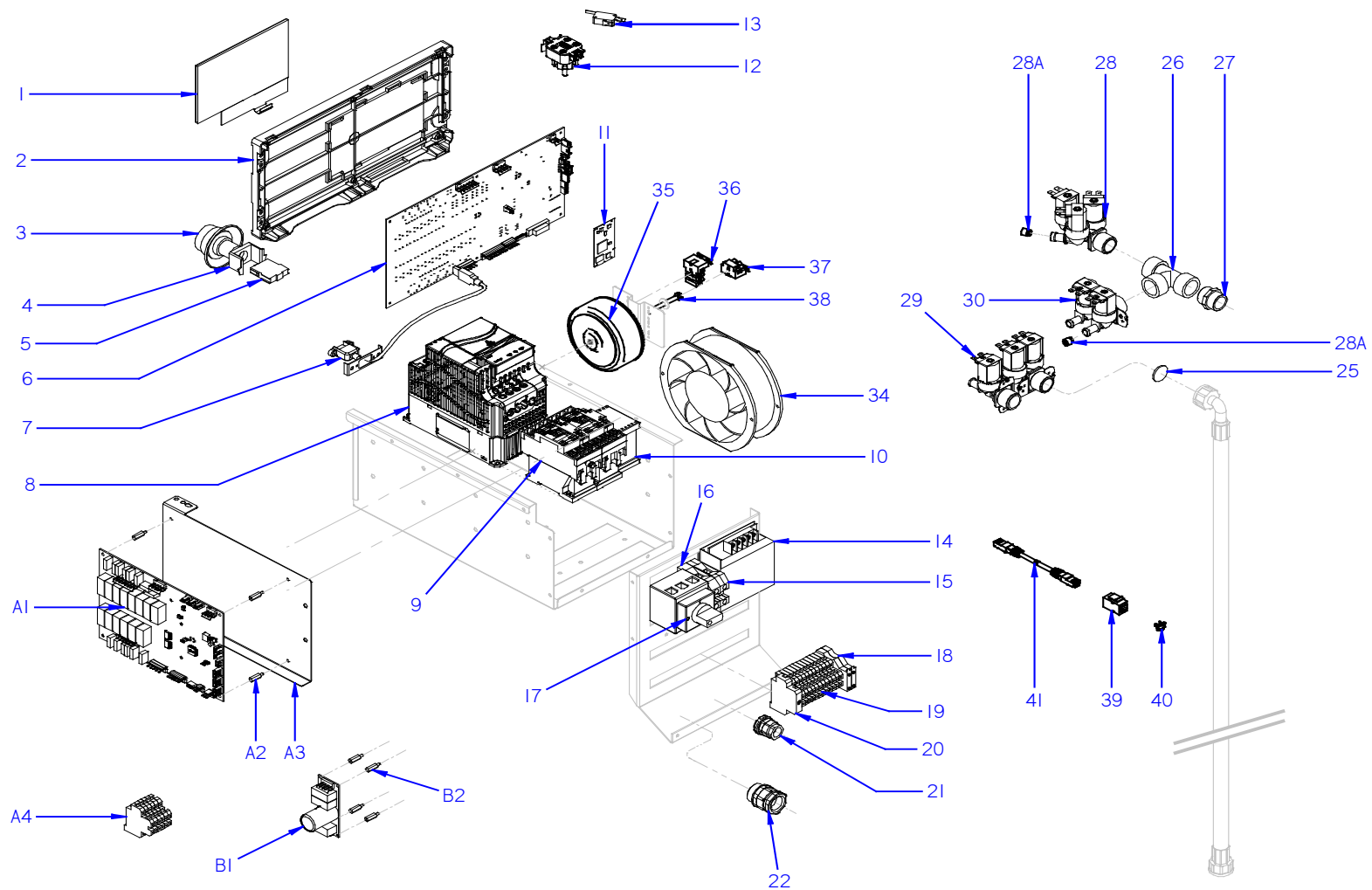


LÁMINA G / G DRAWING / PLAN G

ITEM	REF.	DENOMINACIÓN	DENOMINATION	DÉNOMINATION	A-11	A-14	A-18	A-25			HASTA / UNTIL / JUSQU'À	DESDE / FROM / DEPUIS	OBSERVACIONES / NOTES / OBSERVATIONS
1	12157588	DISPLAY TP 7"	7" TP DISPLAY	DISPLAY TP 7"	1	1	1	1					
2	12165732	SOPORTE MAIN BOARD	MAIN BOARD SUPPORT	SUPPORT MAIN BOARD	1	1	1	1					
3	12120235	SETA DE EMERGENCIA	EMERGENCY STOP BUTTON	BOUTON D'ARRÊT D'URGENCE	1	1	1	1					
4	12120238	SOPORTE SETA EMERGENCIA	EMERGENCY STOP SUPPORT	SUPPORT BOUTON D'URGENCE	1	1	1	1					version PULSADOR EMERGENCIA / EMERGENCY BUTTON / BOUTON D'URGENCE
5	12120237	PULSADOR EMERGENCIA	EMERGENCY SWITCH	BOUTON D'URGENCE	1	1	1	1					
6	12168823	TARJETA PRINCIPAL TP2	TP2 MAIN BOARD	CARTE PRINCIPALE TP2	1	1	1	1					
7	12133373	CABLE USB MACHO-HEMBRA	USB WIRE MALE-FEMALE	CÂBLE MÂLE-FEMELLE	1	1	1	1					
8	12116803	VARIADOR 1,5kW 230V	INVERTER 1,5kW 230V	VARIATEUR 1,5kW 230V	1	-	-	-					
8	12214488	VARIADOR 5,5kW 400V	INVERTER 5,5kW 400V	VARIATEUR 5,5kW 400V	1	-	-	-					version BARCO / SHIP / BATEAU
8	12116804	VARIADOR 1,5kW 230V	INVERTER 1,5kW 230V	VARIATEUR 1,5kW 230V	-	1	-	-					
8	12214501	VARIADOR 1,5kW 230V	INVERTER 1,5kW 230V	VARIATEUR 1,5kW 230V	-	1	-	-					version BARCO / SHIP / BATEAU
8	12116805	VARIADOR 2,2kW 230V	INVERTER 2,2kW 230V	VARIATEUR 2,2kW 230V	-	-	1	-					
8	12214504	VARIADOR 5,5kW 400V	INVERTER 5,5kW 400V	VARIATEUR 5,5kW 400V	-	-	1	-					version BARCO / SHIP / BATEAU
8	12225365	VARIADOR 5,5kW 230V	INVERTER 5,5kW 230V	VARIATEUR 5,5kW 230V	-	-	-	1					
8	12214507	VARIADOR 5,5kW 400V	INVERTER 5,5kW 400V	VARIATEUR 5,5kW 400V	-	-	-	1					version BARCO / SHIP / BATEAU
9	12024040	CONTACTOR	CONTACTOR	CONTACTEUR	2	2	2	-					
9	12041014	CONTACTOR 4 VIAS	4 WAY CONTACTOR	CONTACTOR 4VOIES	-	-	-	2					
10	12024011	CONTACTOR4 VIAS	4 WAY CONTACTOR	CONTACTOR 4VOIES	1	1	1	1					
11	12131303	PROCESADOR	PROCESSOR	PROCESSEUR	1	1	1	1					
12	12128262	SENSOR DE PRESION	PRESSURE SENSOR	CAPTEUR DE PRESSION	1	1	1	1					
13	12024696	MICRORRUPTOR PUERTA	DOOR MICROSWITCH	MICRORUPTEUR PORTE	1	1	1	1					
14	12116823	TRANSFORMADOR	TRANSFORMER	TRANSFORMATEUR	1	1	1	1					
15	12024515	BORNA TIERRA 35MM	GROUND CONNECTOR 35MM	BORNE TERRE 35MM	1	1	1	1					
16	12025143	BORNA NEUTRA AZUL 35MM	BLUE NEUTRAL CONNECTOR 35M	BORNE NEUTRE BLEUE 35MM	1	1	1	1					
17	12024858	SECCIONADOR 4 VIAS	4 WAY ISOLATOR SWITCH	COMMUTATEUR 4 VEUE	1	-	-	-					
17	12024628	SECCIONADOR 3 VIAS	3 WAY ISOLATOR SWITCH	COMMUTATEUR 3 VEUE	-	1	1	1					version E
17	12024858	SECCIONADOR 4 VIAS	4 WAY ISOLATOR SWITCH	COMMUTATEUR 4 VEUE	-	1	1	1					version HW, S, BARCO / SHIP / BATEAU
18	12025158	BORNA PORTAFUSIBLE	FUSE HOLDER CONNECTOR	BORNE PORTE-FUSIBLES	2	2	2	2					
19	12025180	REGLETA 2 PISOS	TERMINAL BLOCK	BORNIER 2 ÉTAGES	12	12	12	12					version 3F+N+T
20	12024743	BORNA TIERRA	GROUND CONNECTOR	BORNE TERRE	1	1	1	1					

LÁMINA G / G DRAWING / PLAN G

ITEM	REF.	DENOMINACIÓN	DENOMINATION	DÉNOMINATION	A-11	A-14	A-18	A-25			HASTA / UNTIL / JUSQU'À	DESDE / FROM / DEPUIS	OBSERVACIONES / NOTES / OBSERVATIONS
21	12009966	PRENSAESTOPAS	CABLE GLAND	PRESSE-ÉTOUPE	1	1	1	1					
22	12288507	PRENSAESTOPAS	CABLE GLAND	PRESSE-ÉTOUPE	1	1	1	1					
25	12025278	FILTRO DE JUNTA N-3	JOINT FILTER N-3	FILTRE DE JOINT N-3	3	3	3	3					
26	12024996	RACOR EN T 3/4	T-SHAPED FITTING 3/4	T RACCORD 3/4	1	1	1	1					
27	12024396	MANGUITO 3/4	3/4 CONNECTION	RACCORD 3/4	1	1	1	1					
28	12023921	ELECTROVALVULA 3 VIAS	3 WAY SOLENOID VALVE	ELECTROVANNE 3 VOIES	1	1	1	1					
28A	12097038	REGULADOR 3L NEGRO	3L BLACK REGULATOR	RÉGULATEUR NOIRE 3L	2	2	2	2					
29	12025161	ELECTROVALVULA SIMPLE	SIMPLE SOLENOID VALVE	ELECTROVANNE SIMPLE	1	1	1	1					
30	12023794	ELECTROVALVULA 2 VIAS	2 WAY SOLENOID VALVE	ELECTROVANNE 2 VOIES	2	2	2	2					
34	12024106	VENTILADOR 36kW	FAN 36kW	VENTILATEUR 36kW	-	-	-	1					
35	12245602	TRANSFORMADOR	TRANSFORMER	TRANSFORMATEUR	1	1	1	1					version BARCO / SHIP / BATEAU
36	12040921	BORNA PORTAFUSIBLE 4 VIAS	4 WAY FUSE HOLDER TERMINAL	BORNE PORTE-FUSIBLE 4 VOIES	1	1	1	1					version BARCO / SHIP / BATEAU
37	12040923	BORNA PORTAFUSIBLE 2 VIAS	2 WAY FUSE HOLDER TERMINAL	BORNE PORTE-FUSIBLE 2 VOIES	1	1	1	1					version BARCO / SHIP / BATEAU
	12101596	FUSIBLE	FUSE	FUSIBLE	3	3	3	3					version BARCO / SHIP / BATEAU
38	12009989	TORNILLO M6x80	SCREW M6x80	BOULON M6x80	1	1	1	1					version BARCO / SHIP / BATEAU
39	12276989	PASAMUROS ETHERNET	ETHERNET WALL BUSHING	PASSECLOISON ETHERNET	1	1	1	1					
40	12277656	TAPA PASAMUROS	WALL BUSHING COVER	BOUCHON PASSECLOISON	1	1	1	1					
41	12277697	CABLE ETHERNET	ETHERNET WIRING	CABLAGE ETHERNET	1	1	1	-					
41	12277698	CABLE ETHERNET	ETHERNET WIRING	CABLAGE ETHERNET	-	-	-	1					
A1	12120814	TARJETA AUXILIAR TP	TP AUXILIARY BOARD	CARTE AUXILIARE TP	1	1	1	1					
A2	12025260	DISTANCIADOR M3	M3 SPACER	ENTRETOISE M3	4	4	4	4					version DOSIFICACIÓN EXTRA / EXTRA DOSING / DOSAGE EXTRA
A3	12129234	SOPORTE	SUPPORT	SUPPORT	1	1	1	1					
A4	12025180	REGLETA 2 PISOS	TERMINAL BLOCK	BORNIER 2 ÉTAGES	6	6	6	6					version DESBLOQUEO AUTOMATICO / AUTOMATIC UNLOCK / VERROUILLAGE AUTOMATIQUE
B1	12151431	CONTROL TARJETA 1 RELE	1 RELAY CONTROL CARD	CONTRÔLE CARTE 1 REL	1	1	1	1					
B2	12025260	DISTANCIADOR	SPACER	ENTRETOISE	4	4	4	4					

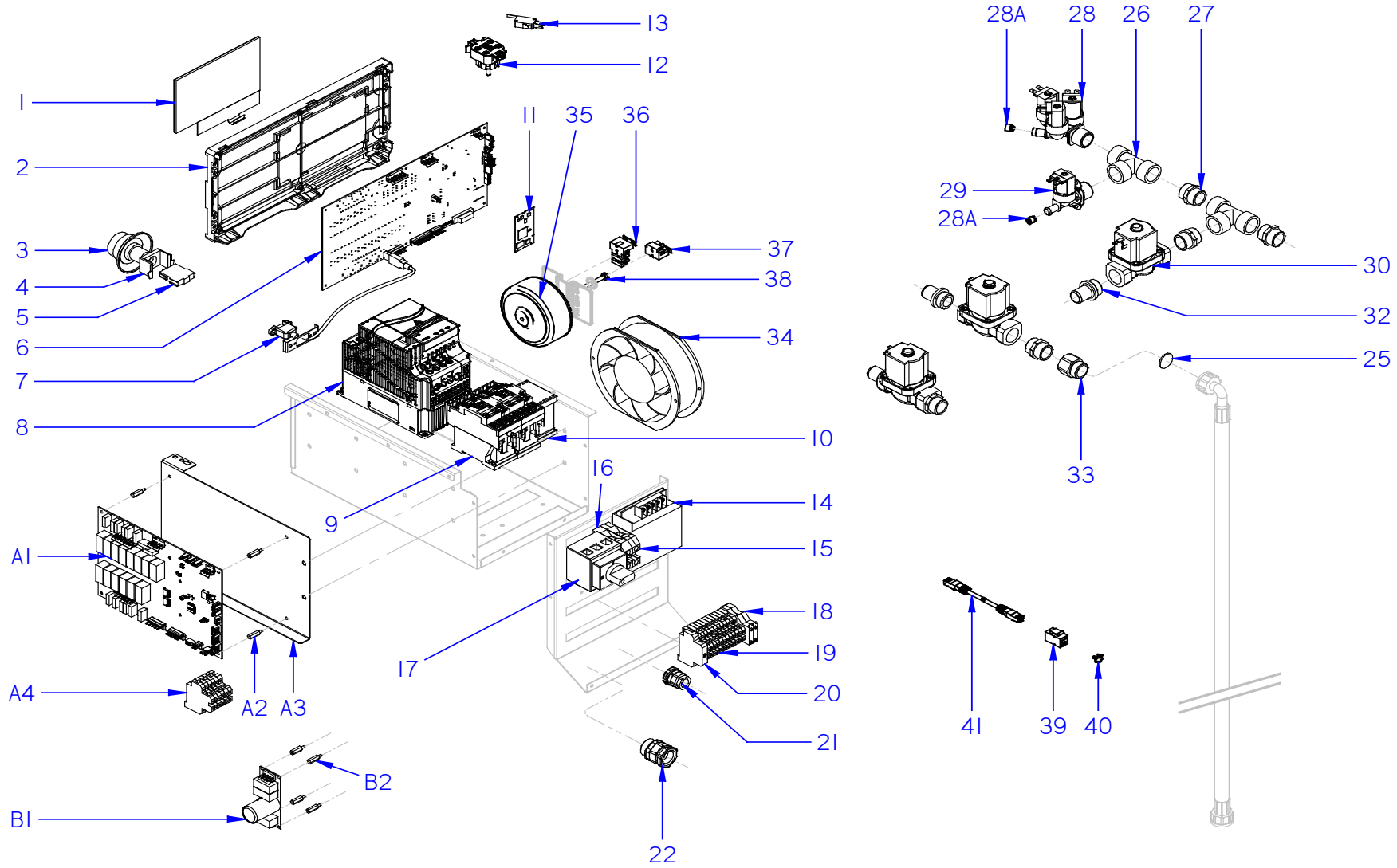
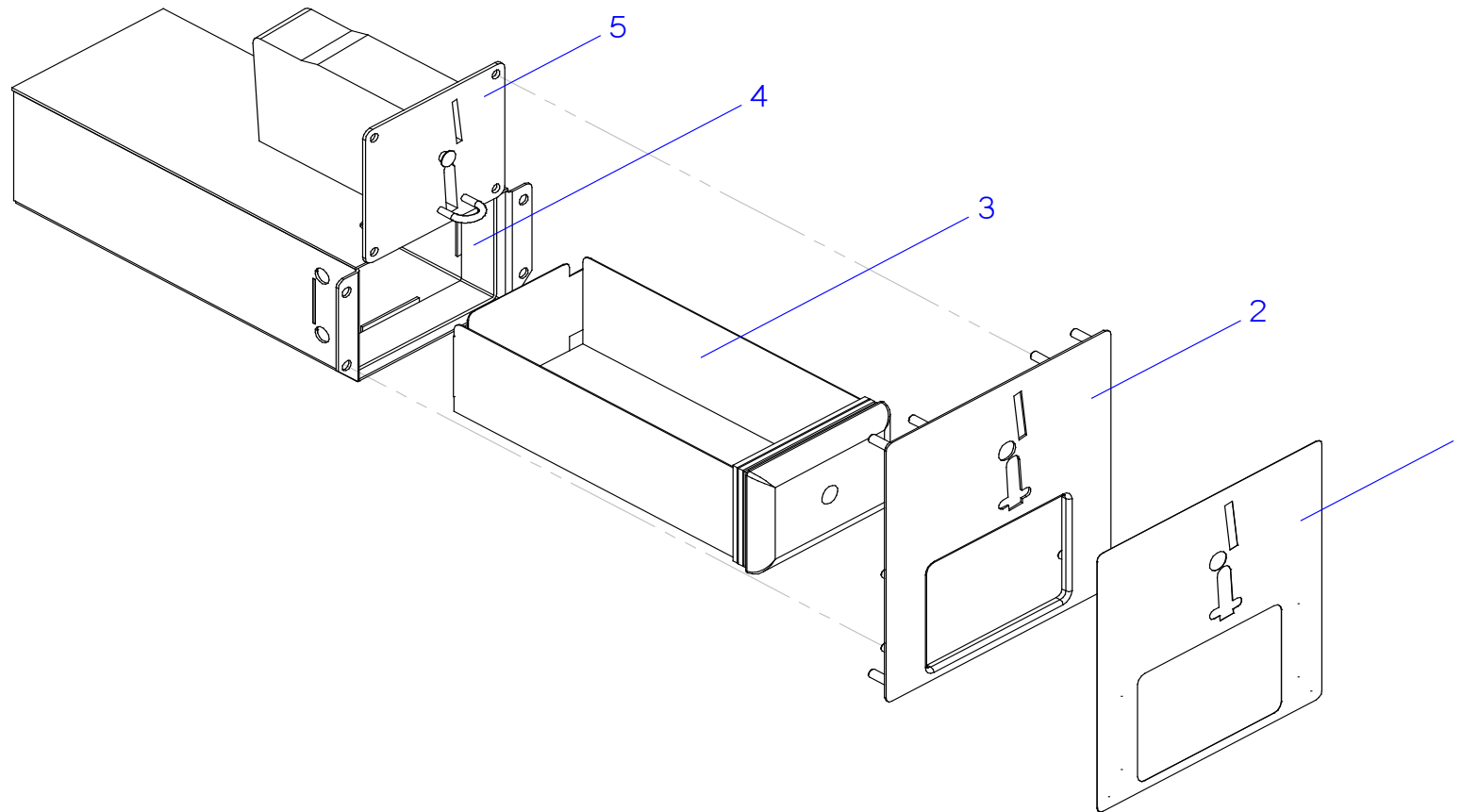


LÁMINA H / H DRAWING / PLAN H

ITEM	REF.	DENOMINACIÓN	DENOMINATION	DÉNOMINATION	A-35						HASTA / UNTIL / JUSQU'À	DESDE / FROM / DEPUIS	OBSERVACIONES / NOTES / OBSERVATIONS
1	12157588	DISPLAY TP 7"	7" TP DISPLAY	DISPLAY TP 7"	1								
2	12165732	SOPORTE MAIN BOARD	MAIN BOARD SUPPORT	SUPPORT MAIN BOARD	1								
3	12120235	SETA DE EMERGENCIA	EMERGENCY STOP BUTTON	BOUTON D'ARRÊT D'URGENCE	1								
4	12120238	SOPORTE SETA EMERGENCIA	EMERGENCY STOP SUPPORT	SUPPORT BOUTON D'URGENCE	1								version PULSADOR EMERGENCIA / EMERGENCY BUTTON / BOUTON D'URGENCE
5	12120237	PULSADOR EMERGENCIA	EMERGENCY SWITCH	BOUTON D'URGENCE	1								
6	12168823	TARJETA PRINCIPAL TP2	TP2 MAIN BOARD	CARTE PRINCIPALE TP2	1								
7	12133373	CABLE USB MACHO-HEMBRA	USB WIRE MALE-FEMALE	CÂBLE MÂLE-FEMELLE	1								
8	12134026	VARIADOR 5,5kW 230V	INVERTER 5,5kW 230V	VARIATEUR 5,5kW 230V	1								version (230III)
8	12131830	VARIADOR 5,5kW 400V	INVERTER 5,5kW 400V	VARIATEUR 5,5kW 400V	1								version (400III) + BARCO / SHIP / BATEAU
9	12041014	CONTACTOR 4 VIAS	4 WAY CONTACTOR	CONTACTOR 4VOIES	2								
10	12024011	CONTACTOR 4 VIAS	4 WAY CONTACTOR	CONTACTOR 4VOIES	1								
11	12131303	PROCESADOR	PROCESSOR	PROCESSEUR	1								
12	12128262	SENSOR DE PRESION	PRESSURE SENSOR	CAPTEUR DE PRESSION	1								
13	12024696	MICRORRUPTOR PUERTA	DOOR MICROSWITCH	MICRORUPTEUR PORTE	1								
14	12116823	TRANSFORMADOR	TRANSFORMER	TRANSFORMATEUR	1								
15	12024515	BORNA TIERRA 35MM	GROUND CONNECTOR 35MM	BORNE TERRE 35MM	1								
16	12025143	BORNA NEUTRA AZUL 35MM	BLUE NEUTRAL CONNECTOR 35mm	BORNE NEUTRE BLEUE 35MM	1								
17	12024628	SECCIONADOR 3 VIAS	3 WAY ISOLATOR SWITCH	COMMUTATEUR 3 VEUE	1								400III + 230III + BARCO / SHIP / BATEAU
17	12024858	SECCIONADOR 4 VIAS	4 WAY ISOLATOR SWITCH	COMMUTATEUR 4 VEUE	1								230III HW/S
18	12025158	BORNA PORTAFUSIBLE	FUSE HOLDER CONNECTOR	BORNE PORTE-FUSIBLES	2								
19	12025180	REGLETA 2 PISOS	TERMINAL BLOCK	BORNIER 2 ÉTAGES	12								version 3F+N+T
20	12024743	BORNA TIERRA	GROUND CONNECTOR	BORNE TERRE	1								
21	12009966	PRENSAESTOPAS	CABLE GLAND	PRESSE-ÉTOUPE	1								
22	12288507	PRENSAESTOPAS	CABLE GLAND	PRESSE-ÉTOUPE	1								
25	12025278	FILTRO DE JUNTA N-3	JOINT FILTER N-3	FILTRE DE JOINT N-3	3								
26	12024996	RACOR EN T 3/4	T-SHAPED FITTING 3/4	T RACCORD 3/4	2								
27	12024396	MANGUITO 3/4	3/4 CONNECTION	MANCHON 3/4	5								



	MONEDERO / COIN SLOT / PORTA-MONNAIE	29
--	--------------------------------------	----

LÁMINA I / I DRAWING / PLAN I

ITEM	REF.	DENOMINACIÓN	DENOMINATION	DÉNOMINATION	A-11	A-14	A-18	A-25	A-35	HASTA / UNTIL / JUSQU'À	DESDE / FROM / DEPUIS	OBSERVACIONES / NOTES / OBSERVATIONS
1	Page 2	ADHESIVO MONEDERO	COIN SLOT STICKER	ADHÉSIF PORTA-MONNAIE	1	1	1	1	1			
2	12130334	CHAPA MONEDERO COMPL.	COIN SLOT PLATE COMPL.	TÔLE PORTA-MONNAIE	1	1	1	1	1			
3	12162010	CAJA MONEDERO A	COIN SLOT BOX A	BOÎTE DE MONNAIE A	1	1	1	1	1			
3	12162011	CAJA MONEDERO B	COIN SLOT BOX B	BOÎTE DE MONNAIE B	1	1	1	1	1			
3	12162012	CAJA MONEDERO C	COIN SLOT BOX C	BOÎTE DE MONNAIE C	1	1	1	1	1			
3	12162013	CAJA MONEDERO D	COIN SLOT BOX D	BOÎTE DE MONNAIE D	1	1	1	1	1			
3	12162014	CAJA MONEDERO E	COIN SLOT BOX E	BOÎTE DE MONNAIE E	1	1	1	1	1			
3	12162015	CAJA MONEDERO F	COIN SLOT BOX F	BOÎTE DE MONNAIE F	1	1	1	1	1			
3	12162016	CAJA MONEDERO G	COIN SLOT BOX G	BOÎTE DE MONNAIE G	1	1	1	1	1			
3	12162017	CAJA MONEDERO H	COIN SLOT BOX H	BOÎTE DE MONNAIE H	1	1	1	1	1			
3	12162018	CAJA MONEDERO I	COIN SLOT BOX I	BOÎTE DE MONNAIE I	1	1	1	1	1			
3	12162019	CAJA MONEDERO J	COIN SLOT BOX J	BOÎTE DE MONNAIE J	1	1	1	1	1			
4	12130337	PORTACAJAS MONEDAS	COIN BOX HOLDER COMPL.	PORTE-BOÎTE DE MONNAIE	1	1	1	1	1			
5	12023342	MONEDERO WH (EUR-GBP)	COIN SLOT WH (EUR-GBP)	PORTA-MONNAIE (EUR-GBP)	1	1	1	1	1			
5	12044494	MONEDERO WH (ARS-CLP-BRL)	COIN SLOT WH (ARS-CLP-BRL)	PORTA-MONNAIE (ARS-CLP-BRL)	1	1	1	1	1			
5	12044490	MONEDERO WH (AUD-NZD-JPY)	COIN SLOT WH (AUD-NZD-JPY)	PORTA-MONNAIE (AUD-NZD-JPY)	1	1	1	1	1			
5	12044488	MONEDERO WH (CNY-TWD-HKD)	COIN SLOT WH (CNY-TWD-HKD)	PORTA-MONNAIE (CNY-TWD-HKD)	1	1	1	1	1			
5	12044496	MONEDERO WH (MAD-DZD-TND)	COIN SLOT WH (MAD-DZD-TND)	PORTA-MONNAIE (MAD-DZD-TND)	1	1	1	1	1			
5	12044489	MONEDERO WH (MYR-SGD-IDR) I	COIN SLOT WH (MYR-SGD-IDR) I	PORTA-MONN (MYR-SGD-IDR) I	1	1	1	1	1			
5	12151342	MONEDERO WH (MYR-SGD-IDR) II	COIN SLOT WH (MYR-SGD-IDR) II	PORTA-MONN (MYR-SGD-IDR) II	1	1	1	1	1			
5	12044492	MONEDERO WH (RUB-ROB-CZK)	COIN SLOT WH (RUB-ROB-CZK)	PORTA-MONNAIE (RUB-ROB-CZK)	1	1	1	1	1			
5	12044491	MONEDERO WH (TRY-PLN)	COIN SLOT WH (TRY-PLN)	PORTA-MONNAIE (TRY-PLN)	1	1	1	1	1			
5	12044487	MONEDERO WH (USD-MXN-CAD)	COIN SLOT WH (USD-MXN-CAD)	PORTA-MONNAIE (USD-MXN-CAD)	1	1	1	1	1			
5	12044493	MONEDERO WH (VEF-PEN-COP)	COIN SLOT WH (VEF-PEN-COP)	PORTA-MONNAIE (VEF-PEN-COP)	1	1	1	1	1			
5	12091584	MONEDERO WH (KRW-PHP-THB)	COIN SLOT WH (KRW-PHP-THB)	PORTA-MONNAIE (KRW-PHP-THB)	1	1	1	1	1			
	12161119	SELECTOR FICHAS	TIKEN SELECTOR	SELECTEUR DE JETON	1	1	1	1	1			

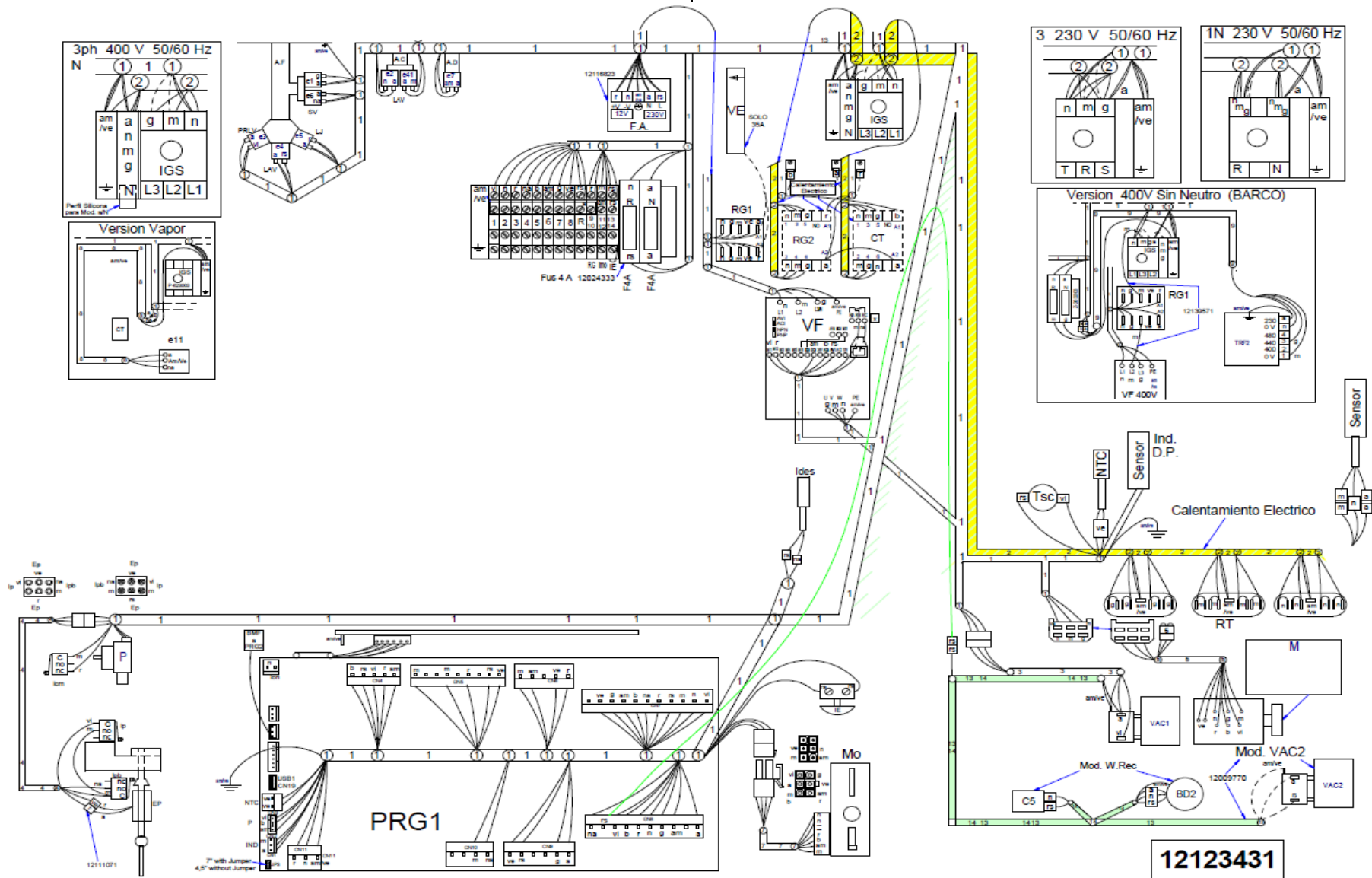


LÁMINA J / J DRAWING / PLAN J

ITEM	REF.	DENOMINACIÓN	DENOMINATION	DÉNOMINATION	A-11	A-14	A-18	A-25	A-35		HASTA / UNTIL / JUSQU'À	DESDE / FROM / DEPUIS	OBSERVACIONES / NOTES / OBSERVATIONS
1	12236035	INSTAL. ELECTRICA 11, 14	ELECT. INSTALLATION 11, 14	INSTALL. ELECTRIQUE 11, 14	1	1	-	-	-				
1	12235678	INSTAL. ELECTRICA 18, 25	ELECT. INSTALLATION 18, 25	INSTALL. ELECTRIQUE 18, 25	-	-	1	1	-				
1	12235946	INSTAL. ELECTRICA 35A, 60B	ELECT. INSTALLATION 35A, 60B	INSTALL. ELECTRIQUE 35A, 60B	-	-	-	-	1				
2	12121936	CABL. CALENTAMIENTO 10, 13	HEATING WIRING 10, 13	CABLE CHAUFFAGE 10,13	1	1	-	-	-				
2	12121907	CABL. CALENTAMIENTO 18	HEATING WIRING 18	CABLE CHAUFFAGE 18	-	-	1	-	-				version E
2	12121901	CABL. CALENTAMIENTO 25	HEATING WIRING 25	CABLE CHAUFFAGE 25	-	-	-	1	-				
2	12121893	CABL. CALENTAMIENTO 35	HEATING WIRING 35	CABLE CHAUFFAGE 35	-	-	-	-	1				
3	12120263	CABLEADO VALVULA VACIADO	DRAIN VALVE WIRING	CABLE DE VIDANGE	1	1	1	1	1				
4	12123236	CABLEADO PUERTA	DOOR WIRING	CABLAGE PORTE	1	1	1	1	1				
7	12240603	CABLEADO MONEDERO EMP 500	COIN SLOT EMP 500 WIRING	CÂBLAGE PORTA-MONNAIE EMP !	1	1	1	1	1				vers. MONEDERO / COIN SLOT / PORTA-MONNAIE
8	12025067	CABLEADO VALVULA VAPOR	STEAM VALVE WIRING	CABLAGE VANNE VAPEUR	1	1	1	1	1				version S
9	12116869	CABLEADO MARINE	MARINE WIRING	CABLAGE MARINE	1	1	1	1	1				version (400III) + BARCO / SHIP / BATEAU

REPUESTOS RECOMENDADOS / RECOMMENDED SPARE PARTS / PIÈCE DE RECHANGE RECOMMANDÉ

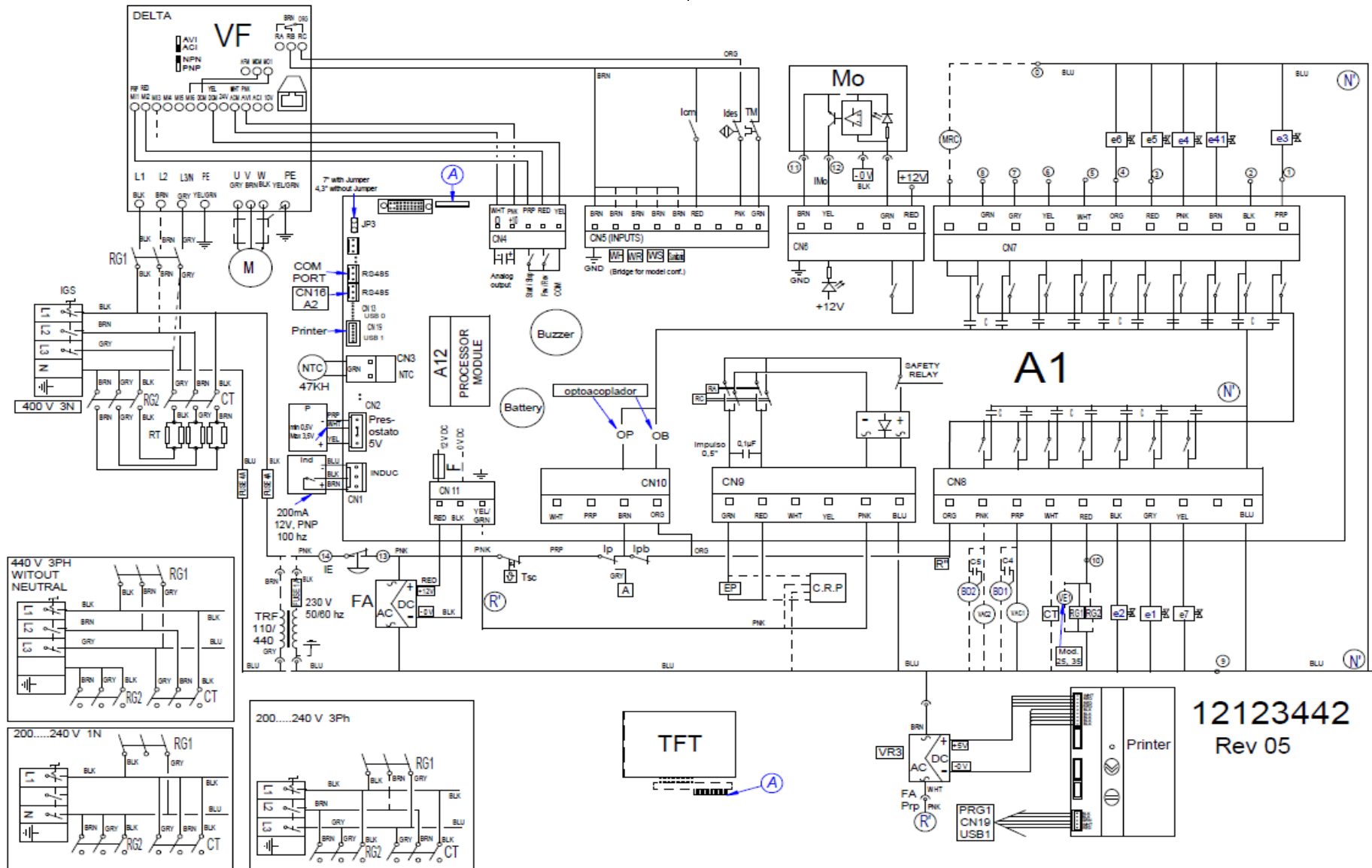
ITEM	REF.	DENOMINACIÓN	DENOMINATION	DÉNOMINATION	A-11	A-14	A-18	A-25	A-35		HASTA / UNTIL / JUSQU'À	DESDE / FROM / DEPUIS	OBSERVACIONES / NOTES / OBSERVATIONS
24	12140743	CIERRE COMPLETO UL 205V	UL 205V LOCK	SERRURE UL 205V	1	1	1	1	1				LÁMINA B / B DRAWING / PLAN B
26	12023284	JUNTA PUERTA	DOOR SEAL	JOINT DE PORTE	1	1	-	-	-				LÁMINA B / B DRAWING / PLAN B
26	12141203	JUNTA PUERTA	DOOR SEAL	JOINT DE PORTE	-	-	1	1	-				LÁMINA B / B DRAWING / PLAN B
26	12048069	JUNTA PUERTA	DOOR SEAL	JOINT DE PORTE	-	-	-	-	1				LÁMINA B / B DRAWING / PLAN B
33	12025215	CASQUILLO PUERTA	DOOR BUSHING	BAGUE PORTE	1	1	1	1	1				LÁMINA B / B DRAWING / PLAN B
34	12040850	MICRORRUPTOR	DOOR-MICRO-SWITCH	MICRORRUPTEUR	1	-	-	-	-				LÁMINA B / B DRAWING / PLAN B
6	12025077	AMORTIGUADOR 120 N	120 N DAMPER	AMORTISSEUR 120 N	4	-	8	-	-				LÁMINA C / C DRAWING / PLAN C
6	12025078	AMORTIGUADOR 90 N	90 N DAMPER	AMORTISSEUR 90 N	-	8	-	-	-				LÁMINA C / C DRAWING / PLAN C
6	12024980	AMORTIGUADOR 140 N	140 N DAMPER	AMORTISSEUR 140 N	-	-	-	8	12				LÁMINA C / C DRAWING / PLAN C
7	12023273	CORREA 8	BELT 8	COURROIE 8	1	-	-	-	-				LÁMINA D / D DRAWING / PLAN D
7	12023269	CORREA 13	BELT 13	COURROIE 13	-	1	-	-	-				LÁMINA D / D DRAWING / PLAN D
7	12023267	CORREA 18	BELT 18	COURROIE 18	-	-	1	-	-				LÁMINA D / D DRAWING / PLAN D
7	12023252	CORREA 25	BELT 25	COURROIE 25	-	-	-	1	-				LÁMINA D / D DRAWING / PLAN D
7	12153177	CORREA 35	BELT 35	COURROIE 35	-	-	-	-	1				LÁMINA D / D DRAWING / PLAN D
13	12025036	SONDA NTC	NTC PROBE	SONDE NTC	1	1	1	1	1				LÁMINA D / D DRAWING / PLAN D
14	12286556	TERMOSTATO DE SEGURIDAD	SAFETY THERMOSTAT	THERMOSTAT DE SÉCURITÉ	1	1	1	1	1				LÁMINA D / D DRAWING / PLAN D
15	12096226	RESISTENCIA 2000W	HEATING ELEMENT 2000W	RÉSISTANCE 2000W	3	-	-	-	-				LÁMINA D / D DRAWING / PLAN D
15	12096023	RESISTENCIA 3000W	HEATING ELEMENT 3000W	RÉSISTANCE 3000W	-	3	-	-	-				LÁMINA D / D DRAWING / PLAN D
15	12096051	RESISTENCIA 4000W	HEATING ELEMENT 4000W	RÉSISTANCE 4000W	-	-	3	-	-				LÁMINA D / D DRAWING / PLAN D
15	12041359	RESISTENCIA 6000W	HEATING ELEMENT 6000W	RÉSISTANCE 6000W	-	-	-	3	-				LÁMINA D / D DRAWING / PLAN D
15	12092855	RESISTENCIA 7000W	HEATING ELEMENT 7000W	RÉSISTANCE 7000W	-	-	-	-	3				LÁMINA D / D DRAWING / PLAN D
16	12023197	MOTOR 750W	750W ENGINE	MOTEUR 750W	1	-	-	-	-				LÁMINA D / D DRAWING / PLAN D
16	12023195	MOTOR 1.1kW	1.1kW ENGINE	MOTEUR 1.1kW	-	1	-	-	-				LÁMINA D / D DRAWING / PLAN D
16	12023194	MOTOR 2.2kW	2.2kW ENGINE	MOTEUR 2.2kW	-	-	1	-	-				LÁMINA D / D DRAWING / PLAN D
16	12172751	MOTOR 4kW	4kW ENGINE	MOTEUR 4kW	-	-	-	1	-				LÁMINA D / D DRAWING / PLAN D
16	12046405	MOTOR 4kW	4kW ENGINE	MOTEUR 4kW	-	-	-	-	1				LÁMINA D / D DRAWING / PLAN D
18	12235968	SENSOR MAGNETICO 12V	12V MAGNETIC SENSOR	CAPTEUR MAGNÉTIQUE	1	1	1	1	1				LÁMINA D / D DRAWING / PLAN D
22	12024477	SENSOR DE DESEQUILIBRIO	IMBALANCE SENSOR	CAPTEUR DE DÉSEQUILIBRE	-	1	1	1	1				LÁMINA D / D DRAWING / PLAN D
11	12134512	JUNTA TORICA PRESOSTATO	PRESSURE CHAMBER O-RING	JOINT TORIQUE PRESSOSTAT	1	1	1	1	1				LÁMINA F / F DRAWING / PLAN F
12	12134660	PRESOSTATO CUBA	TUB PRESSURE CHAMBER	PRESSOSTAT CUVE	1	1	1	1	1				LÁMINA F / F DRAWING / PLAN F
15	12137690	VALVULA DE VACIADO	DRAIN VALVE	VANNE DE VIDANGE	1	1	1	1	1				LÁMINA F / F DRAWING / PLAN F

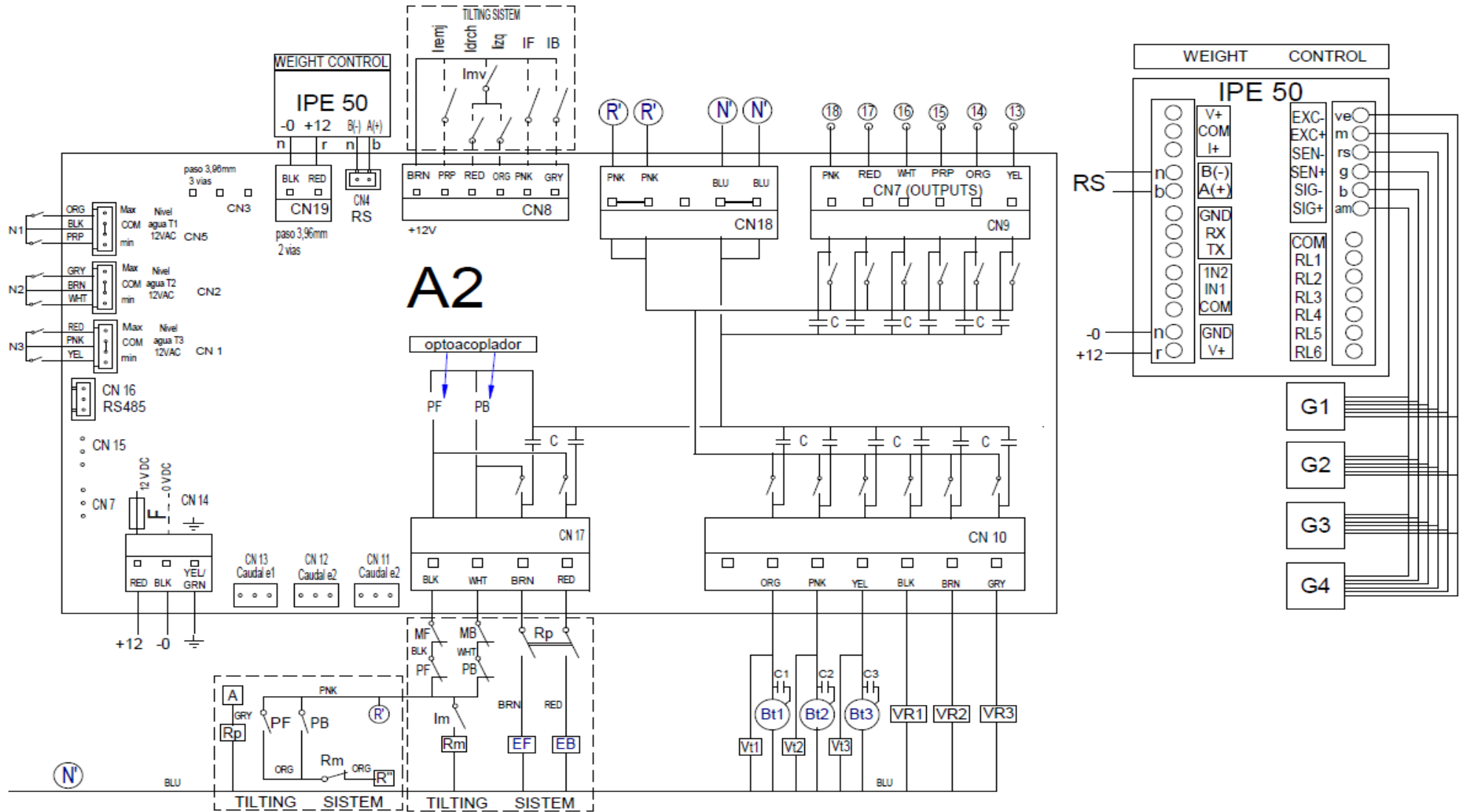
REPUESTOS RECOMENDADOS / RECOMMENDED SPARE PARTS / PIÈCE DE RECHANGE RECOMMANDÉ

ITEM	REF.	DENOMINACIÓN	DENOMINATION	DÉNOMINATION	A-11	A-14	A-18	A-25	A-35		HASTA / UNTIL / JUSQU'À	DESDE / FROM / DEPUIS	OBSERVACIONES / NOTES / OBSERVATIONS
15	12213534	VALVULA DE VACIADO	DRAIN VALVE	VANNE DE VIDANGE	1	1	1	1	1				LÁMINA F / F DRAWING / PLAN F
24	12023340	VALVULA VAPOR 1/2 50/60Hz	STEAM VALVE 1/2 50/60HZ	VALVE VAPEUR 1/2 50/60Hz	1	1	1	-	-				LÁMINA F / F DRAWING / PLAN F
24	12024331	VALVULA VAPOR 3/4" 60Hz	STEAM VALVE 3/4 60HZ	VALVE VAPEUR 3/4 60Hz	-	-	-	1	1				LÁMINA F / F DRAWING / PLAN F
1	12157588	DISPLAY TP 7"	7" TP DISPLAY	DISPLAY TP 7"	1	1	1	1	1				LÁMINA G y H / G and H DRAWING / PLAN G et H
3	12120235	SETA DE EMERGENCIA	EMERGENCY STOP BUTTON	BOUTON D'ARRÊT D'URGENCE	1	1	1	1	1				LÁMINA G y H / G and H DRAWING / PLAN G et H
4	12120238	SOPORTE SETA EMERGENCIA	EMERGENCY STOP SUPPORT	SUPPORT BOUTON D'URGENCE	1	1	1	1	1				LÁMINA G y H / G and H DRAWING / PLAN G et H
5	12120237	PULSADOR EMERGENCIA	EMERGENCY SWITCH	BOUTON D'URGENCE	1	1	1	1	1				LÁMINA G y H / G and H DRAWING / PLAN G et H
6	12168823	TARJETA PRINCIPAL TP2	TP2 MAIN BOARD	CARTE PRINCIPALE TP2	1	1	1	1	1				LÁMINA G y H / G and H DRAWING / PLAN G et H
7	12133373	CABLE USB MACHO-HEMBRA	USB WIRE MALE-FEMALE	CÂBLE MÂLE-FEMELLE	1	1	1	1	1				LÁMINA G y H / G and H DRAWING / PLAN G et H
8	12116803	VARIADOR	INVERTER	VARIATEUR	1	-	-	-	-				LÁMINA G / G DRAWING / PLAN G
8	12214488	VARIADOR BARCO	INVERTER FOR SHIP	VARIATEUR BATEAU	1	-	-	-	-				LÁMINA G / G DRAWING / PLAN G
8	12116804	VARIADOR	INVERTER	VARIATEUR	-	1	-	-	-				LÁMINA G / G DRAWING / PLAN G
8	12214501	VARIADOR BARCO	INVERTER FOR SHIP	VARIATEUR BATEAU	-	1	-	-	-				LÁMINA G / G DRAWING / PLAN G
8	12116805	VARIADOR	INVERTER	VARIATEUR	-	-	1	-	-				LÁMINA G / G DRAWING / PLAN G
8	12214504	VARIADOR BARCO	INVERTER FOR SHIP	VARIATEUR BATEAU	-	-	1	-	-				LÁMINA G / G DRAWING / PLAN G
8	12225365	VARIADOR	INVERTER	VARIATEUR	-	-	-	1	-				LÁMINA G / G DRAWING / PLAN G
8	12214507	VARIADOR BARCO	INVERTER FOR SHIP	VARIATEUR BATEAU	-	-	-	1	-				LÁMINA G / G DRAWING / PLAN G
9	12024040	CONTACTOR	CONTACTOR	CONTACTEUR	2	2	2	-	-				LÁMINA G / G DRAWING / PLAN G
9	12041014	CONTACTOR 4 VIAS	4 WAY CONTACTOR	CONTACTOR 4VOIES	-	-	-	2	2				LÁMINA G y H / G and H DRAWING / PLAN G et H
10	12024011	CONTACTOR4 VIAS	4 WAY CONTACTOR	CONTACTOR 4VOIES	1	1	1	1	1				LÁMINA G y H / G and H DRAWING / PLAN G et H
11	12131303	PROCESADOR	PROCESSOR	PROCESSEUR	1	1	1	1	1				LÁMINA G y H / G and H DRAWING / PLAN G et H
12	12128262	SENSOR DE PRESION	PRESSURE SENSOR	CAPTEUR DE PRESSION	1	1	1	1	1				LÁMINA G y H / G and H DRAWING / PLAN G et H
13	12024696	MICRORRUPTOR PUERTA	DOOR MICROSWITCH	MICRORUPTEUR PORTE	1	1	1	1	1				LÁMINA G y H / G and H DRAWING / PLAN G et H
14	12116823	TRANSFORMADOR	TRANSFORMER	TRANSFORMATEUR	1	1	1	1	1				LÁMINA G y H / G and H DRAWING / PLAN G et H
28	12023921	ELECTROVALVULA 3 VIAS	3 WAY SOLENOID VALVE	ELECTROVANNE 3 VOIES	1	1	1	1	1				LÁMINA G y H / G and H DRAWING / PLAN G et H
28A	12097038	REGULADOR 3L NEGRO	3L BLACK REGULATOR	RÉGULATEUR NOIRE 3L	2	2	2	2	2				LÁMINA G y H / G and H DRAWING / PLAN G et H
29	12025161	ELECTROVALVULA SIMPLE	SIMPLE SOLENOID VALVE	ELECTROVANNE SIMPLE	1	1	1	1	1				LÁMINA G y H / G and H DRAWING / PLAN G et H
30	12023794	ELECTROVALVULA 2 VIAS	2 WAY SOLENOID VALVE	ELECTROVANNE 2 VOIES	2	2	2	2	-				LÁMINA G / G DRAWING / PLAN G
34	12024106	VENTILADOR 36kW	FAN 36kW	VENTILATEUR 36kW	-	-	-	1	1				LÁMINA G y H / G and H DRAWING / PLAN G et H
A1	12120814	TARJETA AUXILIAR TP	TP AUXILIARY BOARD	CARTE AUXILIARE TP	1	1	1	1	1				LÁMINA G y H / G and H DRAWING / PLAN G et H
B1	12151431	CONTROL TARJETA 1 RELE	1 RELAY CONTROL CARD	CONTRÔLE CARTE 1 REL	1	1	1	1	1				LÁMINA G y H / G and H DRAWING / PLAN G et H

REPUESTOS RECOMENDADOS / RECOMMENDED SPARE PARTS / PIÈCE DE RECHANGE RECOMMANDÉ

ITEM	REF.	DENOMINACIÓN	DENOMINATION	DÉNOMINATION	A-11	A-14	A-18	A-25	A-35		HASTA / UNTIL / JUSQU'À	DESDE / FROM / DEPUIS	OBSERVACIONES / NOTES / OBSERVATIONS
8	12134026	VARIADOR 5,5kW 230V	INVERTER 5,5kW 230V	VARIATEUR 5,5kW 230V	-	-	-	-	1				LÁMINA H / H DRAWING / PLAN H
8	12131830	VARIADOR 5,5kW 400V	INVERTER 5,5kW 400V	VARIATEUR 5,5kW 400V	-	-	-	-	1				LÁMINA H / H DRAWING / PLAN H
30	12044532	ELECTROVALVULA + BOBINA	SOLENOID VALVE + COIL	ELECTROVANNE + BOBINE	-	-	-	-	3				LÁMINA H / H DRAWING / PLAN H





Simb / LENG		ESPAÑOL	ENGLISH	FRANÇAIS
1 ... 8	=	Puntos conexión dosificadores.	Feeder connection points	Points raccordement doseurs
6	=	Dosificador jabon liquido.	Liquid soap feeder	Doseur lessive liquide
7,8,13,14,15,16,17,18	=	Dosificador aditivos.	Additive feeder	Doseur additifs
9 - 10	=	Lavadora Ocupada	Washer Busy	Laveuse Occupé
11 - 12	=	Entrada moneda	Coin inputs	Entrées Monnaies
A1, A2	=	Circuito Programador.	Input/Output Board	Circuit Programmeur
A12	=	Modulo Procesador	Processor Module	Module de processeur
BD1, BD2	=	Bomba de Desague	Drain Pump	Pompe de vidange
Bt1, Bt2, Bt3	=	Bomba de vaciado de tanque externo W REC	Drain Pump external tank W REC	Pompe de vidange de réservoir externe W REC
C1, C2, C3, C4, C5	=	Condensador	Capacitor	Condensateur
CT	=	Contacto Calentamiento	Heating Contactor	Contacteur Chauffe
CRP	=	Circuito Retardo Apertura de Puerta	Delay circuit Door Open	Le circuit de retard d'ouverture de porte
D.T.	=	Display/Teclado	Display/Keyboard	Écran/Clavier
e1	=	Electro válvula agua Fria.	Cold water electrically operated valve	Électrovanne eau Froide
e11	=	Electro válvula Vapor.	Steam electrically operated valve	Électrovanne Vapeur
e12	=	Dosificador Neutralizante.	Neutralizer feeder	Doseur Neutralisant
e2	=	Electro válvula agua Caliente	Hot water electrically operated valve	Électrovanne eau Chaude
e3	=	Electro válvula Prelavado.	Pre-wash electrically operated valve	Électrovanne Prélavage
e4	=	Electro válvula Lavado agua Fria	Cold water Washing electrically operated valve	Électrovanne lavage à l'eau froide
e41	=	Electro válvula Lavado agua Caliente	Hot water Washing electrically operated valve	Électrovanne lavage à l'eau chaude
e5	=	Electro válvula Lejía.	Bleach electrically operated valve.	Électrovanne Eau de Javel
e6	=	Electro válvula Suavizante.	Fabric softener electrically operated valve	Électrovanne Assouplissant
e7	=	Electro válvula agua Descalcificada	Delimed water electrically operated valve	Électrovanne eau Adoucie
EB	=	Electro válvula de aire Basculacion Trasera	Air Valve of the Back Tilting	Soupape à air de l'inclinaison arrière
EF	=	Electro válvula de aire Basculacion Frontal	Air Valve of the Front Tilting	Soupape à air de l'inclinaison avant
EP	=	Electroimán de Puerta	Door electric magnet	Électro-aimant de Porte
EPP	=	Electro válvula de aire Puerta	Air Valve of the Gate	Soupape à air de porte
F	=	Fusible.	Fuse	Fusible
FA	=	Fuente Alimentacion	Power Supply	Source De Courant
FAPrp	=	Fuente Alimentacion Impresora	Pprinter Power Supply	Source De Courant imprimante
FI	=	Filtro de Interferencias.	Interference filter	Filtre Anti-parasites
G1, G2, G3, G4	=	Galgas para Pesaje	Gauges for Weighing	Jauges de peser
IB	=	Interruptor Basculacion Trasero del Mando.	Back Tilting Switch of Control	Commutateur de inclinaison arrière de commande
Icm	=	Interruptor de Servicio	Service Switch	Interrupteur de Service
Ides	=	Interruptor de desequilibrio.	Unbalance switch	Interrupteur de balourd
ldrch	=	Interruptor Rotacion a Derechas del Mando	Switch of Spins to the Right of Control	Commutateur des rotations à la droite de la commande
IE	=	Pulsador Parada de emergencia.	Emergency stop push button	Bouton-poussoir Arrêt d'urgence
IF	=	Interruptor Basculacion Frontal Mando.	Front Tilting Switch of Control	Front Tilting Switch of Contrôle
IG	=	Interruptor general.	Power On	Interrupteur général
IGS	=	Interruptor General de seguridad.	Disconnect Switch	interrupteur Général de sécurité
lizq	=	Interruptor Rotacion a Izquierdas Mando	Switch of Left Spin of Control	Commutateur de rotation gauche de commande
Im	=	Sensor de movimiento	Stopped Motion Switch	Détecteur D'arrêt
Imv	=	Accionamiento de Movimiento / Mando	Drive Motion / Command	Mouvement de route / Command
IMo	=	Interruptor Monedero.	MMO Coin Input	Interrupteur Monnayeur
Ind	=	Sensor Inductivo	Inductive sensor	Capteur inductif
Ip	=	Interruptor puerta Cerrada.	Closed door switch	Interrupteur porte Fermée
Ipp	=	Interruptor puerta bloqueada.	Door lock switch	Interrupteur porte verrouillée
IPE 50	=	Control para pesaje	Weight control	Contrôler pour peser
Iremj	=	Interruptor de Remojo del Mando	Soaking Switch of Control	Commutateur de trempage de commande
Iv	=	Interruptor Vapor	Steam Switch	Commutateur de vapeur
M	=	Motor.	Motor	Moteur
MB	=	Interruptor seguridad Basculacion Trasero.	Back Tilting Hi-limit Switch	Interrupteur de sécurité arrière inclinable.
MF	=	Interruptor seguridad Basculacion Frontal.	Front Tilting Hi-limit Switch	Interrupteur de sécurité Frontale inclinable.
Mo	=	Monedero.	coin meter pwr 24vac	Porte-monnaie
MRC	=	Motobomba de Recirculacion	Recirculation pump	Motopompe à recirculation
N1, N2, N3	=	Interruptor de nivel W REC	Water Level Switch W REC	Interrupteur de niveau d'eau W REC
NTC	=	Sensor temperatura.	Temperature sensor	Capteur température
P, P2	=	Presostato Nivel de agua	Water Level Switch	Détecteur de niveau d'eau
PB	=	Presostato Basculacion Trasero	Back Tilting Air Pressure Low-Limit	Pressostat inclinaison arrière
PF	=	Presostato Basculacion Frontal	Front Tilting Air Pressure Low-Limit	Pressostat inclinaison Frontale
PP	=	Presostato Cierre Neumatico Puerta	Pressure switch Pneumatic closing Door	Pressostat Fermeture Pneumatique Porte
Printer	=	Impresora	Printer	Imprimante
PTC	=	PTC	PTC	PTC
R	=	Resistencia Homica	Ohmic resistance	Résistance ohmique
RG1, RG2	=	Contacto General	General Contactor	Contacteur général
Rm	=	Rele movimiento / Parada	Stopped Motion Relay	Relais Détecteur D'arrêt
Rmo	=	Rele de Monedero	Coin meter relay	Relais de Porte-monnaie
Rp	=	Rele puerta Cerrada.	Closed door Relay	Relais porte Fermée
Rpb	=	Rele puerta bloqueada.	Door lock Relay	Relais porte verrouillée
RT	=	Resistencia Calentamiento.	Heating Elements	Résistance Chauffe
Tm	=	Térmico de Motor.	Motor Thermal Overload	Thermique du Moteur
Trf	=	Transformador	Transformer	Transformateur
Trf s/N	=	Transformador Versión sin Neutro.	Transformer Version without Neutral	Transformateur Version sans Neutre
Tsc	=	Termostato seguridad calentamiento	Hi-limit Thermostat	Thermostat Limiteur
VAC1, VAC2	=	Válvula Vaciado	Drain Valve	Vanne Vidange
VE, VE1, VE2	=	Ventilador.	Fan	Ventilateur
VF	=	Convertidor de Frecuencia.	Variable Frequency Drive	Convertisseur de Fréquence
VM	=	Ventilador Motor.	Fan motor	Ventilateur Moteur
VR1, VR2, VR3	=	Valvula Llenado del tanque externo W REC	Valve filling external tank W REC	Vanne de remplissage de réservoir externe W REC
Vt1, Vt2, Vt3	=	Valvula Vaciado de tanque externo W REC	Drain Valve external tank W REC	Vanne de vidange de réservoir externe W REC
COLOR	=	COLORES	COLOUR	COULEURS
BLK, bk, n	=	Negro	Black	Noir
BLU, bl, a	=	Azul	Blue	Bleu
BRN, bn, m	=	Marrón	Brown	Marron
GRN, gn, ve	=	Verde	Green	Vert
GRY, gy, g	=	Gris	Grey	Gris
ORG, or, na	=	Naranja	Orange	Orange
PNK, pk, rs	=	Rosa	Pink	Rose
PRP, pr, vi	=	Violeta	Purple	Violet
RED, rd, r	=	Rojo	Red	Rouge
WHT, wh, b	=	Blanco	White	Blanc
YEL, yw, am	=	Amarillo	Yellow	Jaune
YEL/GRN, am/ve	=	Amarillo/verde	Yellow / green	Jaune / vert