

**Applications**

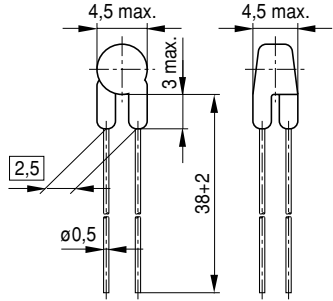
- Heating systems
- Automotive electronics

**Features**

- Favorable price/ performance ratio
- Rugged design, epoxy resin encapsulation
- Leads: copper-clad Fe wire, tinned
- UL approved type (up to 125 °C operating temperature)

**Delivery mode**

Bulk (standard),  
cardboard tape, reeled or in Ammo pack



TNT0391-S

Dimensions in mm  
Approx. weight 0,2 g

Climatic category (IEC 60068-1)		55/155/56	
Max. power at 25 °C	$P_{25}$	200	mW
Resistance tolerance	$\Delta R_N/R_N$	$\pm 1 \%, \pm 3 \%, \pm 5 \%$	
Rated temperature	$T_N$	25	°C
Dissipation factor (in air)	$\delta_{th}$	approx. 4,0	mW/K
Thermal cooling time constant (in air)	$\tau_c$	approx. 15	s
Heat capacity	$C_{th}$	approx. 60	mJ/K

$R_{25}$	No. of R/T characteristic	$B_{25/100}$	$\Delta B/B$	Ordering code
$\Omega$		K	%	
2,2 k	1008	3560	$\pm 1,5$	B57891S0222+008
5 k	2003	3980	$\pm 1,0$	B57891S0502+008
10 k	4901	3950	$\pm 1,0$	B57891S0103+008
20 k	2904	4300	$\pm 1,0$	B57891S0203+008
100 k	4003	4450	$\pm 1,0$	B57891S0104+008

+: F for  $\Delta R_N/R_N = \pm 1 \%$   
 H for  $\Delta R_N/R_N = \pm 3 \%$   
 J for  $\Delta R_N/R_N = \pm 5 \%$

**Reliability data**

Test	Standard	Test conditions	$\Delta R_{25}/R_{25}$ (typical)	Remarks
Storage in dry heat	IEC 60068-2-2	Storage at upper category temperature <i>T</i> : 155 °C <i>t</i> : 1000 h	< 3 %	No visible damage
Storage in damp heat, steady state	IEC 60068-2-3	Temperature of air: 40 °C Relative humidity of air: 93 % Duration: 56 days	< 1 %	No visible damage
Rapid temperature cycling	IEC 60068-2-14	Lower test temperature: – 55 °C Upper test temperature: 155 °C Number of cycles: 100	< 1 %	No visible damage
Long-term stability (empirical value)		Temperature: 70 °C <i>t</i> : 10 000 h	< 3 %	No visible damage

zuholen.

**Published by EPCOS AG**

**Corporate Communications, P.O. Box 80 17 09, 81617 Munich, GERMANY**

**☎ ++49 89 636 09, FAX (0 89) 636-2 26 89**

© EPCOS AG 2002. Reproduction, publication and dissemination of this brochure and the information contained herein without EPCOS' prior express consent is prohibited.

Purchase orders are subject to the General Conditions for the Supply of Products and Services of the Electrical and Electronic Industry recommended by the ZVEI (German Electrical and Electronic Manufacturers' Association), unless otherwise stated.

This brochure replaces the previous edition.

For questions on technology, prices and delivery please contact the Sales Offices of EPCOS AG or the representatives of the local sales offices.

Due to technical requirements components may contain dangerous substances. For information on the handling of these components please contact one of our Sales Offices.